



# Heaters 25-150W



## HT.000

### COMPACT PTC HEATERS

Compact PTC heaters series with minimum DIN rail foot-print. Terminal connection.

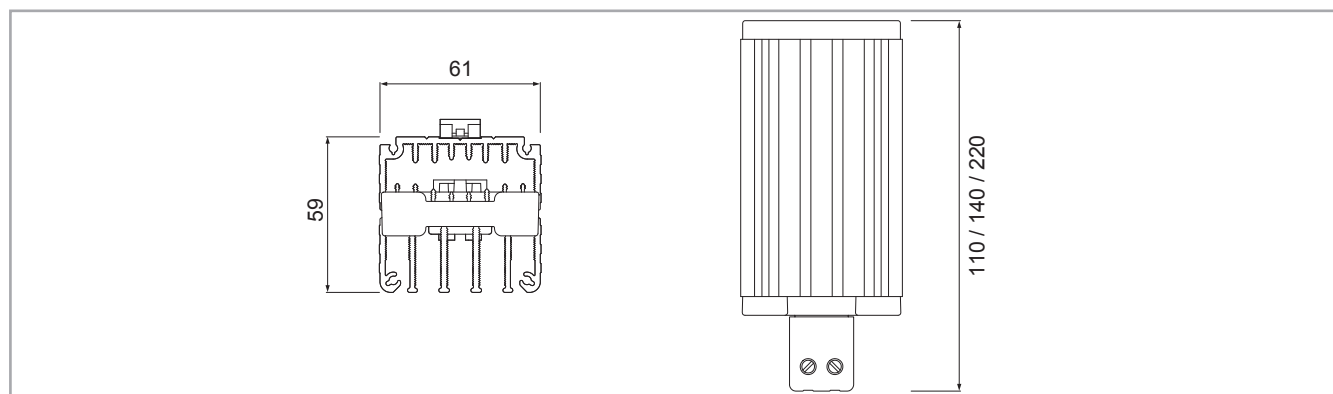


FEATURES	Unit	HT25.000	HT50.000	HT75.000	HT100.000	HT150.000
Heating Capacity*	W	25	50	75	100	150
Power supply	V	120-240V AC/ DC				
Inrush current	A	2.5	3.5	4	5	9.5
Delayed fuse (advised)	A	4	4	6.3	8	10
Heating element type	-	PTC resistor, self-regulation				
Electrical connections	-	screw terminals for stranded or rigid wire 2.5 mm <sup>2</sup>				
Protection class	-	Class II				
Protection degree EN60529	-	IP20				
Operating temperature	°C (°F)	-45 / +70 (-49 / +158)				
Storage temperature	°C (°F)	-45 / +80 (-49 / +176)				
Radiator	-	Extruded aluminium profile				
Mounting	-	Clip for mounting on DIN rail 35 mm EN50022				
Installation position	-	Best efficiency in vertical position				
Dimensions HxWxD	mm	110x61x59		140x61x59		220x61x59
Weight (with packaging)	Kg	0.25 (0.28)		0.32 (0.36)		0.57 (0.62)
Conformity/Certification	-	CE – UL  us File n. E301228				

\*at 10°C (50°F) ambient temperature

#### Accessories

Thermostat NC 0-60°C	THR2
Double thermostat NC 0-60°C NO 0-60°	THR22
Hygrothermostat 0-60°C 20-90%RH	ETUH22.AA0
Hygrostat 10-90%RH	MUH



Specifications, values and drawings are subject to change without notice.