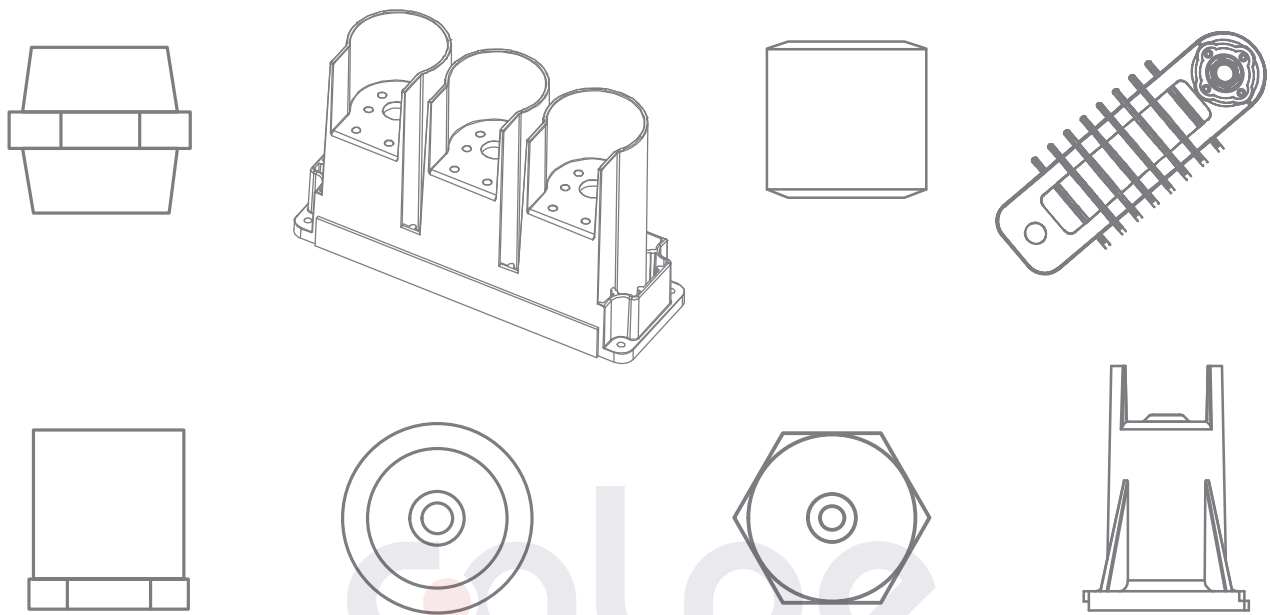


Material Data

- Glassfiber reinforced polyester (UP), glass content 18%
- Self-extinguishing, halogen free, RoHS-compliant



Specific weight	ASTM D-792, DIN 53479	1.80 g/cm ³
Heat Distortion Temperature	ISO 75	> 200°C
Flexural strength	DIN EN ISO 178	90 N/mm ²
Impact strength	DIN EN ISO 179	25-30 kJ/m ²
Flammability	UL 94	V0
Glow-Wire Flammability	DIN EN 60695	960°C
Temperature range		-40°C +130°C
Surface resistivity	DIN IEC 60093	10 ¹² Ω
Volume resistivity	DIN IEC 60093	10 ¹⁴ Ωcm
Dielectric strength	DIN EN 60243-1	15-18 kV/mm
Tracking resistance	DIN IEC 60112	CTI 600
Water absorption	DIN EN ISO 62	< 0.2 % (<25 mg)

All data given have been determined with standardized test specimens according to applicable material standards. Data and information are given only as a guide and are not binding. No guarantee can be assumed in all situations.

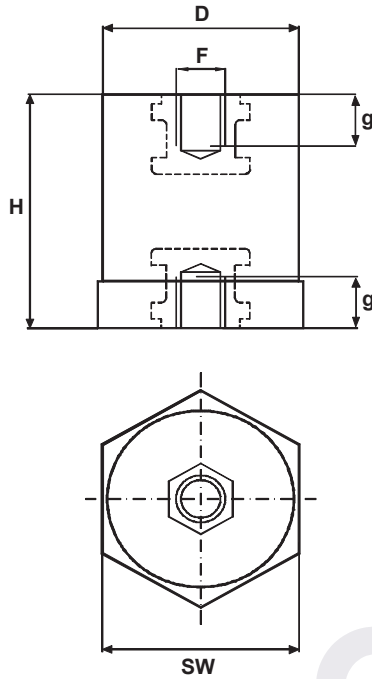
LV INSULATORS

TYPE SR

Colour: Red

Technical Data

▪ **Threads:** steel zinc coated



Type	Dimensions (mm)					Service Voltage AC kV	Service Voltage DC kV	Test Voltage AC kV	Bending Strength kN	Tensile Strength kN	Max. Tightening Torque Nm	Torque Strength Nm	Weight kg/100 pcs.	Box Qty.
	H	F	SW	D	g									
SR-202108	20	M8	21	20	5	0.4	0.5	3	2.5	4	10	20	1.80	125
SR-252106	25	M6	21	20	8	0.6	0.8	6	1.8	4	4.5	20	2.25	100
SR-252108		M8			8						14	2.20		
SR-302106	30	M6	21	20	10	0.6	0.8	8	1.5	4	4.5	20	3.10	140
SR-302108		M8			10						14	2.95		
SR-303006	30	M6	30	30	6	0.75	0.9	8	4.5	9	12	20	5.50	80
SR-303008		M8			8						20	40	5.60	
SR-303010		M10			9						30	40	5.70	
SR-304108	30	M8	41	40	9	0.75	0.9	8	7.5	10	20	40	9.20	45
SR-304110		M10			9						20	35	9.30	
SR-402106	40	M6	21	20	10	0.75	0.9	8	1.5	4	4.5	20	3.90	110
SR-402108		M8			10						20	4.10		
SR-403006	40	M6	30	30	8	1	1.2	10	3	9	12	20	7.20	60
SR-403008		M8			10						25	7.30		
SR-404108	40	M8	41	40	10	1	1.2	10	7	10	20	30	12.00	27
SR-404110		M10			12						75	13.00		
SR-404112		M12			12						60	13.00		
SR-453006	45	M6	30	30	8	1	1.2	10	3	9	12	20	8.60	48
SR-502106	50	M6	21	20	10	0.75	0.9	10	1	4	4.5	20	4.30	70
SR-503006	50	M6	30	30	8	1.5	1.8	10	2	9	12	20	12.40	48
SR-503008		M8			10						40	12.70		
SR-503010		M10			14						40	13.20		
SR-504108	50	M8	41	40	10	1.5	1.8	10	5	10	20	30	13.50	27
SR-504110		M10			12						75	15.50		
SR-602106	60	M6	21	20	10	0.75	0.9	10	1	5	4.5	20	5.20	70
SR-603006	60	M6	30	30	10	1.5	1.8	15	1.5	9	12	20	12.70	40
SR-603008		M8			15						25	12.80		
SR-604110	60	M10	41	40	14	1.5	1.8	15	4	16	40	75	18.00	18
SR-604112		M12			18						105	18.10		
SR-806010	80	M10	60	60	18	5	6	25	9	26	40	100	53.00	8
SR-806012		M12			20						100	53.60		