

- 16A to 1600A ratings
- Versions: direct operating handle, door coupling, door mount and in enclosure
- Wide range of accessories
- Type for photovoltaic applications up to 850A, 1000VDC (DC21B)
- Switch disconnectors and changeover switches in plastic, metal and stainless steel AISI 304 enclosure.

	SEC. - PAGE
GA series 16A to 160A	
Three-pole switch disconnectors	12 - 9
Fourth pole add-on.....	12 - 9
Add-on blocks and accessories	12 - 11
Assembled changeover switches	12 - 17
Switch disconnectors complete with shaft extension, door-coupling handle and terminal covers	12 - 17
Empty plastic enclosures	12 - 18
Switch disconnectors in plastic enclosure	12 - 19
Changeover switches in plastic enclosure	12 - 21
Switch disconnectors in metal enclosure	12 - 23
Changeover switches in metal enclosure	12 - 24
Switch disconnectors in stainless steel AISI 304 enclosure	12 - 24
Empty metal enclosures	12 - 25
GL series 160A to 630A	
Three-pole switch disconnectors	12 - 30
Fourth pole add-on.....	12 - 30
Three and four-pole changeover switches	12 - 31
Add-on blocks and accessories	12 - 32
Switch disconnectors in metal enclosure	12 - 34
Changeover switches in metal enclosure	12 - 35
GE series 50A to 1600A	
Three-pole switch disconnectors	12 - 36
Three-pole switch disconnectors with fuse holder	12 - 36
Four-pole switch disconnectors	12 - 37
Four-pole switch disconnectors with fuse holder	12 - 37
Three-pole changeover switches	12 - 38
Four-pole changeover switches	12 - 38
Add-on blocks and accessories	12 - 39
GM series 30A to 800A	
Three-pole disconnect switches with fuse holder (UL98)	12 - 44
Add-on blocks and accessories	12 - 44
For photovoltaic applications	12 - 46
Dimensions	12 - 48
Wiring diagrams	12 - 61
Technical characteristics	12 - 64



Page 12-8

**GA SERIES
16A TO 160A (AC21A)**

- UL60947-4-1 and UL98 certified three-pole switch disconnectors; add-on fourth pole available
- Switch disconnectors with direct operating handle and door coupling version
- Switch disconnectors door mount version
- Switch disconnectors in plastic, metal and AISI 304 stainless-steel enclosure
- Changeover switches in plastic and metal enclosure.



Page 12-26

**GL SERIES
160A TO 630A (AC23A)**

- IEC and UL98 certified three-pole switch disconnectors; add-on fourth pole available
- IEC and UL1008 certified changeover switches
- Switch disconnectors with direct operating handle and door coupling version
- Changeover switches with direct operating handle and door coupling version
- Switch disconnectors in metal enclosure
- Changeover switches in metal enclosure.



Page 12-36

**GE SERIES
50A TO 1600A (AC21A)**

- IEC version three and four-pole switch disconnectors
- IEC version three and four-pole switch disconnectors with NFC, NH and BS type fuse holders
- Switch disconnectors with direct operating handle and door coupling version
- Three and four-pole changeover switches; add-on motorised control unit available.



Page 12-44

**GM SERIES
30A TO 800A (AC21A)**

- UL98 certified three-pole switch disconnectors with CC, J and L type fuse holders
- Switch disconnectors with fuse holders direct operating and door coupling versions.



Page 12-46

**FOR PHOTOVOLTAIC APPLICATIONS
UP TO 850A 1000VDC (DC21B)**

- Switch disconnectors
- Direct operating and door coupling versions
- Switch disconnectors in non-metallic enclosure
- Connection of 2, 3, 4 poles in series.



12 Switch disconnectors

Overview



GA series 16A to 160A



	DIRECT OPERATING HANDLE AND DOOR COUPLING VERSION											DOOR MOUNT VERSION										
	36mm/1.42" width					70mm/2.75" width						36mm/1.42" width					70mm/2.75" width					
AC21A (IEC/EN/BS)	16A	25A	32A	40A	63A	30A	63A	80A	100A	125A	160A	16A	25A	32A	40A	63A	30A	63A	80A	100A	125A	160A
GENERAL USE 600VAC (UL/CSA)	16A	25A	32A	40A	60A	30A	60A	100A	100A	100A	-	16A	25A	32A	40A	-	30A	60A	100A	100A	100A	-
SWITCH DISCONNECTORS																						
Certifications	UL60947-4-1																					
	UL98																					
Three-pole	●	●	●	●	●	●	●	●	●	●	●	●	●	●	●	●	●	●	●	●	●	●
4th pole - simultaneous closing		●			●	●	●	●	●	●	●		●				●	●	●	●	●	●
4th pole - early make		●			●			●					●						●			
Fuse holder 10x38mm		●																				
Fuse holder 10x38mm type CC	●																					
Mechanical 6-8 pole coupling system			●					●														
Mechanical interlock for line switching			●					●														
ASSEMBLED CHANGEOVER SWITCHING																						
Three-pole IEC/EN/BS		●		●	●			●		●	●											
Four-pole IEC/EN/BS		●		●	●			●		●	●											



	PLASTIC ENCLOSED VERSION WITH RED/YELLOW OR BLACK HANDLE											METAL ENCLOSED VERSION WITH RED/YELLOW OR BLACK HANDLE									
	AC21A (IEC/EN/BS)	16A	25A	32A	40A	63A	63A	80A	100A	125A	160A	16A	25A	32A	40A	63A	63A	80A	100A	125A	160A
GENERAL USE 600VAC (UL/CSA)	16A	25A	32A	40A	60A	60A	100A	100A	100A	-	-	-	-	-	-	-	-	-	-	-	
SWITCH DISCONNECTORS																					
Three-pole IEC/EN/BS	●	●	●	●	●	●	●	●	●	●	●	●	●	●	●	●	●	●	●	●	●
Four-pole IEC/EN/BS	●		●	●	●	●		●	●	●	●		●	●	●	●		●	●	●	●
Three-pole UL 60947-4-1	●	●	●	●	●																
Three-pole UL98						●	●	●	●												
Four-pole UL 60947-4-1	●		●																		
Four-pole UL98						●		●	●												
CHANGEOVER SWITCHING																					
Three-pole IEC/EN/BS												●		●	●		●		●	●	●
Four-pole IEC/EN/BS												●		●	●		●		●	●	●
Three-pole UL 60947-4-1		●		●	●																
Three-pole UL98							●		●												
Four-pole UL 60947-4-1		●		●	●																
Four-pole UL98							●		●												



	STAINLESS STEEL AISI 304 ENCLOSED VERSION WITH RED/YELLOW OR BLACK HANDLE						
AC21A (IEC/EN/BS)	16A	25A	32A	40A	63A	63A	100A
SWITCH DISCONNECTORS							
Three-pole IEC/EN/BS	●	●	●	●	●	●	●



12 Switch disconnectors

Overview



GL series 160A to 630A



	DIRECT OPERATING HANDLE AND DOOR COUPLING VERSION									METAL ENCLOSED VERSION WITH RED/YELLOW OR BLACK HANDLE			
AC21A (IEC/EN/BS)	160A	200A	200A	250A	315A	320A	400A	500A	630A	160A	200A	250A	315A
GENERAL USE 600VAC (UL/CSA)	-	100A	200A	-	-	-	400A	-	-	-	-	-	-
SWITCH DISCONNECTORS													
Three-pole IEC/EN/BS	●		●	●	●	●	●	●	●	●	●	●	●
Three-pole UL98		●	●				●						
4th pole - simultaneous closing					●					●	●	●	●
CHANGEOVER SWITCHES													
Three and four-pole IEC/EN/BS	●		●	●	●	●	●	●	●	●	●	●	●
Three and four-pole UL1008		●	●				●						

GE series 50A to 1600A



	DIRECT OPERATING AND DOOR COUPLING VERSION																
AC21A (IEC/EN/BS)	50A	125A	160A	200A	250A	315A	400A	500A	630A	800A	1000A	1250A	1600A	2000A	2500A	3150A	
SWITCH DISCONNECTORS 50A...1600A																	
Three and four-pole			●	●	●	●	●	●	●	●	●	●	●				
Three and four-pole with NFC fuse holder	●	●															
Three and four-pole with NH fuse holder			●		●		●		●		●						
Three and four-pole with BS fuse holder			●	●	●	●	●	●	●	●	●						
Four-pole for photovoltaic applications		●			●	●			●	●		●					
CHANGEOVER SWITCHES 160A...3150A																	
Three and four-pole			●	●	●	●	●	●	●	●	●	●	●	●	●	●	●
Motorised control unit			●			●			●		●	●	●	●	●	●	●

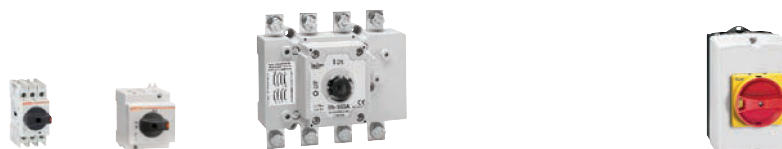
12

GM series 30A to 800A



	DIRECT OPERATING AND DOOR COUPLING VERSION						
GENERAL USE 600VAC (UL/CSA)	30A	60A	100A	200A	400A	600A	800A
DISCONNECT SWITCHES WITH FUSE HOLDERS 30A...800A							
UL98 three-pole disconnect switches with CC type fuse holders	●						
UL98 three-pole disconnect switches with J type fuse holders	●	●	●	●	●	●	
UL98 three-pole disconnect switches with L type fuse holders							●

For photovoltaic applications



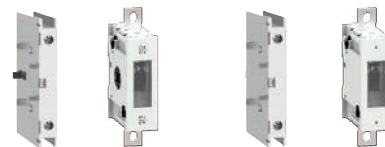
	DIRECT OPERATING AND DOOR COUPLING VERSION										PLASTIC ENCLOSED VERSION WITH RED/YELLOW OR BLACK HANDLE		
CONVENTIONAL THERMAL CURRENT I _{th} DC21B (800V)	15A	25A	32A	40A	125A	250A	280A	600A	630A	1000A	25A	32A	40A
Switch disconnectors GA series	●												
Switch disconnectors GD series		●	●	●							●	●	●
Four-pole switch disconnectors GE series				●	●	●	●	●	●	●			



12 Switch disconnectors



Summary table of combinations - Switch disconnectors



Type	Direct operating or door coupling	Door mounting	IEC conventional free air thermal current Ith AC21A (≤690V)	IEC rated operational current Ie			General purpose current (UL)	Max 3-phase horse-power rating (UL)	IEC reactive power for control of capacitors 400V	Fourth pole		Neutral terminal	
				AC23A (400V)	AC23A (500V)	AC23A (690V)				Direct operating or door coupling	Door mounting	Direct operating or door coupling	Door mounting
Order code	Order code	[A]	[A]	[A]	[A]	[A]	[HP/V]	[kvar]	Order code	Order code	Order code	Order code	

IEC/EN/BS and UL60947-4-1 three-pole switch disconnectors.

GA016A	GA016C	16	16	16	16	16	5/240 10/480 10/600	7.5	GAX42040A GAX41040A	GAX42040C GAX41040C	GAX31A	GAX31C
GA025A	GA025C	25	25	25	25	7.5/240 15/480 20/600	10					
GA032A	GA032C	32	32	25	25	10/240 20/480 20/600	12.5					
GA040A	GA040C	40	40	25	25	15/240 20/480 25/600	15					
GA063SA	GA063SC	63	45	25	25	60	15/240 30/480 32/600	15	GAX42063SA GAX41063SA	GAX42063SC		

IEC/EN/BS and UL98 three-pole switch disconnectors.

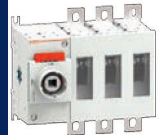
GA030A	GA030C	30	30	30	30	30	10/240 20/480 30/600	12.5	GAX42063A GAX41125A	GAX42063C GAX41125C	GAX32A	GAX32C
GA063A	GA063C	63	63	63	47	60	20/240 40/480 40/600	25				
GA080A	GA080C	80	80	63	47	100	25/240 40/480 40/600	30	GAX42080A GAX41125A	GAX42080C GAX41125C		
GA100A	GA100C	100	100	80	47	100	30/240 50/480 50/600	40	GAX42100A GAX41125A	GAX42100C GAX41125C		
GA125A	GA125C	125	125	100	47	100	30/240 60/480 60/600	50	GAX42125A GAX41125A	GAX42125C GAX41125C		

IEC/EN/BS three-pole switch disconnectors.

GA160A	GA160C	160	125	100	47	-	-	50	GAX42160A	GAX42160C	GAX32A	GAX32C
GL0160C1	-	160	160	160	160	-	-	80	GLX420315	-	GLX300	-
GL0200C1	-	200	200	200	200	-	-	100				
GL0250C1	-	250	250	250	250	-	-	115				
GL0315C1	-	315	315			-	-	145				
GL0320C1	-	320	320	320	320	-	-	145	GLX420320	-	GLX302	-
GL0400C1	-	400	400	400	400	-	-	180	GLX420400			
GL0500C1	-	500	500	500	500	-	-	200	GLX420500			
GL0630C1	-	630	630	500		-	-	200	GLX420630			

UL98 three-pole switch disconnectors.

GL0100C1UL	-	160	160	160	160	100	30/240 75/480 100/600	-	GLX420100UL	-	GLX300	-
GL0200C1UL	-	200	200	200	200	200	75/240 150/480 200/600	-	GLX420200UL			
GL0400C1UL	-	400	400	400	400	400	125/240 250/480 350/600	-	GLX420400UL		GLX302	-



12 Switch disconnectors



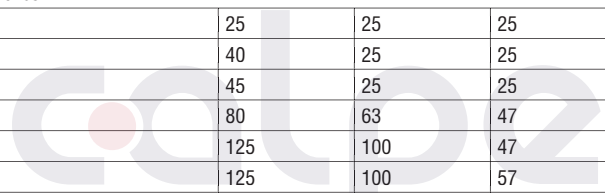
Earth/ground terminal		Direct operating handle		Door coupling handle		Shaft extensions for door coupling handles	Auxiliary contacts	Terminal covers	Phase barriers	Terminal clamps	Captive nuts
Direct operating or door coupling	Door mounting	Black	Red/Yellow	Black	Red/Yellow						
Order code	Order code	Order code	Order code	Order code	Order code	Order code	Order code	Order code	Order code	Order code	Order code
GAX33A	GAX33C	GAX61B GAX62B GAX63B GAX631B GAX632B GAX64B GAX68B	GAX61 GAX62 GAX63 GAX632 GAX64 GAX68	GAX61B GAX62B GAX63B GAX631B GAX632B GAX64B GAX68B	GAX61 GAX62 GAX63 GAX632 GAX64 GAX68	GAX7055 GAX7070 GAX7090 GAX7150 GAX7200 GAX7300 GAX7400 GAX7500	GAX1011A GAX1110EA	GAX83 GAX81	-	-	-
GAX34A	GAX34C	GAX61B GAX62B GAX63B GAX631B GAX632B GAX64B GAX66NB GAX68B	GAX61 GAX62 GAX63 GAX632 GAX64 GAX66N GAX68	GAX61B GAX62B GAX63B GAX631B GAX632B GAX64B GAX66NB GAX68B	GAX61 GAX62 GAX63 GAX632 GAX64 GAX66N GAX68	GAX7055 GAX7070 GAX7090 GAX7150 GAX7200 GAX7300 GAX7400 GAX7500 GAX7150AN GAX7200AN GAX7300AN GAX7400AN GAX7500AN	GAX1011A GAX1210EA	GAX84 GAX82	-	-	-
GAX34A	GAX34C	GAX61B GAX62B GAX63B GAX631B GAX632B GAX64B GAX66NB GAX68B	GAX61 GAX62 GAX63 GAX632 GAX64 GAX66N GAX68	GAX61B GAX62B GAX63B GAX631B GAX632B GAX64B GAX66NB GAX68B	GAX61 GAX62 GAX63 GAX632 GAX64 GAX66N GAX68	GAX7055 GAX7070 GAX7090 GAX7150... GAX7200... GAX7300... GAX7400... GAX7500...	GAX1011A GAX1210EA	GAX84 GAX82	-	-	-
GLX301	-	GLX61DB	GLX61D	GLX61B	GLX61	GLX7150S10 GLX7200S10 GLX7300S10 GLX7400S10 GLX7500S10	GLX1001 GLX1001EA	GLX800 GLX801	GLX900 GLX901	GLX500 GLX501	GLX550
GLX303	-	GLX62DB	GLX62D	GLX62B	GLX62			GLX802 GLX803	GLX902 GLX903	GLX502 GLX503 GLX504 GLX505	GLX551
GLX301	-	GLX61DB	GLX61D	GLX61B	GLX61	GLX7150S10 GLX7200S10 GLX7300S10 GLX7400S10 GLX7500S10	GLX1001 GLX1001EA	GLX800 GLX801	GLX900 GLX901	GLX500 GLX501	GLX550
GLX303	-	GLX62DB	GLX62D	GLX62B	GLX62			GLX802 GLX803	GLX902 GLX903	GLX502 GLX503 GLX504 GLX505	GLX551



12 Switch disconnectors

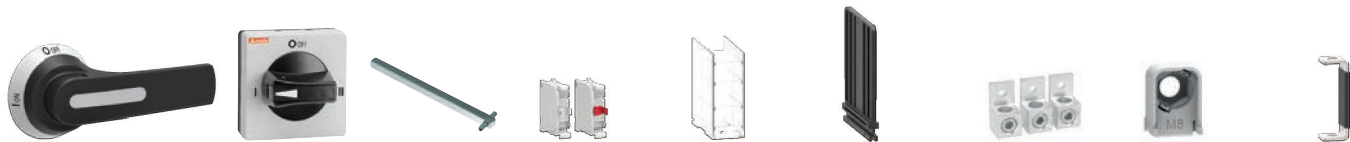
Summary table of combinations - Changeover switches

Order code	IEC conventional free air thermal current I _{th} AC21A (≤690V)	IEC rated operational current I _e			General purpose current (UL) [A]	Max 3-phase horsepower rating (UL) [HP/V]
	[A]	AC23A (400V) [A]	AC23A (500V) [A]	AC23A (690V) [A]		
IEC/EN/BS three-pole changeover switches.						
GA025ET6	25	25	25	25	-	-
GA040ET6	40	40	25	25		
GA063SAET6	63	45	25	25		
GA080ET6	80	80	63	47		
GA125ET6	125	125	100	47		
GA160ET6	160	125	100	47		
GLC0160C1	160	160	160	160		
GLC0200C1	200	200	200	200		
GLC0250C1	250	250	250	250		
GLC0315C1	315	315	250	250		
GLC0320C1	320	320	320	320		
GLC0400C1	400	400	400	400		
GLC0500C1	500	500	500	500		
GLC0630C1	630	630	500	500		
IEC/EN/BS four-pole changeover switches.						
GA025ET8	25	25	25	25	-	-
GA040ET8	40	40	25	25		
GA063SAET8	63	45	25	25		
GA080ET8	80	80	63	47		
GA125ET8	125	125	100	47		
GA160ET8	160	125	100	57		
GLC0160T4C1	160	160	160	160		
GLC0200T4C1	200	200	200	200		
GLC0250T4C1	250	250	250	250		
GLC0315T4C1	315	315	250	250		
GLC0320T4C1	320	320	320	320		
GLC0400T4C1	400	400	400	400		
GLC0500T4C1	500	500	500	500		
GLC0630T4C1	630	630	500	500		
UL1008 three-pole changeover switches.						
GL0C100C1UL	160	160	160	160	100	30/240 75/480 100/600
GL0C200C1UL	200	200	200	200	200	75/240 150/480 200/600
GLC0400C1UL	400	400	400	400	400	125/240 250/480 350/600
UL1008 four-pole changeover switches.						
GL0C100T4C1UL	160	160	160	160	100	30/240 75/480 100/600
GL0C200T4C1UL	200	200	200	200	200	75/240 150/480 200/600
GLC0400T4C1UL	400	400	400	400	400	125/240 250/480 350/600





12 Switch disconnectors



	Direct operating handle	Door coupling handle	Shaft extensions for door coupling handles	Auxiliary contacts	Terminal covers	Phase barriers	Terminal claps	Captive nuts	Parallel connections
	Order code	Order code	Order code	Order code	Order code	Order code	Order code		
	Built-in GAX5000	GAX67B	GAX7055 GAX7070 GAX7090 GAX7150 GAX7200 GAX7300 GAX7400 GAX7500	GAX1011A GAX1110EA	GAX83 GAX81	-	-	-	-
	Built-in GAX5001			GAX1011A GAX1110EA	GAX84 GAX82				
	GLX61DB	GLX61CB	GLX7150S10 GLX7200S10 GLX7300S10 GLX7400S10 GLX7500S10	GLX1001 GLX1001EA	GLX800 GLX801	GLX900 GLX901	GLX500 GLX501	GLX550	GLX201 GLX202
	GLX62DB	GLX62CB			GLX802 GLX803	GLX902 GLX903	GLX502 GLX503 GLX504 GLX505	GLX551	GLX206 GLX207
	Built-in GAX5000	GAX67B	GAX7055 GAX7070 GAX7090 GAX7150 GAX7200 GAX7300 GAX7400 GAX7500	GAX1011A GAX1110EA	GAX83 GAX81	-	-	-	-
	Built-in GAX5001			GAX1011A GAX1110EA	GAX84 GAX82				
	GLX61DB	GLX61CB	GLX7150S10 GLX7200S10 GLX7300S10 GLX7400S10 GLX7500S10	GLX1001 GLX1001EA	GLX800 GLX801	GLX900 GLX901	GLX500 GLX501	GLX550	GLX201 GLX202
	GLX62DB	GLX62CB			GLX802 GLX803	GLX902 GLX903	GLX502 GLX503 GLX504 GLX505	GLX551	GLX206 GLX207
	GLX61DB	GLX61B	GLX7150S10 GLX7200S10 GLX7300S10 GLX7400S10 GLX7500S10	GLX1001 GLX1001EA	GLX800 GLX801	GLX900 GLX901	GLX500 GLX501	GLX550	GLX201 GLX202
	GLX62DB	GLX62B			GLX802 GLX803	GLX902 GLX903	GLX502 GLX503 GLX504 GLX505	GLX551	GLX206 GLX207
	GLX61DB	GLX61B	GLX7150S10 GLX7200S10 GLX7300S10 GLX7400S10 GLX7500S10	GLX1001 GLX1001EA	GLX800 GLX801	GLX900 GLX901	GLX500 GLX501	GLX550	GLX201 GLX202
	GLX62DB	GLX62B			GLX802 GLX803	GLX902 GLX903	GLX502 GLX503 GLX504 GLX505	GLX551	GLX206 GLX207

12 Switch disconnectors

Overview.
GA series

VERSATILITY!

COMPACT SIZE

The three-pole 16A to 63A switch disconnectors, are made up of a single unit body, merely 36mm/1.42" wide, while the 30A to 160A ratings, of another frame size of only 70mm/2.75" wide.

ACCESSORY FLEXIBILITY

Mounting and removal of the fourth pole and add-on blocks are simple and quick operations with no need for tools.

VERSIONS FOR PHOTOVOLTAIC APPLICATIONS

The GA... series switch disconnectors are suitable for small domestic installations as well as those with a large number of solar cells. Use up to 800V in DC21B category.



CERTIFICATIONS

The 16A to 63A types are listed for the USA and Canada, certified according to UL60947-4-1/CSA C22.2 n° 60947-4-1. The 30A to 125A types are listed for Canada and the USA, certified according to UL98A/CSA C22.2 n° 4.



SIDE MOUNT ADD-ON FOURTH POLE

Simultaneous closing or early-make contact operation of the fourth pole with respect to the switch disconnector poles.



ADD-ON AUXILIARY CONTACTS

Only one add-on block suitable for all the 9 ratings of switch disconnectors, having simultaneous closing with the switch disconnector poles. There are versions with an early-break NO contact with respect to the switch disconnector.

MAXIMUM COMBINATIONS

Mounting up to 4 auxiliary contacts or 1 fourth pole and 3 auxiliary contacts (2 blocks always on the right and 2 on the left side) of each switch disconnector. The earth and neutral terminals and fuse holder also can be added.



SWITCH STATUS INDICATION

The switch open or closed state is clearly and unequivocally seen at a distance thanks to the simple and modern design of the handles.

TERMINAL ADAPTABILITY

Terminals are suitable to accept any type of cable: flexible, rigid, AWG wire. The terminals can withstand high tightening torques.

6 AND 8 POLE VERSION

Mechanical coupling systems are available for switch disconnectors with direct operating handle to provide 6/8 pole disconnectors or a mechanical interlock mechanism for the line changeover function (I - O - II). The enclosed switches are cULus certified.



FUSE HOLDERS

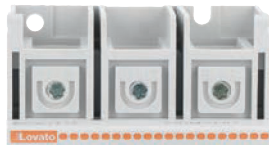


A three-pole fuse holder can be added to 16A to 32A switch disconnectors, with direct operating handle, to provide a single compact unit. Access to the fuse can be made only when the disconnector is in OFF position.

HIGH IEC CAPABILITY IN AC23

The rated currents I_n in AC23 at 690VAC are the highest of the category.

TORX SCREW TERMINALS



Version with Torx screw terminals available on request.

MODULARITY

The switch disconnectors can be mounted in modular panels.

IP65 PADLOCKABLE HANDLES

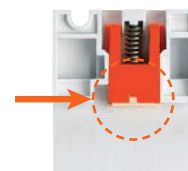
Wide range of selector or pistol grip handles, with screw or ring fixing. All handles are equipped with built-in padlockable mechanism. The selector handle GAX63... snaps onto the door mount switch disconnectors in 16A to 40A ratings, with no need for tools.



DIN RAIL FIXING

Switch disconnector mounting on and removal from the 35mm DIN rail are done by simply pressing it downwards with no need for tools.

ANTI-SLIDE INSERT FOR DIN RAIL



A rubber pad insert prevents the sliding of switch disconnectors on the DIN rail even when out of tolerance or mounted vertically.

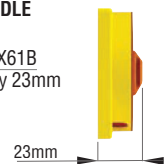
DOOR COUPLING HANDLE WITH FRONT DIMENSIONS 48X48MM

The GAX68 and GAX68B handles can be used in panels and boxes of limited dimensions.



REDUCED HANDLE THICKNESS

GAX61 and GAX61B handles are only 23mm thick.



HANDLE IP69K (GAX63K and GAX63KB)



HANDLE ADAPTABILITY

The extensive number of fixing holes in the front handle plate can replace switch disconnectors, normally found out in the field, without having to drill others.



UL508A HANDLE VERSION

In compliance with UL508A standards, which require internal panel inspection by authorised personnel with power applied, selector and pistol handles are available with defeatable feature of the door coupling when the switch disconnector is closed, i.e. in ON position.



12 Switch disconnectors

GA series 16A to 160A

Three-pole switch disconnectors with direct operating handle and door coupling version



GA016A...
GA040A
GA063SA

GA030A
GA063A...
GA160A

Order code	IEC conventional free air thermal current Ith AC21A (≤690V)	IEC rated operational current Ie AC22A (≤690V) AC23A (≤400V)	Qty per pkg	Wt [kg]
	[A]	[A]	n°	[kg]

Direct operating version, complete with black handle. For door coupling version, separately purchase the handle and shaft extension (see pages 12-14 and 12-16). According to UL60947-4-1.

GA016A	16	16	1	0.146
GA025A	25	25	1	0.146
GA032A	32	32	1	0.146
GA040A	40	40	1	0.146
GA063SA	63	45	1	0.148

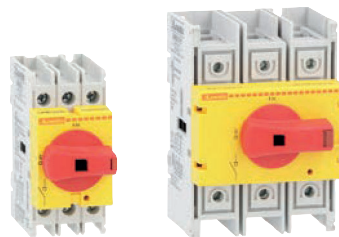
According to UL98.

GA030A	30	30	1	0.388
GA063A	63	63	1	0.388
GA080A	80	80	1	0.388
GA100A	100	100	1	0.388
GA125A	125	125	1	0.388

According to IEC.

GA160A	160	125	1	0.388
--------	-----	-----	---	-------

Direct operating version, complete with yellow/red handle. For door coupling version, separately purchase the handle and shaft extension (see pages 12-14 and 12-16).



GA0...ARY

GA063...ARY

GA016ARY	16	16	1	0.146
GA025ARY	25	25	1	0.146
GA032ARY	32	32	1	0.146
GA040ARY	40	40	1	0.146
GA063SARY	63	45	1	0.148
GA030ARY	30	30	1	0.388
GA063ARY	63	63	1	0.388
GA080ARY	80	80	1	0.388
GA100ARY	100	100	1	0.388
GA125ARY	125	125	1	0.388

According to IEC.

GA160ARY	160	125	1	0.388
----------	-----	-----	---	-------

new

Fourth pole add-on



GAX42...A
GAX41...A
GAX42063SA
GAX41063SA

Order code	IEC conventional free air thermal current Ith AC21A (≤690V)	IEC rated operational current Ie AC22A (≤690V) AC23A (≤400V)	Qty per pack	Wt [kg]
	[A]	[A]	n°	[kg]

Simultaneous closing operation as switch disconnector poles. For GA...A... version.

GAX42040A①	40	40	1	0.045
GAX42063SA②	63	45	1	0.045
GAX42063SA③	63	63	1	0.126
GAX42080A	80	80	1	0.126
GAX42100A	100	100	1	0.126
GAX42125A	125	125	1	0.126
GAX42160A	160	125	1	0.126

Early make closing operation with respect to switch disconnector poles. For GA...A... version.

GAX41040A④	40	40	1	0.046
GAX41063SA②	63	45	1	0.046
GAX41125A④	125	125	1	0.116

- ① For GA016A...GA040A... only.
- ② For GA063SA... only.
- ③ For GA030A... and GA063A... only.
- ④ For GA030A... and GA063A...GA125A... only.

General characteristics

- 16A to 160A
- Available versions:
 - Direct operating
 - Door coupling. Use switch disconnector with direct operating handle and separately purchase the handle and shaft extension for this version. See pages 12-14 and 12-16
- Version with Torx screw terminals available on request
- Compact and modular size
- Screw or 35mm DIN rail fixing
- Padlockable in 0 position with no extra accessory.

Operational characteristics

- Rated insulation voltage Ui: 1000V
- Rated impulse withstand Uimp: 8kV
- Electrical life in AC21A:
 - 100,000 cycles GA016...GA040..., GAX...40A
 - 15,000 cycles GA063SA..., GAX...063SA
 - 30,000 cycles GA030... and GA063...GA125..., GAX...063...125A
 - 1,500 cycles GA160A..., GAX42160A
- Mechanical life:
 - 100,000 cycles GA016...GA040A..., GA063SA..., GAX...40A, GAX...063SA
 - 30,000 cycles GA030... and GA063...GA160A..., GAX...063...125A, GAX42160A.

Certifications and compliance

Certifications obtained:

Type	cULus according to UL60947-4-1 / CSA C22.2 n°60947-4-1	cULus according to UL98 / CSA C22.2 n°4	EAC	KEWA
GA016A...GA040A	●	—	●	●
GA063SA	●	—	●	—
GA030A and GA063A...GA125A...	—	●	●	—
GA160A...GAX42160A	—	—	●	—
GAX41040A-GAX42040A	●	—	●	—
GAX41063SA-GAX42063SA	●	—	●	—
GAX41125A	—	●	●	—
GAX42063A...GAX42125A	—	●	●	—

● Certification obtained.

Compliant with standards: IEC/EN/BS 60947-3, IEC/EN/BS 60947-1, UL60947-4-1, UL98, CSA C22.2.

Strokes of GA...A... poles (main poles and add-on pole)

	Travel 0→1	0°	30°	60°	90°
GA016A...GA040A... - GA063SA... Main poles				60°	
GAX42040A - GAX42063SA Simultaneous closing fourth-pole add on				60°	
GAX41040A - GAX41063SA Early-make fourth-pole add on				55°	
GA063A...GA125A... GA160A... Main poles				55°	
GAX42063A...GAX42125A GAX42160A Simultaneous closing fourth-pole add on				55°	
GAX41125A Early-make fourth-pole add on				48°	
	OFF				ON

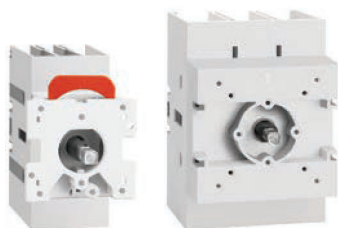


12 Switch disconnectors

GA series 16A to 160A



Three-pole switch disconnectors



GA016C...
GA040C
GA063SC

GA063C...
GA160C

new

Order code	IEC conventional free air thermal current Ith AC21A (≤690V)	IEC rated operational current Ie AC22A (≤690V) AC23A (≤400V)	Qty per pkg	Wt [kg]
	[A]	[A]	n°	[kg]

Door mount version, complete with shaft extension (purchase handle separately, see page 12-14). According to UL60947-4-1.

GA016C	16	16	1	0.170
GA025C	25	25	1	0.170
GA032C	32	32	1	0.170
GA040C	40	40	1	0.170

According to IEC.

GA063SC	63	40	1	0.170
----------------	----	----	---	-------

According to UL98.

GA030C	30	30	1	0.404
GA063C	63	63	1	0.404
GA080C	80	80	1	0.404
GA100C	100	100	1	0.404
GA125C	125	125	1	0.404

new

According to IEC.

GA160C	160	125	1	0.404
---------------	-----	-----	---	-------

Fourth pole add-on



GAX42040C
GAX41040C

new

Order code	IEC conventional free air thermal current Ith AC21A (≤690V)	IEC rated operational current Ie AC22A (≤690V) AC23A (≤400V)	Qty per pack	Wt [kg]
	[A]	[A]	n°	[kg]

Simultaneous closing operation as switch disconnector poles. For GA...C version.

GAX42040C Ⓢ	40	40	1	0.045
GAX42063SC	63	40	1	0.045
GAX42063C Ⓢ	63	63	1	0.128
GAX42080C	80	80	1	0.128
GAX42100C	100	100	1	0.128
GAX42125C	125	125	1	0.128
GAX42160C	160	125	1	0.128

new

Early make closing operation with respect to switch disconnector poles. For GA...C version.

GAX41040C Ⓢ	40	40	1	0.046
GAX41125C Ⓢ	125	125	1	0.128

- Ⓢ For GA016C...GA040C only.
- Ⓢ For GA030C and GA063C only.
- Ⓢ For GA030C and GA063C...GA125C only.

General characteristics

- 16A to 160A
- Available versions:
 - Door mount
- Compact and modular size
- Padlockable in 0 position with no extra accessory.

Operational characteristics

- Rated insulation voltage Ui: 1000V
- Rated impulse withstand Uimp: 8kV
- Electrical life in AC21A:
 - 100,000 cycles GA016...GA040C, GAX...40C
 - 15,000 cycles GA063SC, GAX42063SC
 - 30,000 cycles GA030C and GA063...GA125C, GAX...063...125C
 - 1,500 cycles GA160C, GAX42160C
- Mechanical life:
 - 100,000 cycles GA016...GA040C..., GA063SC..., GAX...40C, GAX...063SC
 - 30,000 cycles GA030... and GA063...GA160C..., GAX...063...125C, GAX42160C.

Certifications and compliance

Certifications obtained:

Type	cULus according to UL60947-4-1 / CSA C22.2 n°60947-4-1	cULus according to UL98 / CSA C22.2 n°4	EAC	KEMA
GA016C...GA040C	●	—	●	●
GA030C and GA063C...GA125C	—	●	●	—
GAX41040C-GAX42040C	●	—	●	—
GAX42125C	—	●	●	—
GAX42063C...GAX42125C	—	●	●	—
GAX42160C	—	—	●	—

● Certification obtained.

Compliant with standards: IEC/EN 60947-3, IEC/EN 60947-1, UL60947-4-1, UL98, CSA C22.2.

Strokes of GA...C poles (main poles and add-on pole)

	Travel 0→1	0°	30°	60°	90°
GA016C...GA040C - GA063SC Main poles				60°	
GAX42040C - GAX2063SC Simultaneous closing fourth-pole add on				60°	
GAX41040C Early-make fourth-pole add on			55°		
GA063C...GA125C Main poles				55°	
GAX42063C...GAX42160C Simultaneous closing fourth-pole add on				55°	
GAX41125C Early-make fourth-pole add on			48°		

OFF ON



12 Switch disconnectors

GA series 16A to 160A.
Accessories

Add-on blocks



GAX1011A GAX1011C



GAX1110EA
GAX1210EA



GAX3...A GAX3...C



GAX50...



GAX60...

Order code	Characteristics	Qty per pack	Wt
		n°	[kg]

Auxiliary contacts, simultaneous closing as poles of switch disconnector.

GAX1011A	1NO + 1NC for GA...A..., and GA040D	1	0.030
GAX1011C	1NO + 1NC for GA...C	1	0.030

Auxiliary contacts, early-break operation with respect to poles of switch disconnector.

GAX1110EA	1EB (NO) for GA016A... GA040A..., GA063SA... and GA040D	1	0.035
GAX1210EA	1EB (NO) for GA030A... and GA063A...GA160A...	1	0.035

Neutral terminal.

GAX31A	For GA016A...GA040A..., GA063SA... and GA040D	1	0.040
GAX32A	For GA030A... and GA063A...GA160A...	1	0.110
GAX31C	For GA016C...GA040C and GA063SC	1	0.040
GAX32C	For GA030C and GA063C...GA160C	1	0.110

Earth/Ground terminal.

GAX33A	For GA016A...GA040A, GA063SA and GA...D	1	0.040
GAX34A	For GA030A and GA063A...GA160A	1	0.110
GAX33C	For GA016C...GA040C and GA063SC	1	0.040
GAX34C	For GA030C and GA063C...GA125C	1	0.110

Mechanical interlock for line changeover (I-O-II).

GAX5000	For GA016A...GA040A..., GA063SA..., GA040D and GAX67B; □ 5mm/0.2" ①	1	0.050
GAX5001	For GA030A..., GA063A...GA160A... and GAX67B; □ 5mm/0.2" ①	1	0.075

Mechanical coupling system for 6-8 pole switch disconnectors.

GAX6000	For GA016A...GA040A..., GA063SA... and GA040D; □ 5mm/0.2" ①	1	0.050
GAX6001	For GA030A... and GA063A...GA125A..., □ 7mm/0.3" ②③	1	0.075

- ① Use GAX7... shaft extensions.
- ② Use GAX6N... handles and GAX7...AN extensions for a door coupling version.
- ③ Cannot be used with GA160A...

Strokes of GA poles (main poles with auxiliary contacts)

	Travel 0→1	0°	30°	60°	90°
GA016A...GA040A... - GA063SA...				60°	
Main poles					
GAX1011A - GAX1011C				60°	
Auxiliary contacts (1NO+1NC)					
	NO				
	NC				
GAX1110EA		40°			
Auxiliary contact (1EB - NO early-break with respect to main poles)			60°		
	Travel 0→1				
	Travel 1→0		70°		
GA030A... and GA063A...GA125A..., GA160A Main poles			55°		
GAX1011A - GAX1011C			45°		
Auxiliary contacts (1NO+1NC)					
	NO				
	NC				
GAX1210EA		25°			
Auxiliary contact (1EB NO early-break with respect to main poles)			55°		
	Travel 0→1				
	Travel 1→0			65°	
	OFF				ON

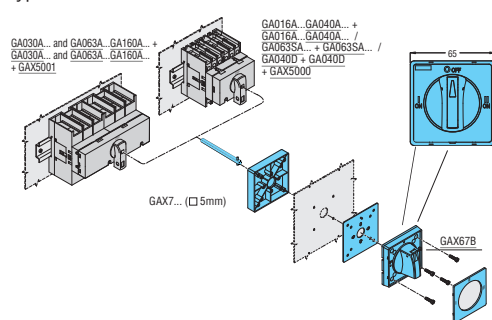
Operational characteristics of auxiliary contacts

- Conventional free air thermal current Ith: 10A
- UL/CSA and IEC/EN/BS 60947-5-1 designation: A600-Q600
- Tightening torque: 0.8Nm/7.1lb.in.

Operational characteristics for other devices

- Tightening torque:
 - GAX31A/C-GAX33A/C terminals: 1.8...2Nm/16...18lb.in
 - GAX32A/C-GAX34A/C terminals: 5...6Nm/45...54lb.in
 - GAX5000/1-GAX6000/1 fixing: 0.5Nm/4.4lb.in; extension with handle: 0.8Nm/7.1lb.in.

Transformation of direct operating version into door coupling type:



Certifications and compliance

Certifications obtained:

Type	cULus according to UL 60947-4-1 / CSA C22.2 n°14	cULus according to UL98 / CSA C22.2 n°4	EAC
GAX1011A - GAX1011C	●	—	●
GAX1110EA	●	—	●
GAX1210EA	—	●	●
GAX31A - GAX31C	●	—	●
GAX32A - GAX32C	—	●	●
GAX33A - GAX33C	●	—	●
GAX34A - GAX34C	—	●	●
GAX5000 - GAX6000	●	—	●
GAX5001 - GAX6001	—	●	●

● Certification obtained.

Compliant with standards: IEC/EN/BS 60947-1, IEC/EN/BS 60947-3, IEC/EN/BS 60947-5-1, UL 60947-4-1, UL98, CSA C22.2.

Strokes of GA...D types (main poles and auxiliary contacts)

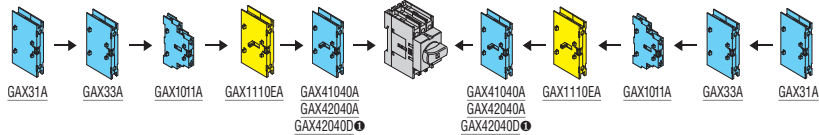
	Travel 0→1	0°	30°	60°	90°
GA040D				60°	
Main poles					
GA042040D				60°	
simultaneous closing fourth -pole add on					
GAX1011A				60°	
Auxiliary contacts (1NO+1NC)					
	NO				
	NC				
GAX1110EA		40°			
auxiliary contact (1EB NO early-break with respect to main poles)			60°		
	Travel 0→1				
	Travel 1→0			70°	

12 Switch disconnectors

GA series 16A to 160A.
Add-on block and accessories

Maximum combinations

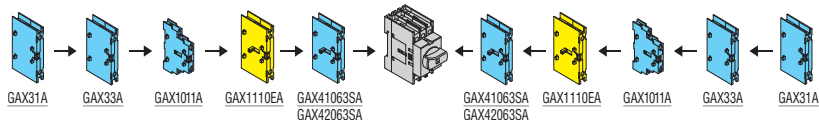
GA016A...GA040A...GA040D Sequence and maximum combination of add-on blocks on direct operating switch disconnectors.



1	1	1	—	1	GA016A... GA025A... GA032A... GA040A... GA040D❶	—	—	2	1	1	
1	1	2	—	—		—	1	—	1	1	1
1	1	1	—	1		—	—	1	1	1	1
1	1	1	1	—		—	1	—	1	1	1
1	1	1	1	—		—	—	—	2	1	1
1	1	2	—	—		—	—	1	1	1	1
1	1	2	—	—		—	—	—	2	1	1
1	1	—	—	—		—	1	—	—	1	1
1	1	—	—	1		—	—	—	—	1	1
1	1	—	—	—		—	—	—	—	1	1

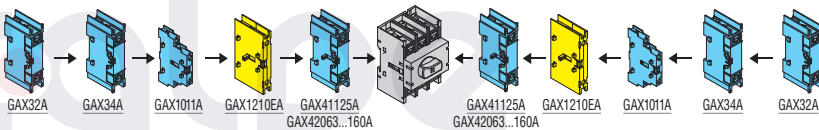
❶ GAX42040D can be used with GA040D switch only.

GA063SA...



1	1	1	—	1	GA063SA...	—	—	2	1	1	
1	1	2	—	—		—	1	—	1	1	1
1	1	1	—	1		—	—	1	1	1	1
1	1	1	1	—		—	1	—	1	1	1
1	1	1	1	—		—	—	—	2	1	1
1	1	2	—	—		—	—	1	1	1	1
1	1	2	—	—		—	—	—	2	1	1
1	1	—	—	—		—	1	—	—	1	1
1	1	—	—	1		—	—	—	—	1	1
1	1	—	—	—		—	—	—	—	1	1

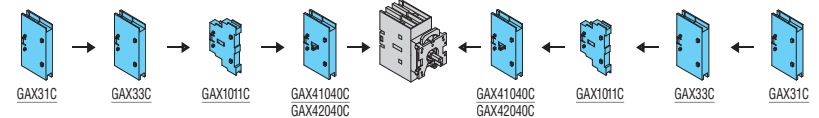
GA030A... and GA063A...GA160A...



—	—	1	—	1	GA030A... GA063A... GA080A... GA100A... GA125A... GA160A...❶	—	—	2	—	—	
—	—	2	—	—		—	1	—	1	—	—
—	—	1	—	1		—	—	1	1	—	—
—	—	1	1	—		—	1	—	1	—	—
—	—	2	—	—		—	—	—	2	—	—
—	—	2	—	—		—	—	1	1	—	—
1	1	—	—	—		—	1	—	—	1	1
1	1	—	—	1		—	—	—	—	1	1
1	1	—	—	—		—	—	—	—	1	1
1	1	—	—	—		—	—	—	—	1	1

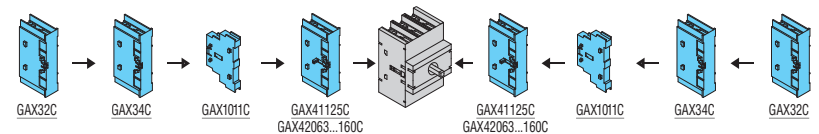
❶ GA160A... can be fitted with 1 single 4th pole (GAX42160A) on one side and an auxiliary contact on the other.

GA016C...GA040C and GA063C Sequence and maximum combination of add-on blocks on door mount switch disconnectors.



1	1	1	—	1	GA016C GA025C GA032C GA040C GA063C	—	—	1	1	1	
1	1	1	—	—		—	1	—	1	1	1
1	1	—	—	1		—	—	1	1	1	1
1	1	1	—	—		—	1	—	—	1	1
1	1	1	1	—		—	—	—	1	1	1
1	1	—	—	—		—	—	—	—	1	1

GA030C and GA063C...GA160C



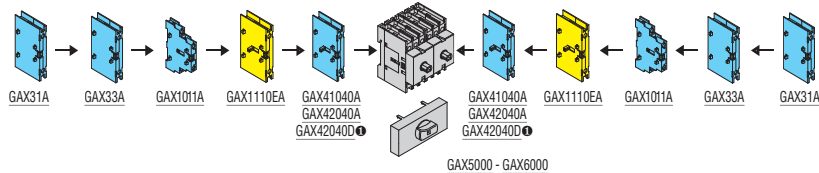
—	—	1	—	1	GA030C GA063C GA080C GA100C GA125C GA160C	—	1	—	—	—	
—	—	1	—	—		—	1	—	—	—	—
1	—	—	—	1		—	—	1	—	—	—
—	—	1	—	—		—	1	—	—	1	1
—	—	1	—	—		—	—	1	—	—	—
1	1	—	—	—		—	—	—	—	1	1

12 Switch disconnectors

GA series 16A to 160A.
Add-on block and accessories

Maximum combinations

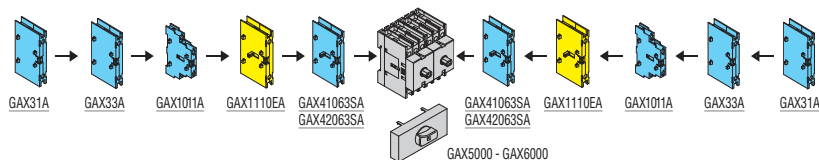
GA016A...GA040A... GA040D + GAX5000 - GAX6000 Sequence and maximum combination for mechanical coupling and mechanical interlock for line changeover.



1	1	1	—	1		1	—	1	1	1
1	1	1	—	1	GA016A ... + GA016A ...	—	—	2	1	1
1	1	2	—	—		1	—	1	1	1
1	1	1	—	1	GA025A... + GA025A...	—	1	1	1	1
1	1	1	1	—		1	—	1	1	1
1	1	1	1	—	GA032A... + GA032A...	—	—	2	1	1
1	1	2	—	—		—	1	1	1	1
1	1	2	—	—	GA040A... + GA040A...	—	1	1	1	1
1	1	2	—	—		—	—	2	1	1
1	1	—	—	1	GA040D + GA040D ①	1	—	—	1	1
1	1	—	—	—		—	—	—	1	1

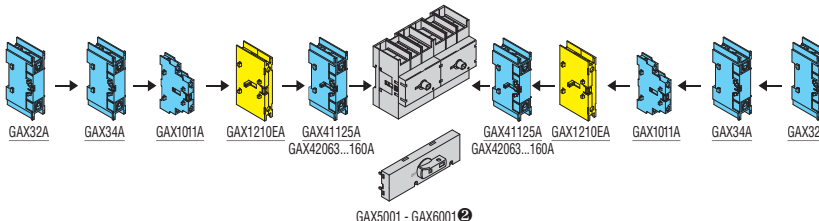
① GAX42040D can be used with GA040D switch only.

GA063SA... + GAX5000 - GAX6000



1	1	1	—	1		1	—	1	1	1
1	1	1	—	1	GA063SA... + GA063SA...	—	—	2	1	1
1	1	2	—	—		1	—	1	1	1
1	1	1	—	1	GA063SA... + GA063SA...	—	1	1	1	1
1	1	1	1	—		1	—	1	1	1
1	1	1	1	—	GA063SA... + GA063SA...	—	—	2	1	1
1	1	2	—	—		—	1	1	1	1
1	1	2	—	—	GA063SA... + GA063SA...	—	—	2	1	1
1	1	—	—	1		1	—	—	1	1
1	1	—	—	—	GA063SA... + GA063SA...	—	—	—	1	1
1	1	—	—	—		—	—	—	—	1

GA030A... and GA063A...GA160A... + GAX5001 - GAX6001



—	—	1	—	1	GA030A... + GA030A...	1	—	1	—	—
—	—	1	—	1		—	—	2	—	—
—	—	2	—	—	GA063A... + GA063A...	1	—	1	—	—
—	—	1	—	1		—	1	—	—	—
—	—	1	1	—	GA080A... + GA080A...	1	—	1	—	—
—	—	1	1	—		—	—	2	—	—
—	—	2	—	—	GA100A... + GA100A...	—	1	1	—	—
—	—	2	—	—		—	—	2	—	—
1	1	—	—	1	GA160A... + GA160A... ①	1	—	—	1	1
1	1	—	—	—		—	—	—	—	1

① GA160A... can be fitted with a single auxiliary contact (GAX1011A) per side.

② Cannot be used with GA160A...



12 Switch disconnectors

GA series 16A to 160A.
Accessories

Handles



GAX61



GAX63



new

GAX66N



GAX68

- ❶ For GA...A..., GA040D and GD... switch disconnectors, separately purchase extension GAX7...
- ❷ Snap-on fixing of GA016C...GA040C and GA063SC switch disconnectors with the handle.
- ❸ Separately purchase GAX7...AN shaft extension and GAX60B adaptor.

Order code	Characteristics	Qty	Wt
		per pkg	
		no.	[kg]
DOOR COUPLING VERSION PADLOCKABLE, IP65 (4X). Red/yellow.			
GAX61	For GA...A..., GA063SA..., GA...C, GA040D and GD... Screw fixing. Handle with selector flush-mounted ❶. □ 5mm/0.2"	1	0.073
GAX62	For GA...A..., GA063SA..., GA...C, GA040D and GD... Screw fixing. Handle with selector protruding ❶. □ 5mm/0.2"	1	0.072
GAX63	For GA...A..., GA063SA..., GA016C...GA040C and GA063SC, GA040D and GD... Ring fixing. Handle with selector protruding ❶❷. □ 5mm/0.2"	1	0.068
GAX63K	For GA...A..., GA063SA..., GA016C...GA040C and GA063SC, GA040D and GD... Ring fixing. Handle with selector protruding ❶❷. □ 5mm/0.2" IP69K	1	0.068
GAX63Z	For GA...A..., GA063SA..., GA040D and GD... Ring fixing low profile. Handle with selector protruding. □ 5mm/0.2" ❶	1	0.057
GAX64	For GA...A..., GA063SA..., GA040D and GD... Ring fixing. Handle with selector protruding - defeatable (requirement UL508A)❸. □ 5mm/0.2"	1	0.064
GAX66N	For GA030A..., GA063A...GA160A... and GAX6001. Screw fixing. Pistol handle - defeatable (req. UL 508A)❸. □ 7mm/0.3"	1	0.140
GAX68	For GA016A...GA063SA..., GA040D, GA016C...GA040 C, GD and GA063SC. Screw fixing. Handle with selector lowered ❶. □ 5mm/0.2"	1	0.060

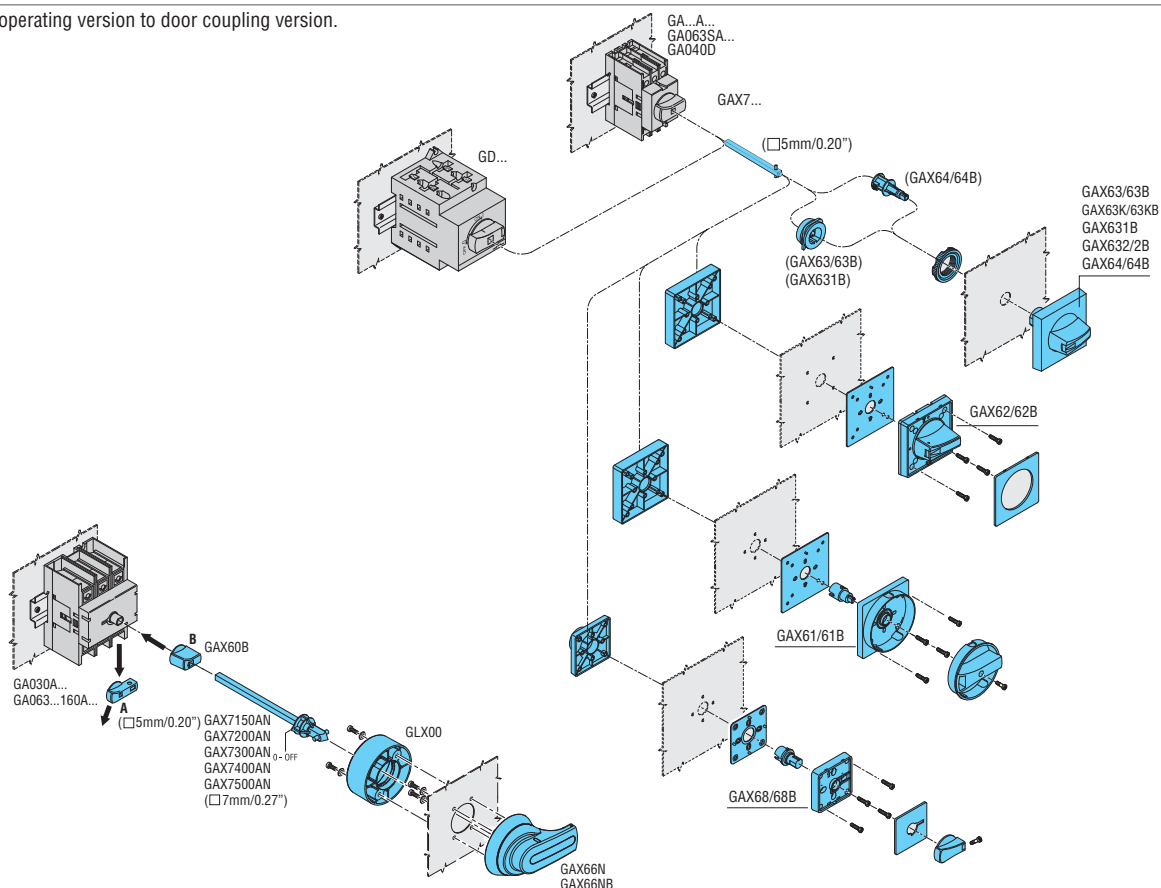
General and operational characteristics

- Choice of handle fixing: ring or screw
- Handle fixing centres:
 - GAX61/61B-GAX62/62B-GAX67B: 36x36mm/1.42x1.42" or 48x48mm/1.89x1.89"
 - GAX66N/66NB: 28x40mm/1.10x1.57"
 - GAX68/68B: 28x28mm/1.10x1.10" or 36x36mm/1.42x1.42"
- Compatible with pre-existing drillings of most common types in the marketplace
- 1 to 3 padlocks in the Ø4...8mm/0.16...0.31" for all handles except:
 - GAX68 only 1 padlock in the Ø4...8mm/0.16...0.31"
 - GAX61 up to 3 padlocks in the Ø5...8mm/0.20...0.31"
- Front plate dimensions:
 - GAX61/61B-GAX62/62B-GAX63/63B-GAX64/64B-GAX67/67B: 65x65mm/2.56x2.56"
 - GAX66N/66NB: Ø76mm/2.99"
 - GAX68/68B: 48x48mm/1.89x1.89"
- Tightening torque:
 - Fixing ring types: 2.3Nm/20.4lb.in
 - GAX60B: 0.8Nm/7lb.in
 - GAX66N/66NB: 1.5Nm/13.3lb.in
 - All others: 0.8Nm/7lb.in
- Degree of protection for all: IP65
- Degree of protection for GAX66N/66NB: IP66, IP69K; for UL/CSA data see detail on page 12-16.

Certifications and compliance

See the table on page 12-16.

From direct operating version to door coupling version.



12 Switch disconnectors

GA series 16A to 160A.
Accessories

Handles



GAX61B



GAX63...B



GAX632B



GAX67B

new

- ① For GA...A..., GA040D and GD... switch disconnectors, separately purchase extension GAX7...
- ② Snap-on fixing of GA016C...GA040C and GA063SC switch disconnectors with the handle.
- ③ Separately purchase GAX7...AN shaft extension and GAX60B adaptor.

Order code	Characteristics	Qty per pkg	Wt
		no.	[kg]
Black.			
GAX61B	For GA...A..., GA063SA..., GA...C, GA040D and GD... Screw fixing. Handle with selector flush-mounted ①. □ 5mm/0.2"	1	0,073
GAX62B	For GA...A..., GA063SA..., GA...C, GA040D and GD... Screw fixing. Handle with selector protruding ①. □ 5mm/0.2"	1	0,072
GAX63B	For GA...A..., GA063SA..., GA016C...GA040C and GA063SC, GA040D and GD... Ring fixing. Handle with selector protruding ①②. □ 5mm/0.2"	1	0,068
GAX63KB	For GA...A..., GA063SA..., GA016C...GA040C, GA040D, GD... and GA063SC. Ring fixing. Handle with selector protruding ①②. □ 5mm/0.2". IP69K	1	0,068
GAX631B	For GA...A..., GA063SA..., GA016C...GA040C and GA063SC, GA040D and GD... Ring fixing. Handle with selector protruding padlockable in ON pos. (UNI 9490 and UNI EN 12845) ①②. □ 5mm/0.2"	1	0,074
GAX632B	For GA...A..., GA063SA..., GA040D and GD... Ring fixing low profile. Handle with selector protruding. □ 5mm/0.2" ①	1	0,057
GAX64B	For GA...A..., GA063SA..., GA040D and GD... Ring fixing. Handle with selector protruding - defeatable (requir.UL508A)①. □ 5mm/0.2"	1	0,064
GAX66NB	For GA030A..., GA063A...GA160A... and GAX6001. Screw fixing. Pistol handle - defeatable (req. UL 508A)③. □ 7mm/0.3"	1	0,140
GAX67B	For mechanical interlock GAX50... (I-O-II)①. □ 5mm/0.2"	1	0,078
GAX68B	For GA016A...GA063SA..., GA040D, GA016C...GA040C, GA063SC and GD... Screw fixing. Handle with selector lowered ①. □ 5mm/0.2"	1	0,060

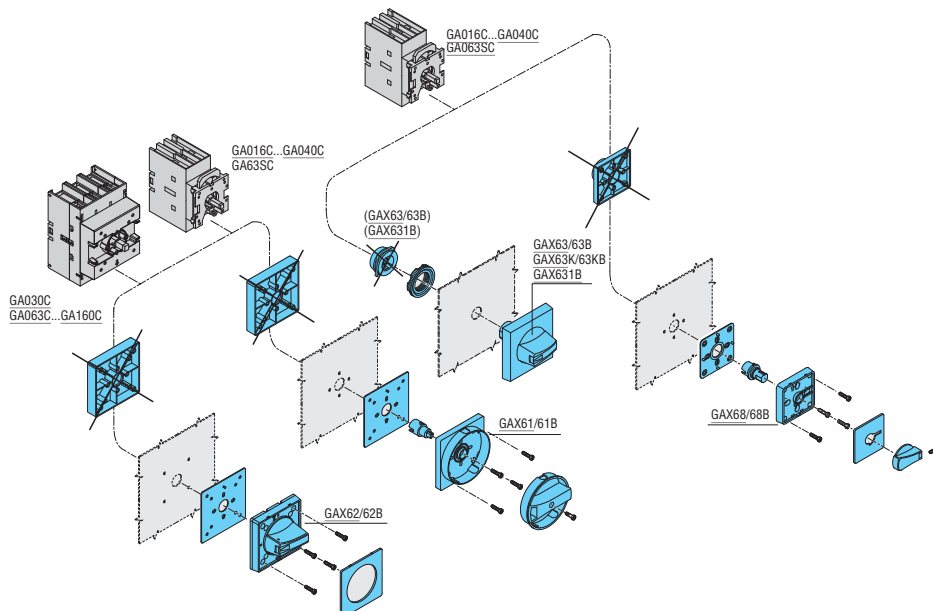
General and operational characteristics

- Choice of handle fixing: ring or screw
- Handle fixing centres:
 - GAX61/61B-GAX62/62B-GAX67B: 36x36mm/1.42x1.42" or 48x48mm/1.89x1.89"
 - GAX66N/66NB: 28x40mm/1.10x1.57"
 - GAX68/68B: 28x28mm/1.10x1.10" or 36x36mm/1.42x1.42"
 - Compatible with pre-existing drillings of most common types in the marketplace
- 1 to 3 padlocks in the Ø4...8mm/0.16...0.31" for all handles except:
 - GAX68 only 1 padlock in the Ø4...8mm/0.16...0.31"
 - GAX61 up to 3 padlocks in the Ø5...8mm/0.20...0.31"
- Front plate dimensions:
 - GAX61/61B-GAX62/62B-GAX63/63B-GAX64/64B-GAX67/67B: 65x65mm/2.56x2.56"
 - GAX66N/66NB: Ø76mm/2.99"
 - GAX68/68B: 48x48mm/1.89x1.89"
- Tightening torque:
 - Fixing ring types: 2.3Nm/20.4lb.in
 - GAX60B: 0.8Nm/7lb.in
 - GAX66N/66NB: 1.5Nm/13.3lb.in
 - All others: 0.8Nm/7lb.in
- Degree of protection for all: IP65
- Degree of protection for GAX66N/66NB: IP66, IP69K; for UL/CSA data see detail on page 12-16.

Certifications and compliance

See the table on page 12-16.

Door mount version.





12 Switch disconnectors

GA series 16A to 160A.
Accessories

Shaft extensions Terminal covers Fuse holders/blocks



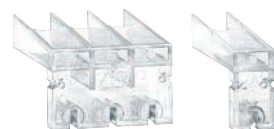
GAX7...



GAX7... AN



GAX18S0...



GAX8...



GAX391

Order code	Characteristics	Qty per pkg	Wt
		n°	[kg]

Shaft extension for door coupling handles GAX61...GAX64, GAX68, GAX61B...GAX64B, GAX67B, GAX68B and mechanical interlock type GAX5000, GAX5001 and mechanical coupling GAX6000 ①.

GAX7055	55mm/2.16" long □ 5mm/0.2"	1	0.012
GAX7070	70mm/2.75" long □ 5mm/0.2"	1	0.014
GAX7090	90mm/3.54" long □ 5mm/0.2"	1	0.018
GAX7150	150mm/5.90" long □ 5mm/0.2"	1	0.032
GAX7200	200mm/7.87" long □ 5mm/0.2"	1	0.070
GAX7300	300mm/11.81" long □ 5mm/0.2"	1	0.068
GAX7400	400mm/15.75" long □ 5mm/0.2"	1	0.072
GAX7500	500mm/19.68" long □ 5mm/0.2"	1	0.090

Shaft extension for door coupling handles GAX66N, GAX66NB and mechanical coupling system GAX6001.

GAX7150AN	150mm/5.90" long □ 7mm/0.3"	1	0.090
GAX7200AN	200mm/7.87" long □ 7mm/0.3"	1	0.112
GAX7300AN	300mm/11.81" long □ 7mm/0.3"	1	0.160
GAX7400AN	400mm/15.74" long □ 7mm/0.3"	1	0.200
GAX7500AN	500mm/19.68" long □ 7mm/0.3"	1	0.250

Adaptor for GAX66N and GAX66NB handles.

GAX60B	Adaptor □ 7mm/0.3" for GA030A...GA160A...	1	0.010
---------------	---	---	-------

Accessory for shaft extension.

GLX00	Shaft alignment ring	1	0.040
--------------	----------------------	---	-------

Support for shaft extension.

GAX18S05	□ 5mm/0.2"	1	0.160
GAX18S07	□ 7mm/0.27"	1	0.160

Set of 2 one-pole terminal covers for fourth pole.

GAX81	For GAX42040A, GAX42063SA, GAX42063SC, GAX42040C, GAX42040D, GAX41040A, GAX41063A and GAX41040C	1	0.009
GAX82	For GAX42063A...GAX42160A	1	0.012

Set of 2 three-pole terminal covers.

GAX83	For GA016A...GA040A..., GA063SA..., GA016C...GA063C, GA063SC and GA040D	1	0.011
GAX84	For GA030A...GA160A..., GA030C...GA160C	1	0.030

Fuse holder for switch disconnectors.

GAX391	For GA016A...GA032A... Suitable for 10.3x38 fuse size	1	0.132
GAX391UL	For GA016A...GA025A... Suitable for Class CC fuses	1	0.135

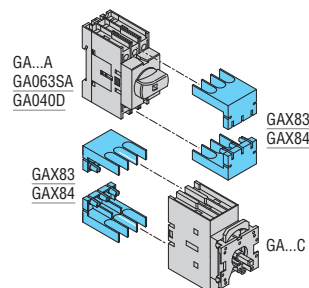
① Other length available on request.

Operational characteristics of fuse holder

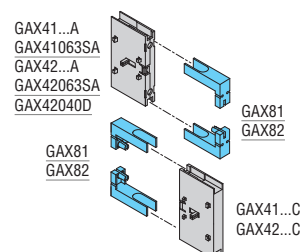
- IEC rated insulation voltage U_i : 1000V
- IEC rated impulse withstand U_{imp} : 8kV
- The fuse holder/blocks connects directly to the switch disconnectors
- Access to fuses only when the switch disconnectors are in OFF position.

Terminal covers

For switch disconnectors



For fourth pole



Certifications and compliance

Certifications obtained:

Type	cULus according to UL60947-4-1 / CSA C22.2 n°60947-4-1	cULus according to UL98 / CSA C22.2 n°4	EAC
GAX61-GAX61B	●	●	●
GAX62-GAX62B	●	●	●
GAX63-GAX63B	●	●	●
GAX631B	—	—	●
GAX632-GAX632B	●	●	●
GAX64-GAX64B	●	●	●
GAX66N-GAX66NB	—	●	●
GAX67B	●	●	●
GAX68-GAX68B	●	—	●
GAX60B	—	●	●
GAX7055...GAX7500	●	●	●
GAX7150AN...GAX7300AN	—	●	●
GAX81-GAX83	●	—	●
GAX82-GAX84	—	●	●
GAX391	—	—	●
GAX391UL	●	—	—

● Certification obtained.

NOTE: types GAX61/61B, GAX62/62B, GAX63/63B, GAX632/2B, GAX64/64B, GAX68/68B, GX67 are UL/CSA Type 1, 2, 3R, 12, 12K, 4, 4X external use when used with types GA016...40A/C, GA040D and GA063SA. GAX61/61B, GAX62/62B, GAX63/63B, GAX632/2B, GAX64/64B, GAX66/66B, GX67 are UL/CSA Type 1, 3R, 12, 12K, 4, 4X external use when used with types GA030A/C and GA063...GA125A/C.

Compliant with standards: IEC/EN/BS 60947-1, IEC/EN/BS 60947-3, UL60947-4-1, UL98, CSA C22.2.

12 Switch disconnectors

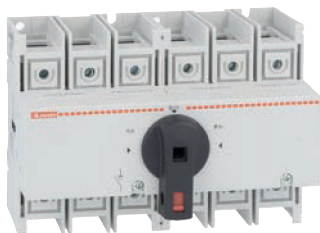
GA series 16A to 160A

Assembled changeover switches

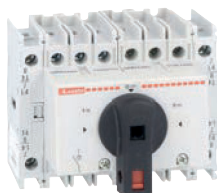


GA025...063...ET6

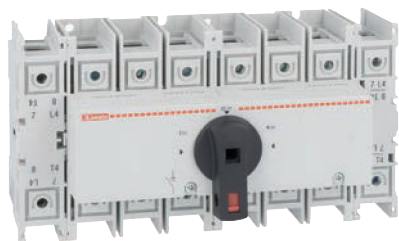
new



GA080...160ET6



GA025...063...ET8



GA080...160ET8

Order code	IEC conventional thermal current Ith AC21A (≤690V)	IEC rated operational current Ie AC22A (≤690V) AC23A (≤400V)	Qty per pkg	Wt
	[A]	[A]	n°	[kg]

Three-pole versions.

GA025ET6	25	25	1	0.350
GA040ET6	40	40	1	0.350
GA063SAET6	63	45	1	0.350
GA080ET6	80	80	1	0.881
GA125ET6	125	125	1	0.881
GA160ET6	160	125	1	0.881

Four-pole versions.

GA025ET8	25	25	1	1.250
GA040ET8	40	40	1	1.250
GA063SAET8	63	45	1	1.250
GA080ET8	80	80	1	1.133
GA125ET8	125	125	1	1.133
GA160ET8	160	125	1	1.133

Components

Switch disconnector	Fourth pole	Mechanical interlock
2 x GA025A	-	GAX5000
2 x GA040A	-	GAX5000
2 x GA063SA	-	GAX5000
2 x GA080A	-	GAX5001
2 x GA125A	-	GAX5001
2 x GA160A	-	GAX5001

2 x GA025A	2 x GAX42040A	GAX5000
2 x GA040A	2 x GAX42040A	GAX5000
2 x GA063SA	2 x GAX42063SA	GAX5000
2 x GA080A	2 x GAX42080A	GAX5001
2 x GA125A	2 x GAX42125A	GAX5001
2 x GA160A	2 x GAX42160A	GAX5001



Switch disconnectors complete with shaft extension, door-coupling handle and terminal covers

new



GA...A...K...

Order code	IEC conventional thermal current Ith AC21A (≤690V)	IEC rated operational current Ie AC22A (≤690V) AC23A (≤400V)	Poles	Qty per pkg	Wt
	[A]	[A]	n°	n°	[kg]

Three-pole versions.

GA025AK30063	25	25	3P	1	0.302
GA040AK30063	40	40	3P	1	0.302
GA063SAK30063	63	45	3P	1	0.302

Four-pole versions.

GA025AK30063T4	25	25	4P	1	0.356
GA040AK30063T4	40	40	4P	1	0.356
GA063SAK30063T4	63	45	4P	1	0.356

Components

Switch disconnector	Fourth pole	Terminal cover	
		3P	1P
GA025A	-	GAX83	-
GA040A	-	GAX83	-
GA063SA	-	GAX83	-

GA025A	GAX42040A	GAX83	GAX81
GA040A	GAX42040A	GAX83	GAX81
GA063SA	GAX42063SA	GAX83	GAX81

- 300mm shaft extension: GAX7300
- Red/yellow door-coupling handle: GAX63
- 2 pcs-set of terminal covers for both line and load terminals protection.



12 Switch disconnectors

GA series 16A to 160A

Empty plastic enclosures IEC/EN IP65 type



GAZ1

GAZ2



GAZ3



GAX30

Order code	Description	Qty per pkg	Wt
		n°	[kg]

For switch disconnectors.
With red/yellow handle. Complete with shaft extension.

GAZ1	For GA016A...GA040A.../D	1	0.320
GAZ2	For GA063SA..., GA030A... and GA063A...GA100A...	1	0.780
GAZ3	For GA125A...GA160A...	1	1.900

With black handle. Complete with shaft extension.

GAZ1B	For GA016A...GA040A.../D	1	0.320
GAZ2B	For GA063SA..., GA030A... and GA063A...GA100A	1	0.730
GAZ3B	For GA125A...GA160A...	1	1.900

Accessory.

GAX30	Shielded cable fixing kit for GAZ1 and GAZ1B	1	0.083
--------------	--	---	-------

The empty enclosures are supplied with the following accessories:

Enclosure	GAZ1 GAZ1B	GAZ2 GAZ2B	GAZ3 GAZ3B
Red/yellow handle	GAX61	GAX61	GAX61
Black handle	GAX61B	GAX61B	GAX61B
Extension	1	1	1
Neutral plate terminal	1	1	-
Earth/Ground plate terminal	1	1	-

General characteristics

- Enclosure material: ABS
- Padlockable handles
- Sealable cover
- Tightening torque for cover screws:
 - GAZ1...: 1.3Nm/16lb.in
 - GAZ2... and GAZ3...: 1.5Nm/13lb.in
- Degree of protection: IP65
- Cable entry:
 - GAZ1... types: PG16/M25 and PG13.5/M20 knockouts
 - GAZ2... types: PG16/M25 and PG29/M32 knockouts
 - GAZ3... types: smooth surfaces; can be drilled by customer.

Certifications and compliance

Certifications obtained: EAC.
Compliant with standards: IEC/EN/BS 60947-3, IEC/EN/BS 60947-1.

Empty plastic enclosures UL/CSA Type 4/4X



GAZ1UL



GAZ2UL



GAX30

Order code	Description	Qty per pkg	Wt
		no.	[kg]

For switch disconnectors.
With red/yellow handle. Complete with shaft extension.

GAZ1UL	For GA016A...GA040A... and GA040D	1	0.320
GAZ2UL	For GA063SA...	1	0.730

With black handle. Complete with shaft extension.

GAZ1BUL	For GA016A...GA040A... and GA040D	1	0.320
GAZ2BUL	For GA063SA...	1	0.730

Accessory.

GAX30	Shielded cable fixing kit for GAZ1UL and GAZ1BUL	1	0.083
--------------	--	---	-------

The empty enclosures are supplied with the following accessories:

Enclosure	GAZ1UL GAZ1BUL	GAZ2UL GAZ2BUL
Red/yellow handle	GAX61	GAX61
Black handle	GAX61B	GAX61B
Extension	1	1
Neutral plate terminal	1	1
Earth/Ground plate terminal	1	1

General characteristics

- Enclosure material: polycarbonate
- Padlockable handles
- Sealable cover
- Tightening torque for cover screws:
 - GAZ1...UL: 1.3Nm/16lb.in
 - GAZ2...UL: 1.5Nm/13lb.in
- Degree of protection: IP65; UL/CSA Type 4/4X
- Cable entry:
 - GAZ1...UL types: PG16/M25 and PG13.5/M20 knockouts
 - GAZ2...UL types: PG16/M25 and PG29/M32 knockouts.

Certifications and compliance

Certifications obtained: cULus for GAZ1...UL and GAZ2...UL types; EAC for all.
Compliant with standards: IEC/EN/BS 60947-3, IEC/EN/BS 60947-1, UL60947-4-1 and CSA C22.2 n°60947-4-1.





12 Switch disconnectors

GA series 16A to 160A.

Switch disconnectors in plastic enclosure

IEC/EN IP65 in plastic enclosure



GAZ016...GAZ040...



GAZ063...100C



GAZ125...GAZ160...

Order code	IEC conventional thermal current Ith	IEC rated operational current Ie		Qty per pkg	Wt [kg]
	AC21A (≤690V)	AC23B (≤400V)	AC23B (≤500V)		
	[A]	[A]	[A]	n°	

THREE-POLE.
With red/yellow handle.

GAZ016	16	16	16	1	0.450
GAZ025	25	25	25	1	0.450
GAZ032	32	32	25	1	0.450
GAZ040	40	40	25	1	0.450
GAZ063SA	63	45	25	1	0.870
GAZ063C	63	63	63	1	1.220
GAZ080C	80	80	63	1	1.220
GAZ100C	100	100	80	1	1.220
GAZ125	125	125	100	1	2.220
GAZ160	160	125	100	1	2.220

THREE-POLE.
With black handle.

GAZ016B	16	16	16	1	0.450
GAZ025B	25	25	25	1	0.450
GAZ032B	32	32	25	1	0.450
GAZ040B	40	40	25	1	0.450
GAZ063SAB	63	45	25	1	0.870
GAZ063CB	63	63	63	1	1.220
GAZ080CB	80	80	63	1	1.220
GAZ100CB	100	100	80	1	1.220
GAZ125B	125	125	100	1	2.220
GAZ160B	160	125	100	1	2.220

FOUR-POLE.
With red/yellow handle.

GAZ016T4	16	16	16	1	0.550
GAZ032T4	32	32	25	1	0.550
GAZ040T4	40	40	25	1	0.550
GAZ063SAT4	63	45	25	1	0.780
GAZ063CT4	63	63	63	1	1.250
GAZ100CT4	100	100	80	1	1.250
GAZ125T4	125	125	100	1	2.500
GAZ160T4	160	125	100	1	2.500

FOUR-POLE.
With black handle.

GAZ016T4B	16	16	16	1	0.550
GAZ032T4B	32	32	25	1	0.550
GAZ040T4B	40	40	25	1	0.550
GAZ063SAT4B	63	45	25	1	0.780
GAZ063CT4B	63	63	63	1	1.250
GAZ100CT4B	100	100	80	1	1.250
GAZ125T4B	125	125	100	1	2.500
GAZ160T4B	160	125	100	1	2.500

General characteristics

- Enclosure material: ABS
- For four-pole types not indicated, separately purchase corresponding fourth pole GAX42...A and install on enclosed 3-pole version
- Possible accessories to mount afterwards, if any required:
 - GAX30 to provide shielded cable connection continuity (e.g. with static converters)
 - GAZ016...GAZ040...: 1 contact block both on the right and left disconnector side unless 4th pole is installed
 - Other types: 2 contact blocks both on the right and left disconnector side unless 4th pole is installed
 - GAZ125...GAZ160...: if any earth/ground and/or neutral terminal required, separately purchase types GAX3... given on page 12-11.
- Padlockable handles
- Sealable cover

Components

Enclosure	Switch disconnector	Handle included with GAZ...
GAZ1	GA016A	GAX61
GAZ1	GA025A	GAX61
GAZ1	GA032A	GAX61
GAZ1	GA040A	GAX61
GAZ2	GA063SA	GAX61
GAZ2	GA063A	GAX61
GAZ2	GA080A	GAX61
GAZ2	GA100A	GAX61
GAZ3	GA125A	GAX61
GAZ3	GA160A	GAX61

GAZ1B	GA016A	GAX61B
GAZ1B	GA025A	GAX61B
GAZ1B	GA032A	GAX61B
GAZ1B	GA040A	GAX61B
GAZ2B	GA063SA	GAX61B
GAZ2B	GA063A	GAX61B
GAZ2B	GA080A	GAX61B
GAZ2B	GA100A	GAX61B
GAZ3B	GA125A	GAX61B
GAZ3B	GA160A	GAX61B

Enclosure	Switch disconnector	4th pole	Handle
GAZ1	GA016A	GAX42040A	GAX61
GAZ1	GA032A	GAX42040A	GAX61
GAZ1	GA040A	GAX42040A	GAX61
GAZ2	GA063SA	GAX42063SA	GAX61
GAZ2	GA063A	GAX42063A	GAX61
GAZ2	GA100A	GAX42100A	GAX61
GAZ3	GA125A	GAX42125A	GAX61
GAZ3	GA160A	GAX42160A	GAX61

GAZ1B	GA016A	GAX42040A	GAX61B
GAZ1B	GA032A	GAX42040A	GAX61B
GAZ1B	GA040A	GAX42040A	GAX61B
GAZ2B	GA063SA	GAX42063SA	GAX61B
GAZ2B	GA063A	GAX42063A	GAX61B
GAZ2B	GA100A	GAX42100A	GAX61B
GAZ3B	GA125A	GAX42125A	GAX61B
GAZ3B	GA160A	GAX42160A	GAX61B

- Tightening torque for cover screws:
 - GAZ016...GAZ040...: 1.3Nm/16lb.in
 - Other types: 1.5Nm/13lb.in
- Degree of protection: IP65
- Cable entry:
 - GAZ016..., GAZ040... types: PG16/M25 and PG13.5/M20 knockouts
 - GAZ063SA...GAZ100... types: PG16/M25 and PG29/M32 knockouts
 - GAZ125..., GAZ160... types: smooth surfaces; can be drilled by customer.

Certifications and compliance

Certifications obtained: cULus (not for GAZ160), EAC.
Compliant with standards: IEC/EN/BS 60947-3, IEC/EN/BS 60947-1.



12 Switch disconnectors

GA series 16A to 125A.

Switch disconnectors in plastic enclosure

UL/CSA, Type 4/4X in plastic enclosure



GAZ016...GAZ040...UL



GAZ063SAUL



GAZ063UL - GAZ125UL

Order code	IEC conventional thermal current Ith	IEC rated operational current Ie		Qty per pkg	Wt [kg]
	AC21A (≤690V)	AC23B (≤400V)	AC23B (≤500V)		
	[A]	[A]	[A]	n°	[kg]

THREE-POLE.
With red/yellow handle.

GAZ016UL	16	16	16	1	0.450
GAZ025UL	25	25	25	1	0.450
GAZ032UL	32	32	25	1	0.450
GAZ040UL	40	40	25	1	0.450
GAZ063SAUL	63	45	25	1	0.870
GAZ063UL	63	63	63	1	1.220
GAZ080UL	80	80	63	1	2.220
GAZ100UL	100	100	80	1	2.220
GAZ125UL	125	125	100	1	2.220

THREE-POLE.
With black handle.

GAZ016BUL	16	16	16	1	0.450
GAZ025BUL	25	25	25	1	0.450
GAZ032BUL	32	32	25	1	0.450
GAZ040BUL	40	40	25	1	0.450
GAZ063SABUL	63	45	25	1	0.870
GAZ063BUL	63	63	63	1	1.220
GAZ080BUL	80	80	63	1	2.220
GAZ100BUL	100	100	80	1	2.220
GAZ125BUL	125	125	100	1	2.220

FOUR-POLE.
With red/yellow handle.

GAZ016T4UL	16	16	16	1	0.550
GAZ032T4UL	32	32	25	1	0.550
GAZ063T4UL	63	63	63	1	1.150
GAZ100T4UL	100	100	80	1	2.500
GAZ125T4UL	125	125	100	1	2.500

FOUR-POLE.
With black handle.

GAZ016T4BUL	16	16	16	1	0.550
GAZ032T4BUL	32	32	25	1	0.550
GAZ063T4BUL	63	63	63	1	1.150
GAZ100T4BUL	100	100	80	1	2.500
GAZ125T4BUL	125	125	100	1	2.500

General characteristics

- Enclosure material: polycarbonate
- For four-pole types not indicated, separately purchase corresponding fourth pole GAX4...A and install on enclosed 3-pole UL-suffix version
- Possible accessories to mount afterwards, if any required:
 - GAX30 to provide shielded cable connection continuity (e.g. with static converters)
 - GAZ016...GAZ040...: 1 contact block both on the right and left disconnector side unless 4th pole is installed
 - Other types: 2 contact blocks both on the right and left disconnector side unless 4th pole is installed
- Padlockable handles
- Sealable cover
- Tightening torque for cover screws:
 - GAZ016...GAZ040...UL: 1.3Nm/16lb.in
 - Other types: 1.5Nm/13lb.in

Components

Enclosure	Switch disconnector	Handle included with GAZ...
GAZ1UL	GA016A	GAX61
GAZ1UL	GA025A	GAX61
GAZ1UL	GA032A	GAX61
GAZ1UL	GA040A	GAX61
GAZ2UL	GA063SA	GAX61
GAZ3 ①	GA063A	GAX61
GAZ3 ①	GA080A	GAX61
GAZ3 ①	GA100A	GAX61
GAZ3 ①	GA125A	GAX61

GAZ1BUL	GA016A	GAX61B
GAZ1BUL	GA025A	GAX61B
GAZ1BUL	GA032A	GAX61B
GAZ1BUL	GA040A	GAX61B
GAZ2BUL	GA063SA	GAX61B
GAZ3B ①	GA063A	GAX61B
GAZ3B ①	GA080A	GAX61B
GAZ3B ①	GA100A	GAX61B
GAZ3B ①	GA125A	GAX61B

Enclosure	Switch disconnector	4th pole	Handle
GAZ1UL	GA016A	GAX42040A	GAX61
GAZ1UL	GA032A	GAX42040A	GAX61
GAZ3 ①	GA063A	GAX42063A	GAX61
GAZ3 ①	GA100A	GAX42100A	GAX61
GAZ3 ①	GA125A	GAX42125A	GAX61

GAZ1BUL	GA016A	GAX42040A	GAX61B
GAZ1BUL	GA032A	GAX42040A	GAX61B
GAZ3B ①	GA063A	GAX42063A	GAX61B
GAZ3B ①	GA100A	GAX42100A	GAX61B
GAZ3B ①	GA125A	GAX42125A	GAX61B

① For more details contact our Technical support; see contact details on inside front cover.

- Degree of protection: IP65; UL/CSA Type 4/4X
- Cable entry:
 - GAZ016...GAZ040...UL types: PG16/M25 and PG13.5/M20 knockouts
 - GAZ063SA...UL types: PG16/M25 and PG29/M32 knockouts
 - GAZ063...GAZ125...UL types: smooth surfaces; can be drilled by customer.

Certifications and compliance

Certifications obtained: cULus for GAZ016... GAZ125...UL, GAZ1...UL and GAZ2...UL types; EAC.
Compliant with standards: IEC/EN/BS 60947-3, IEC/EN/BS 60947-1, UL60947-4-1 and CSA C22.2 n°60947-4-1 (up to GAZ063SA...), UL98 and CSA C22.2 n°4 (for all others).

12 Switch disconnectors

GA series 16A to 160A.

Changeover switches in plastic enclosure

UL/CSA, Type 4/4X in plastic enclosure



GAZ025E...GAZ063SAE...



GAZ080E...
GAZ160E...

Order code	IEC conventional free air thermal current I _{th}		IEC rated operational current I _e		Qty per pkg	Wt [kg]
	AC21A (≤690V)	AC23B (≤400V)	AC23B (≤400V)	AC23B (≤500V)		
	[A]	[A]	[A]	[A]	n°	[kg]

3-pole line changeover switches I-O-II. Black handle.

GAZ025ET6	25	25	25	1	1.060
GAZ040ET6	40	40	25	1	1.060
GAZ063SAET6	63	45	25	1	1.070
GAZ080ET6	80	80	63	1	2.950
GAZ125ET6	125	125	100	1	2.950
GAZ160ET6	160	125	100	1	2.950

4-pole line changeover switches I-O-II. Black handle.

GAZ025ET8	25	25	25	1	1.060
GAZ040ET8	40	40	25	1	1.060
GAZ063SAET8	63	45	25	1	1.070
GAZ080ET8	80	80	63	1	2.950
GAZ125ET8	125	125	100	1	2.950
GAZ160ET8	160	125	100	1	2.950

UL/CSA ratings

Type	1 phase [HP]		3 phase [HP]				General use at 600VAC [A]	Short-circuit rating at 600VAC [kA]	Fuse class - max rating at 600V Type - [A]
	120V	240V	200-208V	240V	480V	600V			
GAZ016...	1	2	5	5	10	10	16	5	RK5 - 20A
GAZ025...	1½	3	7½	7½	15	20	25	5	RK5 - 30A
GAZ032...	2	5	10	10	20	20	32	5	RK5 - 35A
GAZ040...	2	5	10	15	20	25	40	5	RK5 - 45A
GAZ063S...	2	7½	10	15	30	30	60	5	RK5 - 45A

NOTE: Above ratings are valid for GAZ016 - GAZ063S...UL types, according to UL508 and CSA 22.2 n°14.

Type	1 phase [HP]		3 phase [HP]				General use at 600VAC [A]	Short-circuit rating at 600VAC [kA]	Max fuse rating at 600V [A]
	120V	240V	200-208V ^②	240V	480V	600V			
① GAZ063C...	3	7½	20	20	40	40	60	10	100
GAZ080...	3	10	25	25	40	40	100	10	100
GAZ100...	5	10	30	30	50	50	100	10	100
GAZ125...	7½	10	30	30	60	60	100	10	100

NOTE: Above ratings are valid for GAZ063C - GAZ125... types, according to UL98 and CSA 22.2 n°4.

① Lower ratings in this same UL/CSA category are available on specific request for volume orders.

For information, consult Technical support; see contact details on inside front cover.

② Voltage value not considered in UL98 / CSA 22.2 n°4 standards.

Components

Enclosure	Switch disconnectors	Mechanical interlock	Handle
GAZUL ^①	2x GA025A	GAX5000	GAX67B
GAZUL ^①	2x GA040A	GAX5000	GAX67B
GAZUL ^①	2x GA063SA	GAX5000	GAX67B
GAZ3 ^①	2x GA080A	GAX5001	GAX67B
GAZ3 ^①	2x GA125A	GAX5001	GAX67B
GAZ3 ^①	2x GA160A	GAX5001	GAX67B
Enclosure	Switch disconnectors	Mechanical interlock	Handle
GAZUL ^①	2x GA025A + 2x GAX42040A	GAX5000	GAX67B
GAZUL ^①	2x GA040A + 2x GAX42040A	GAX5000	GAX67B
GAZUL ^①	2x GA063SA + 2x GAX42063SA	GAX5000	GAX67B
GAZ3 ^①	2x GA080A + 2x GAX42080A	GAX5001	GAX67B
GAZ3 ^①	2x GA125A + 2x GAX42125A	GAX5001	GAX67B
GAZ3 ^①	2x GA160A + 2x GAX42160A	GAX5001	GAX67B

① For more details contact our Technical support; see contact details on inside front cover.

General characteristics

- Enclosure material: polycarbonate
- Possibility of fitting:
 - 2 contact blocks both on the right and left side for GAZ...ET6 types
 - 1 contact block both on the right and left side for GAZ...ET8 types
- Padlockable handle complete with extension
- Earth and neutral plate terminals
- Sealable enclosure cover
- Tightening torque for cover screws: 1.5Nm/13lb.in
- Degree of protection: IP65; UL/CSA Type 4/4X
- Cable entry:
 - GAZ025...GAZ063SA... types: PG16/M25 and PG29/M32 knockouts
 - GAZ080... and GAZ160... types: smooth surfaces; can be drilled by customer.

Certifications and compliance

Certifications obtained: cULus (except GAZ160E...), EAC. Compliant with standards: IEC/EN/BS 60947-3, IEC/EN/BS 60947-1, UL60947-4-1 and CSA C22.2 n°60947-4-1 (up to GAZ063SA...), UL98 and CSA C22.2 n°4 (for all others except GAZ160E...).

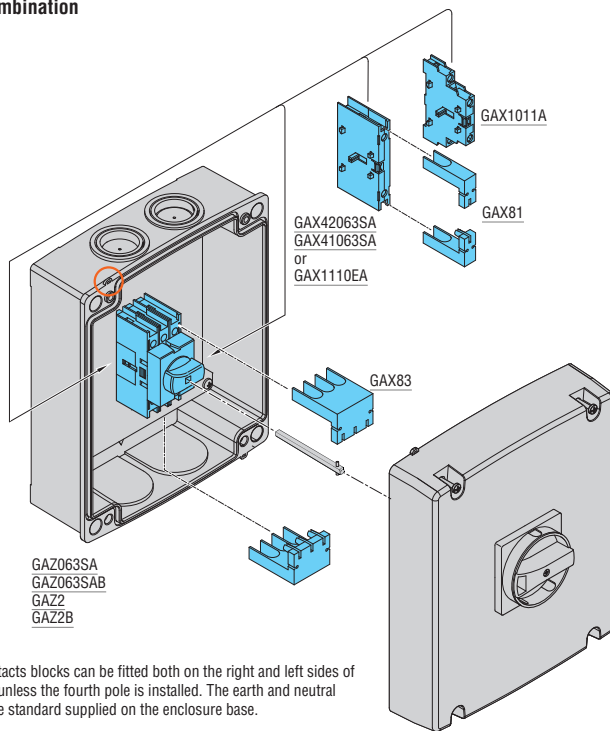


12 Switch disconnectors

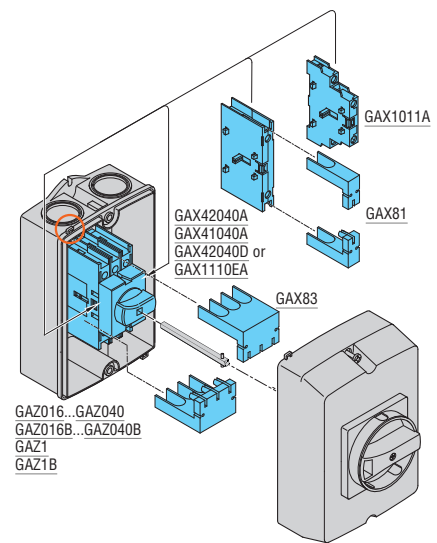
GA series 16A to 160A.

Changeover switches in plastic enclosure

Maximum combination Enclosures

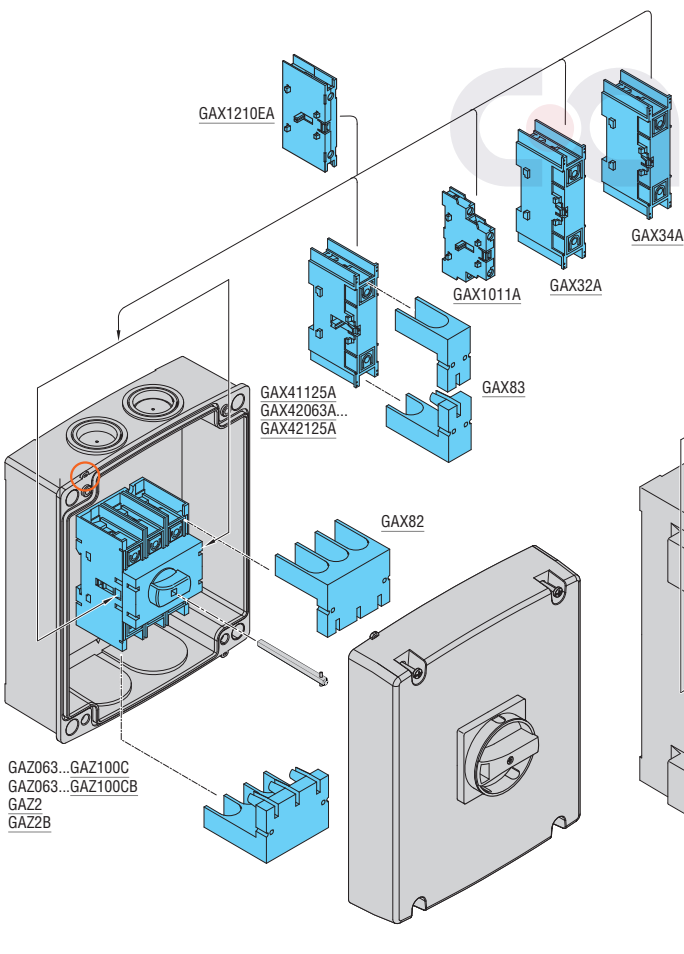
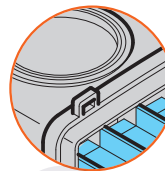


Two auxiliary contacts blocks can be fitted both on the right and left sides of the disconnector unless the fourth pole is installed. The earth and neutral plate terminals are standard supplied on the enclosure base.

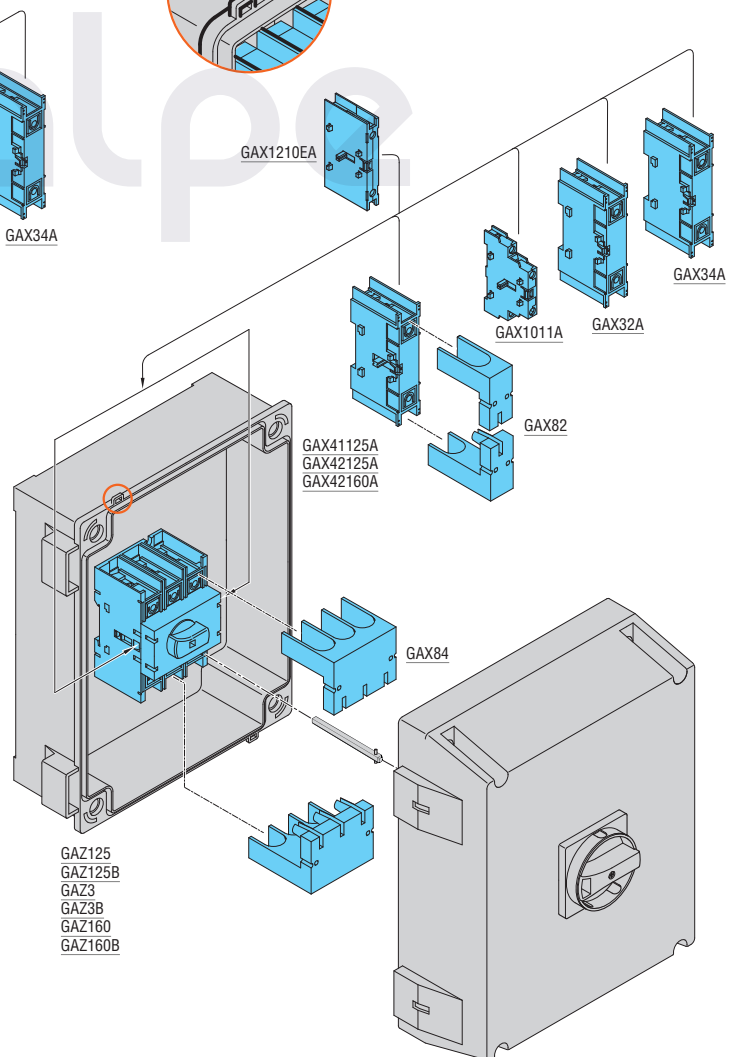


One auxiliary contact block can be fitted on the right and left sides of the disconnector unless the fourth pole is installed. The earth and neutral plate terminals are standard supplied on the enclosure base.

Sealing eyelet



Two auxiliary contact blocks can be fitted both on the right and left sides of the disconnector unless the fourth pole is installed. Earth and neutral plate terminals are standard supplied on the box base. If any earth/ground and/or neutral terminals are required, type GAX3... purchase separately.



12 Switch disconnectors

GA series 16A to 160A.

Switch disconnectors in metal enclosure

IEC/EN IP65 in metal enclosure



GAZM016...GAZM100...



GAZM125...GAZM160...

Order code	IEC conventional thermal current I _{th}		IEC rated operational current I _e		Qty per pkg	Wt [kg]
	AC21A (≤690V)	AC23B (≤400V)	AC23B (≤400V)	AC23B (≤500V)		

THREE-POLE.
With red/yellow handle.

GAZM016	16	16	16	1	2.150
GAZM025	25	25	25	1	2.150
GAZM032	32	32	25	1	2.150
GAZM040	40	40	25	1	2.150
GAZM063SA	63	45	25	1	2.150
GAZM063	63	63	63	1	2.380
GAZM080	80	80	63	1	2.380
GAZM100	100	100	80	1	2.380
GAZM125	125	125	100	1	3.550
GAZM160	160	125	100	1	3.550

THREE-POLE.
With black handle.

GAZM016B	16	16	16	1	2.150
GAZM025B	25	25	25	1	2.150
GAZM032B	32	32	25	1	2.150
GAZM040B	40	40	25	1	2.150
GAZM063SAB	63	45	25	1	2.150
GAZM063B	63	63	63	1	2.380
GAZM080B	80	80	63	1	2.380
GAZM100B	100	100	80	1	2.380
GAZM125B	125	125	100	1	3.550
GAZM160B	160	125	100	1	3.550

FOUR-POLE.
With red/yellow handle.

GAZM016T4	16	16	16	1	2.195
GAZM032T4	32	32	25	1	2.195
GAZM040T4	40	40	25	1	2.195
GAZM063SAT4	63	45	25	1	2.195
GAZM063T4	63	63	63	1	2.506
GAZM100T4	100	100	80	1	2.506
GAZM125T4	125	125	100	1	3.676
GAZM160T4	160	125	100	1	3.676

FOUR-POLE.
With black handle.

GAZM016T4B	16	16	16	1	2.195
GAZM032T4B	32	32	25	1	2.195
GAZM040T4B	40	40	25	1	2.195
GAZM063SAT4B	63	45	25	1	2.195
GAZM063T4B	63	63	63	1	2.506
GAZM100T4B	100	100	80	1	2.506
GAZM125T4B	125	125	100	1	3.676
GAZM160T4B	160	125	100	1	3.676

Components

Enclosure	Switch disconnector	Handle
GAZM1	GA016A	GAX61
GAZM1	GA025A	GAX61
GAZM1	GA032A	GAX61
GAZM1	GA040A	GAX61
GAZM1	GA063SA	GAX61
GAZM1	GA063A	GAX61
GAZM1	GA080A	GAX61
GAZM1	GA100A	GAX61
GAZM2	GA125A	GAX61
GAZM2	GA160A	GAX61

GAZM1	GA016A	GAX61B
GAZM1	GA025A	GAX61B
GAZM1	GA032A	GAX61B
GAZM1	GA040A	GAX61B
GAZM1	GA063SA	GAX61B
GAZM1	GA063A	GAX61B
GAZM1	GA080A	GAX61B
GAZM1	GA100A	GAX61B
GAZM2	GA125A	GAX61B
GAZM2	GA160A	GAX61B

Enclosure	Switch disconnector	4th pole	Handle
GAZM1	GA016A	GAX42040A	GAX61
GAZM1	GA032A	GAX42040A	GAX61
GAZM1	GA040A	GAX42040A	GAX61
GAZM1	GA063SA	GAX42063SA	GAX61
GAZM1	GA063A	GAX42063A	GAX61
GAZM1	GA100A	GAX42100A	GAX61
GAZM2	GA125A	GAX42125A	GAX61
GAZM2	GA160A	GAX42160A	GAX61

GAZM1	GA016A	GAX42040A	GAX61B
GAZM1	GA032A	GAX42040A	GAX61B
GAZM1	GA040A	GAX42040A	GAX61B
GAZM1	GA063SA	GAX42063SA	GAX61B
GAZM1	GA063A	GAX42063A	GAX61B
GAZM1	GA100A	GAX42100A	GAX61B
GAZM2	GA125A	GAX42125A	GAX61B
GAZM2	GA160A	GAX42160A	GAX61B

① Extension shaft GAX7... has to be added; for more details contact our Technical support; see contact details on inside front cover.

General characteristics

- Enclosure material: painted sheet steel
- Padlockable handle
- Front door closing with screws
- Degree of protection: IP65
- Cable entry: smooth surfaces; can be drilled by customer.

Certifications and compliance

Certifications: EAC (pending).
Compliant with standards: IEC/EN/BS 60947-3, IEC/EN/BS 60947-1.

12 Switch disconnectors

GA series 16A to 160A.

Changeover switches in metal enclosure and switch disconnectors in stainless steel AISI 304 enclosure

IEC/EN IP65 in metal enclosure



GAZM080ET8...GAZM160ET8...

Order code	IEC conventional thermal current Ith AC21A (≤690V)		IEC rated operational current Ie AC23B (≤400V) AC23B (≤500V)		Qty per pkg	Wt [kg]
	[A]	[A]	[A]	n°		
3-pole line changeover switches I-O-II. Black handle						
GAZM025ET6	25	25	25	1	1.983	
GAZM040ET6	40	40	25	1	1.983	
GAZM063SAET6	63	45	25	1	1.983	
GAZM080ET6	80	80	63	1	3.156	
GAZM125ET6	125	125	100	1	3.156	
GAZM160ET6	160	125	100	1	3.156	
4-pole line changeover switches I-O-II. Black handle.						
GAZM025ET8	25	25	25	1	2.100	
GAZM040ET8	40	40	25	1	2.100	
GAZM063SAET8	63	45	25	1	2.100	
GAZM080ET8	80	80	63	1	5.953	
GAZM125ET8	125	125	100	1	5.953	
GAZM160ET8	160	125	100	1	5.953	

Components

Enclosure	Switches disconnectors	Mechanical interlock	Handle
GAZM1	2x GA025A	GAX5000	GAX67B
GAZM1	2x GA040A	GAX5000	GAX67B
GAZM1	2x GA063SA	GAX5000	GAX67B
GAZM2	2x GA080A	GAX5001	GAX67B
GAZM2	2x GA125A	GAX5001	GAX67B
GAZM2	2x GA160A	GAX5001	GAX67B
GAZM1	2x GA025A + 2x GAX42040A	GAX5000	GAX67B
GAZM1	2x GA040A + 2x GAX42040A	GAX5000	GAX67B
GAZM1	2x GA063SA + 2x GAX42063SA	GAX5000	GAX67B
GAZM3	2x GA080A + 2x GAX42080A	GAX5001	GAX67B
GAZM3	2x GA125A + 2x GAX42125A	GAX5001	GAX67B
GAZM3	2x GA160A + 2x GAX42160A	GAX5001	GAX67B

General characteristics

- Enclosure material: painted sheet steel
- Padlockable handle
- Front door closing with screws and hinges on the right side of the enclosure (GAZM080ET8...GAZM160ET8...)
- Degree of protection: IP65
- Cable entry: smooth surfaces; can be drilled by customer.

Certifications and compliance

Certifications: EAC (pending).
Compliant with standards: IEC/EN/BS 60947-6-1, IEC/EN/BS 60947-1.

IEC/EN IP65 in stainless steel AISI 304 enclosure



GAZS016...GAZS100...

Order code	IEC conventional thermal current Ith AC21A (≤690V)		IEC rated operational current Ie AC23B (≤400V) AC23B (≤500V)		Qty per pkg	Wt [kg]
	[A]	[A]	[A]	n°		
THREE-POLE. With red/yellow handle.						
GAZS016	16	16	16	1	2.150	
GAZS025	25	25	25	1	2.150	
GAZS032	32	32	25	1	2.150	
GAZS040	40	40	25	1	2.150	
GAZS063SA	63	45	25	1	2.150	
GAZS063	63	63	63	1	2.380	
GAZS100	100	100	80	1	2.380	
THREE-POLE. With black handle.						
GAZS016B	16	16	16	1	2.150	
GAZS025B	25	25	25	1	2.150	
GAZS032B	32	32	25	1	2.150	
GAZS040B	40	40	25	1	2.150	
GAZS063SAB	63	45	25	1	2.150	
GAZS063B	63	63	63	1	2.380	
GAZS100B	100	100	80	1	2.380	

Components

Enclosure	Switch disconnector	Handle
GAZS1	GA016A	GAX61
GAZS1	GA025A	GAX61
GAZS1	GA032A	GAX61
GAZS1	GA040A	GAX61
GAZS1	GA063SA	GAX61
GAZS1	GA063A	GAX61
GAZS1	GA100A	GAX61
GAZS1	GA016A	GAX61B
GAZS1	GA025A	GAX61B
GAZS1	GA032A	GAX61B
GAZS1	GA040A	GAX61B
GAZS1	GA063SA	GAX61B
GAZS1	GA063A	GAX61B
GAZS1	GA100A	GAX61B

General characteristics

- Enclosure material: AISI 304 stainless steel
- Padlockable handle
- Front door closing with screws
- Degree of protection: IP65
- Cable entry: smooth surfaces; can be drilled by customer
- For four-pole versions add the corresponding GAX42...A fourth pole to the switch disconnector.

Certifications and compliance

Certifications: EAC (pending).
Compliant with standards: IEC/EN/BS 60947-3, IEC/EN/BS 60947-1.

① Extension shaft GAX7... has to be added; for more details contact our Technical support; see contact details on inside front cover.

12 Switch disconnectors

Empty metal enclosures

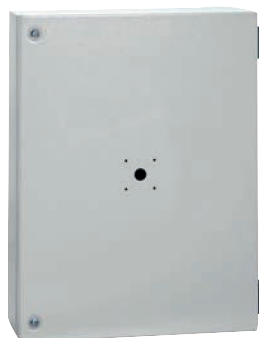
Enclosures



GAZM1



GAZM2



GAZM3



GAZS1

new

Order code	Enclosure dimensions	Qty per pkg	Wt
	[mm (in)]	n°	[kg]
Painted sheet steel enclosures.			
GAZM1	150x200x120 (5.90x7.87x4.72")	1	1.680
GAZM2	200x300x120 (7.87x11.81x4.72")	1	3.000
GAZM3	300x400x120 (11.8x15.75x4.72")	1	4.900
AISI 304 stainless steel enclosures.			
GAZS1	150x200x120 (5.90x7.87x4.72")	1	1.900

General characteristics

- Painted sheet steel enclosures for GAZM...
- AISI 304 stainless steel enclosures for GAZS1
- Front door closing with screws for GAZM1, GAZM2 and GAZS1
- Front door closing with screws and hinges on the right side of the enclosures for GAZM3
- Drilled cover for handle assembly
- Factory mounted 35mm DIN rail on the base
- Ground terminal included
- Degree of protection: IP65
- Cable entry: smooth surfaces; can be drilled by customer
- For compatible components see pages 12-23 and 24.

Compliance

Compliant with standards: IEC/EN/BS 60947-1.





12 Switch disconnectors

Overview.
GL series



SWITCH DISCONNECTORS



● **COMPACT SIZE**

The three-pole switch disconnectors are made up of a body with compact dimensions: 162mm/6.38" wide up to 315A, 203mm/7.99" from 320A to 500A and 231mm/9.09" for 630A.

● **UL98 VERSION**

Switch disconnectors are listed for USA and Canada, certified according to UL98/CSA C22.2 n° 4.

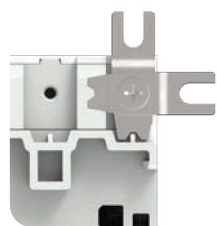


● **FOUR-POLE VERSION AVAILABLE**

Switch disconnectors are supplied with three-pole configuration. To realise the four-pole version, a fourth-pole add-on can be purchased.

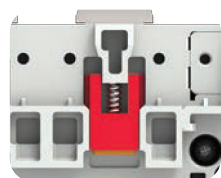
● **EASY INSTALLATION ON DIN RAIL**

The switch disconnectors can be mounted on a DIN rail (for sizes from 160A to 315A) or on a plate by screw fixing.



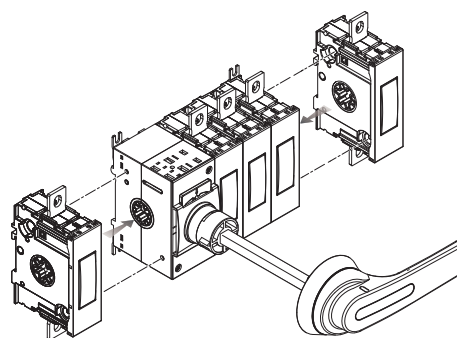
● **FLEXIBLE INSTALLATION ORIENTATION**

Switch disconnectors can be installed in all directions. The clips for screw fixing can be adjusted both in rotation and position (flexible fixing).



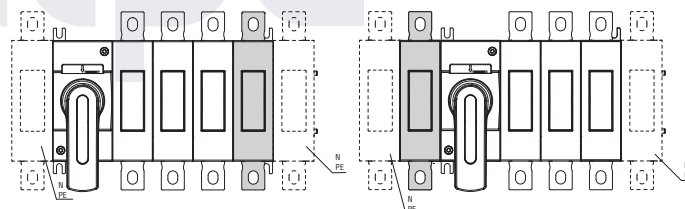
● **ANTI-SLIDE INSERT FOR DIN RAIL**

For sizes from 160A to 315A there are two rubber pad inserts prevent the sliding of switch disconnectors on the DIN rail.



● **COMPONENT FLEXIBILITY**

It is possible to mount the fourth pole, neutral and earth/ground terminals on both sides of the switch disconnectors using 2 screws.



CHANGEOVER SWITCHES



● **COMPACT SIZE**

Changeover switches are made up of a body with compact dimensions:
- 185mm/7.28" wide for three-pole versions up to 315A, 237mm/9.33" from 320A to 500A and 263mm/10.35" for 630A;
- 220mm/8.66" wide for the four-pole versions up to 315A, 281mm/11.06" from 320A to 500A and 317mm/12.48" for 630A.

● **EASY INSTALLATION**

The changeover switches can be mounted on a plate by screws.

● **UL1008 VERSION**

The changeover switches are listed for USA and Canada, certified according to UL1008/CSA C22.2 n° 178.



● **THREE AND FOUR-POLE VERSION**

Changeover switches are already supplied assembled in three-pole and four-pole configuration.

12 Switch disconnectors

Overview.
GL series

● WIDE RANGE OF ACCESSORIES

A wide choice of auxiliary contacts, terminal covers, phase barriers, terminal clamps, bridging bars, shafts and handles are available to satisfy every installation need.

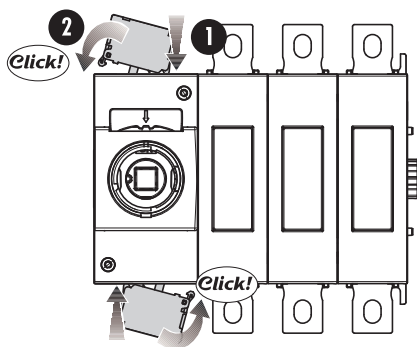
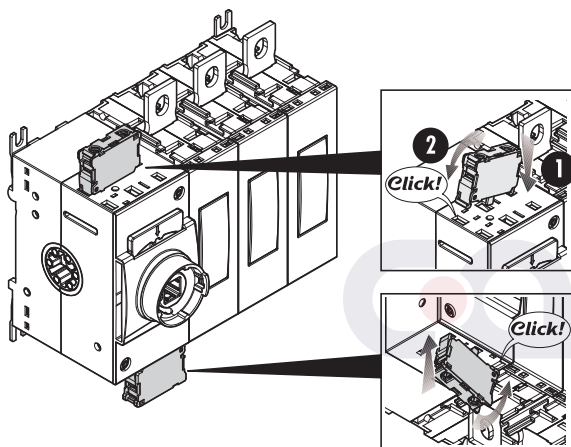


● HIGH IEC ELECTRICAL CAPABILITY

The rated currents in AC23A up to 630A-415V and 500A-690V are the highest of the category.

● ADD-ON AUXILIARY CONTACTS

The same add-on block is suitable for all the switch disconnectors and changeover switches. Contacts are mounted on main switching actuator (max 8 contacts for switch disconnectors; max 4 contacts for changeover switches).



● VISIBLE CONTACTS: MAXIMUM SECURITY!

Thanks to the window on the individual power poles the open or closed switch status is clearly visible at a distance.



● UL508A DEFEATABLE HANDLE

In compliance with UL508A standards, which require internal panel inspection by authorized personnel with power applied, pistol handles are available with defeatable feature of the door coupling when the switch disconnector or the changeover switch is closed, i.e. in ON position.

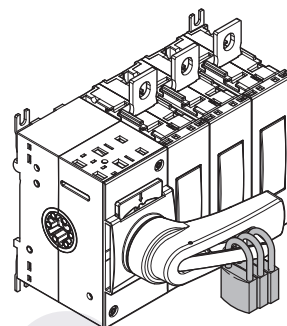
● IP66, IP69K AND NEMA 4X HANDLES

A wide range of screw fixing pistol grip handles are available with the maximum degree of protection on the market.



● PADLOCKABLE HANDLES

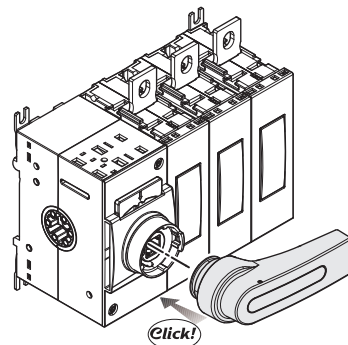
All direct and door coupling handles are equipped with integrated padlock mechanism.



● HANDLES

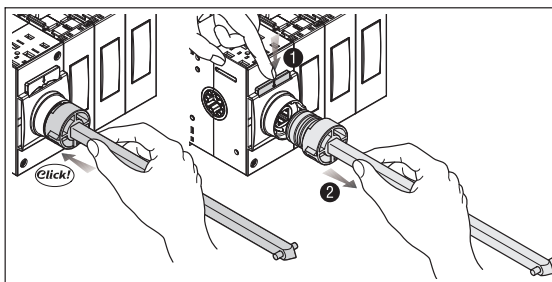
Switch disconnectors and changeover switches are standard supplied without any handles. By purchasing the direct operating handle separately it is possible to create a direct operating version. The handles can be mounted and removed very easily thanks to the snap-on assembly.

By purchasing a shaft extension and a door coupling handle separately it is possible to create the door coupling version.



● SNAP-ON SHAFT MOUNTING

Shafts can be mounted and removed very easily by snapping on the front of the switch. This feature allows fast installation and easy accessibility to the panel in case of maintenance.



12 Switch disconnectors

GL series 160A to 630A

Summary table of combinations



IEC/EN/BS

Type	IEC conventional free air thermal current I _{th}			IEC reactive power for control of capacitors 400V	Fourth pole	Neutral terminal	Earth/ground terminal	Direct operating handle	
	AC21A (≤690V)	AC23A (≤400V)	AC23A (≤500V)					Black	Red/Yellow
Order code	[A]	[A]	[A]	[kvar]	Order code	Order code	Order code	Order code	Order code
IEC/EN three-pole switch disconnectors.									
GL0160C1	160	160	160	80	GLX420315	GLX300	GLX301	GLX61DB	GLX61D
GL0200C1	200	200	200	100					
GL0250C1	250	250	250	115					
GL0315C1	315	315	250	145					
GL0320C1	320	320	320	145	GLX420320	GLX302	GLX303	GLX62DB	GLX62D
GL0400C1	400	400	400	180					
GL0500C1	500	500	500	200	GLX420500				
GL0630C1	630	630	500	250	GLX420630				
IEC/EN three-pole changeover switches.									
GLC0160C1	160	160	160	-	-	-	-	GLX61DB	-
GLC0200C1	200	200	200						
GLC0250C1	250	250	250						
GLC0315C1	315	315	250						
GLC0320C1	320	320	320					GLX62DB	
GLC0400C1	400	400	400						
GLC0500C1	500	500	500						
GLC0630C1	630	630	500						
IEC/EN four-pole changeover switches.									
GLC0160T4C1	160	160	160	-	-	-	-	GLX61DB	-
GLC0200T4C1	200	200	200						
GLC0250T4C1	250	250	250						
GLC0315T4C1	315	315	250						
GLC0320T4C1	320	320	320					GLX62DB	
GLC0400T4C1	400	400	400						
GLC0500T4C1	500	500	500						
GLC0630T4C1	630	630	500						

ULus

Type	General purpose current	Max 3-phase horsepower rating	Fourth pole	Neutral terminal	Earth/ground terminal	Direct operating handle	
						Black	Red/Yellow
Order code	[A]	[HP/Voltage]	Order code	Order code	Order code	Order code	Order code
UL98 three-pole switch disconnectors.							
GL0100C1UL	100	30/240 - 75/480 - 100/600	GLX420100UL	GLX300	GLX301	GLX61DB	GLX61D
GL0200C1UL	200	75/240 - 150/480 - 200/600					
GL0400C1UL	400	125/240 - 250/480 - 350/600	GLX420400UL	GLX302	GLX303	GLX62DB	GLX62D
UL1008 three-pole changeover switches.							
GLC0100C1UL	100	30/240 - 75/480 - 100/600	-	-	-	GLX61DB	-
GLC0200C1UL	200	75/240 - 150/480 - 200/600					
GLC0400C1UL	400	125/240 - 250/480 - 350/600				GLX62DB	
UL1008 four-pole changeover switches.							
GLC0100T4C1UL	100	30/240 - 75/480 - 100/600	-	-	-	GLX61DB	-
GLC0200T4C1UL	200	75/240 - 150/480 - 200/600					
GLC0400T4C1UL	400	125/240 - 250/480 - 350/600				GLX62DB	

- ② 1-piece set. 1 terminal connection for single cable:
 - Maximum conductor cross section: 120mm²/250kcmil;
 - Minimum conductor cross section: 16mm²/6AWG.
- ③ 3-piece set. 3 terminals connection for single cable:
 - Maximum conductor cross section: 120mm²/250kcmil;
 - Minimum conductor cross section: 16mm²/6AWG.
- ④ 1-piece set. 1 terminal connection for single cable:
 - Maximum conductor cross section: 304mm²/600kcmil;
 - Minimum conductor cross section: 33.6mm²/2AWG.



12 Switch disconnectors

GL series 160A to 630A



Door coupling handle		Shaft extensions for door coupling handles				Shaft alignment ring	Auxiliary contacts	Terminal covers	Phase barriers	Terminal clamps	Bridging bars	Captive nuts
Black	Red/Yellow	Order code	Panel depth		Shaft section							
Order code	Order code		Order code	min [mm/in]	max [mm/in]	□ [mm/in]	Order code	Order code	Order code	Order code	Order code	Order code
GLX61B	GLX61	GLX7150S10 GLX7200S10 GLX7300S10 GLX7400S10 GLX7500S10	124/ 4.88"	194/7.64" 244/9.61" 344/13.54" 444/17.48" 544/21.42"	10/0.4"	GLX00	GLX1001 (1NC) GLX1010EA (1EB)	GLX800 (3 pcs) GLX801 (4 pcs)	GLX900 (6 pcs) GLX901 (8 pcs)	GLX500 ⓐ GLX501 ⓑ	–	GLX550 (8 pcs)
GLX62B	GLX62	GLX7150S10 GLX7200S10 GLX7300S10 GLX7400S10 GLX7500S10	157/ 6.18"	227/8.94" 277/10.90" 377/14.84" 477/18.78" 577/22.72"				GLX802 (3 pcs) GLX803 (4 pcs)	GLX902 (6 pcs) GLX903 (8 pcs) Built-in	GLX502 ⓐ GLX503 ⓑ GLX504 ⓒ GLX505 ⓓ		GLX551 (8 pcs)
GLX61CB	–	GLX7150S10 GLX7200S10 GLX7300S10 GLX7400S10 GLX7500S10	220/ 8.66"	290/11.42" 340/13.38" 440/17.32" 540/21.26" 640/25.20"	10/0.4"	GLX00	GLX1001 (1NC) GLX1010EA (1EB)	GLX800 (3 pcs) GLX801 (4 pcs)	GLX900 (6 pcs) GLX901 (8 pcs)	GLX500 ⓐ GLX501 ⓑ	GLX201 (3 pcs) GLX202 (4 pcs)	GLX550 (8 pcs)
GLX62CB		GLX7150S10 GLX7200S10 GLX7300S10 GLX7400S10 GLX7500S10	267/ 10.51"	337/13.27" 387/15.24" 487/19.17" 587/23.11" 687/27.05"				GLX802 (3 pcs) GLX803 (4 pcs)	GLX902 (6 pcs) GLX903 (8 pcs) Built-in	GLX502 ⓐ GLX503 ⓑ GLX504 ⓒ GLX505 ⓓ	GLX206 (3 pcs) GLX207 (4 pcs)	GLX551 (8 pcs)
GLX61CB	–	GLX7150S10 GLX7200S10 GLX7300S10 GLX7400S10 GLX7500S10	220/ 8.66"	290/11.42" 340/13.38" 440/17.32" 540/21.26" 640/25.20"	10/0.4"	GLX00	GLX1001 (1NC) GLX1010EA (1EB)	GLX800 (3 pcs) GLX801 (4 pcs)	GLX900 (6 pcs) GLX901 (8 pcs)	GLX500 ⓐ GLX501 ⓑ	GLX201 (3 pcs) GLX202 (4 pcs)	GLX550 (8 pcs)
GLX62CB		GLX7150S10 GLX7200S10 GLX7300S10 GLX7400S10 GLX7500S10	267/ 10.51"	337/13.27" 387/15.24" 487/19.17" 587/23.11" 687/27.05"				GLX802 (3 pcs) GLX803 (4 pcs)	GLX902 (6 pcs) GLX903 (8 pcs) Built-in	GLX502 ⓐ GLX503 ⓑ GLX504 ⓒ GLX505 ⓓ	GLX206 (3 pcs) GLX207 (4 pcs)	GLX551 (8 pcs)
GLX61B	GLX61	GLX7150S10 GLX7200S10 GLX7300S10 GLX7400S10 GLX7500S10	124/ 4.88"	194/7.64" 244/9.61" 344/13.54" 444/17.48" 544/21.42"	10/0.4"	GLX00	GLX1001 (1NC) GLX1010EA (1EB)	GLX800 (3 pcs) GLX801 (4 pcs)	Built-in	GLX500 ⓐ GLX501 ⓑ	–	GLX550 (8 pcs)
GLX62B	GLX62	GLX7150S10 GLX7200S10 GLX7300S10 GLX7400S10 GLX7500S10	157/ 6.18"	227/8.94" 277/10.90" 377/14.84" 477/18.78" 577/22.72"				GLX802 (3 pcs) GLX803 (4 pcs)	Built-in	GLX502 ⓐ GLX503 ⓑ GLX504 ⓒ GLX505 ⓓ		GLX551 (8 pcs)
GLX61CB	–	GLX7150S10 GLX7200S10 GLX7300S10 GLX7400S10 GLX7500S10	220/ 8.66"	290/11.42" 340/13.38" 440/17.32" 540/21.26" 640/25.20"	10/0.4"	GLX00	GLX1001 (1NC) GLX1010EA (1EB)	GLX800 (3 pcs) GLX801 (4 pcs)	Built-in	GLX500 ⓐ GLX501 ⓑ	GLX201 (3 pcs) GLX202 (4 pcs)	GLX550 (8 pcs)
GLX62CB		GLX7150S10 GLX7200S10 GLX7300S10 GLX7400S10 GLX7500S10	267/ 10.51"	337/13.27" 387/15.24" 487/19.17" 587/23.11" 687/27.05"				GLX802 (3 pcs) GLX803 (4 pcs)	Built-in	GLX502 ⓐ GLX503 ⓑ GLX504 ⓒ GLX505 ⓓ	GLX206 (3 pcs) GLX207 (4 pcs)	GLX551 (8 pcs)
GLX61CB	–	GLX7150S10 GLX7200S10 GLX7300S10 GLX7400S10 GLX7500S10	220/ 8.66"	290/11.42" 340/13.38" 440/17.32" 540/21.26" 640/25.20"	10/0.4"	GLX00	GLX1001 (1NC) GLX1010EA (1EB)	GLX800 (3 pcs) GLX801 (4 pcs)	Built-in	GLX500 ⓐ GLX501 ⓑ	GLX201 (3 pcs) GLX202 (4 pcs)	GLX550 (8 pcs)
GLX62CB		GLX7150S10 GLX7200S10 GLX7300S10 GLX7400S10 GLX7500S10	267/ 10.51"	337/13.27" 387/15.24" 487/19.17" 587/23.11" 687/27.05"				GLX802 (3 pcs) GLX803 (4 pcs)	Built-in	GLX502 ⓐ GLX503 ⓑ GLX504 ⓒ GLX505 ⓓ	GLX206 (3 pcs) GLX207 (4 pcs)	GLX551 (8 pcs)

ⓐ 3-piece set. 3 terminals connection for single cable:
– Maximum conductor cross section: 304mm²/600kcmil;
– Minimum conductor cross section: 33.6mm²/2AWG.

ⓑ 1-piece set. 1 terminal connection for double cables:
– Maximum conductor cross section: 2x152mm²/2x300kcmil;
– Minimum conductor cross section: 2x21.2mm²/2x4AWG.

ⓒ 3-piece set. 3 terminals connection for double cables:
– Maximum conductor cross section: 2x152mm²/2x300kcmil;
– Minimum conductor cross section: 2x21.2mm²/2x4AWG.

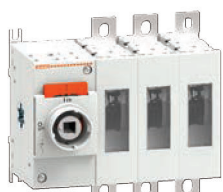


11 Switch disconnectors

GL series 160A to 630A



IEC/EN three-pole switch disconnectors



GL0160C1...GL0315C1



GL0320C1...GL0500C1

Order code	IEC conventional free air thermal current Ith AC21A (≤690V)	IEC rated operational current Ie		Qty per pkg	Wt [kg]
		AC23A (≤400V)	AC23A (≤690V)		
[A]	[A]	[A]	[A]	n°	[kg]

Supplied without handle.

Complete the switch disconnector by selecting shaft extension and handle for door coupling version or the handle for direct operating version (see page 12-33).

GL0160C1	160	160	160	1	1.740
GL0200C1	200	200	200	1	1.740
GL0250C1	250	250	250	1	1.740
GL0315C1	315	315	250	1	1.740
GL0320C1	320	320	320	1	3.460
GL0400C1	400	400	400	1	3.460
GL0500C1	500	500	500	1	3.460
GL0630C1	630	630	500	1	3.780

new

UL98 three-pole switch disconnectors



GL...C1UL

Order code	General purpose current [A]	Max. 3-phase horsepower rating [HP/V]	Qty per pkg	Wt [kg]

Supplied without handle.

Complete the switch disconnector by selecting shaft extension and handle for door coupling version or the handle for direct operating version (see page 12-33).

GL0100C1UL	100	30/240 75/480 100/600	1	1.900
GL0200C1UL	200	75/240 150/480 200/600	1	1.900
GL0400C1UL	400	125/240 250/480 350/600	1	3.780

new

new

IEC/EN fourth pole add-on



GLX420315 GLX420500 GLX420630

Order code	IEC conventional free air thermal current Ith AC21A (≤690V)	IEC rated operational current Ie		Qty per pkg	Wt [kg]
		AC23A (≤400V)	AC23A (≤690V)		
[A]	[A]	[A]	[A]	n°	[kg]

Simultaneous closing operation as switch disconnector poles. For GL0160C1...GL0315C1 versions.

GLX420315	315	315	250	1	0.400
For GL0320C1...GL0630C1 versions.					
GLX420320	320	320	320	1	0.900
GLX420400	400	400	400	1	0.900
GLX420500	500	500	500	1	0.900
GLX420630	630	630	500	1	0.900

new

UL98 fourth pole add-on



GLX420200UL GLX420400UL

Order code	General purpose current [A]	Max. 3-phase horsepower rating [HP/V]	Qty per pkg	Wt [kg]

Simultaneous closing operation as switch disconnector poles. For GL0100C1UL version.

GLX420100UL	100	30/240 75/480 100/600	1	0.410
For GL0200C1UL version.				
GLX420200UL	200	75/240 150/480 200/600	1	0.410
For GL0400C1UL version switch disconnector.				
GLX420400UL	400	125/240 250/480 350/600	1	0.900

new

new

General characteristics

- 160 to 630A AC23 versions
- 100A, 200A and 400A general purpose according to UL98
- Compact dimensions and add-on fourth-pole
- Screw or 35mm DIN rail fixing to 315A, only on a plate from 320A to 630A
- Possibility to adjust the position of the clips for screw fixing on plate
- Visible contacts
- Maximum number of power poles: 4.

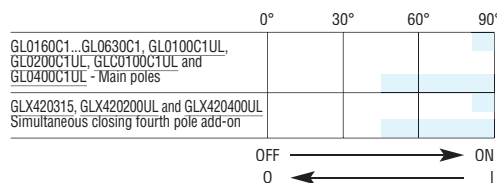
Operational characteristics

- Rated insulation voltage Ui: 1,000V
- Rated impulse withstand Uimp: 12kV
- Mechanical life:
 - 20,000 cycles from 160A to 315A
 - 10,000 cycles from 320A to 630A.

Certifications and compliance

Certifications obtained: cULus according to UL98 / CSA C22.2 n°4 for GL...UL and GLX42...UL types. Compliant with standards: IEC/EN/BS 60947-3, IEC/EN/BS 60947-1.

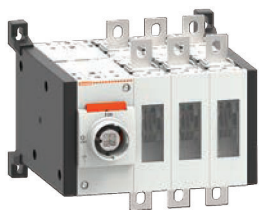
Strokes of GL poles (main poles and add-on pole)



12 Switch disconnectors

GL series 160A to 630A

IEC/EN three-pole changeover switches



GLC0160C1...GLC0315C1

new

Order code	IEC conventional free air thermal current Ith AC21A (≤690V)	IEC rated operational current Ie		Qty per pkg	Wt [kg]
		AC33B (≤400V)	AC33B (≤690V)		
	[A]	[A]	[A]	n°	[kg]
Supplied without handle ❶.					
GLC0160C1	160	160	160	1	3.550
GLC0200C1	200	200	200	1	3.550
GLC0250C1	250	250	250	1	3.550
GLC0315C1	315	315	250	1	3.550
GLC0320C1	320	320	320	1	7.060
GLC0400C1	400	400	400	1	7.060
GLC0500C1	500	500	500	1	7.060
GLC0630C1	630	630	500	1	7.720

General characteristics

- 160 to 630A AC33 versions
- 100A, 200A and 400A general purpose according to UL1008
- Screw fixing on plate
- Visible contacts.

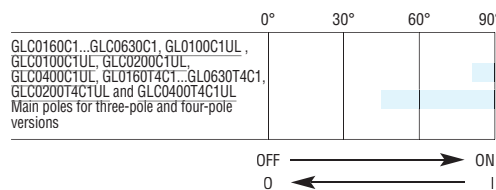
Operational characteristics

- Rated insulation voltage Ui: 1,000V
- Rated impulse withstand Uimp: 12kV
- Mechanical life:
 - 20,000 cycles from 160A to 315A
 - 10,000 cycles from 320A to 630A.

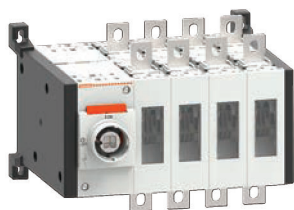
Certifications and compliance

Certifications obtained: cULus according to UL1008 (pending for GLC0400...UL types).
Compliant with standards: IEC/EN 60947-6-1, IEC/EN 60947- 3.

Strokes of GLC poles



IEC/EN four-pole changeover switches



GLC0160T4C1...GLC0315T4C1

new

Order code	IEC conventional free air thermal current Ith AC21A (≤690V)	IEC rated operational current Ie		Qty per pkg	Wt [kg]
		AC33B (≤400V)	AC33B (≤690V)		
	[A]	[A]	[A]	n°	[kg]
Supplied without handle ❶.					
GLC0160T4C1	160	160	160	1	4.330
GLC0200T4C1	200	200	200	1	4.330
GLC0250T4C1	250	250	250	1	4.330
GLC0315T4C1	315	315	250	1	4.330
GLC0320T4C1	320	320	320	1	8.810
GLC0400T4C1	400	400	400	1	8.810
GLC0500T4C1	500	500	500	1	8.810
GLC0630T4C1	630	630	500	1	9.460

UL1008 three-pole changeover switches



GLC0200C1UL

new

new

Order code	General purpose current [A]	Max. 3-phase horsepower rating [HP/V]	Qty per pkg	Wt [kg]
Supplied without handle ❶.				
GLC0100C1UL	100	30/240 75/480 100/600	1	3.800
GLC0200C1UL	200	75/240 150/480 200/600	1	3.800
GLC0400C1UL	400	125/240 250/480 350/600	1	7.560

UL1008 four-pole changeover switches



GLC0200T4C1UL

new

new

Order code	General purpose current [A]	Max. 3-phase horsepower rating [HP/V]	Qty per pkg	Wt [kg]
Supplied without handle ❶.				
GLC0100T4C1UL	100	30/240 75/480 100/600	1	4.590
GLC0200T4C1UL	200	75/240 150/480 200/600	1	4.590
GLC0400T4C1UL	400	125/240 250/480 350/600	1	7.680

❶ Complete the changeover switch by selecting shaft extension and handle for door coupling version or the handle for direct operating version (see page 12-33).



12 Switch disconnectors

GL series 160A to 630A.
Accessories



Add-on blocks



GLX1010EA



GLX1001



GLX300



GLX301

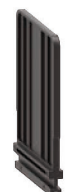
new

new



GLX8...

new



GLX9...

new



GLX5 00 - GLX5 01



GLX502 - GLX503



GLX504 - GLX505

new



GLX55...

new

Order code	Characteristics	Qty per pkg	Wt [kg]
	Auxiliary contacts.	n°	[kg]
GLX1001	1NC with screw terminals	1	0.100
GLX1010EA	1EB with screw terminals	1	0.100
	Neutral terminal.		
GLX300	For GL0100...GL0315	1	0.340
GLX302	For GL0320...GL0630	1	0.680
	Earth/ground terminal.		
GLX301	For GL0100...GL0315	1	0.340
GLX303	For GL0320...GL0630	1	0.680
	One-pole terminal covers.		
GLX800	3-piece set. 3 terminals protections. For GL0100...GL0315 and GLC0100...GLC0315	1	0.060
GLX801	4-piece set. 4 terminals protections. For GL0100...GL0315 and GLC0100...GLC0315	1	0.080
GLX802	3-piece set. 3 terminals protections. For GL0320...GL0630 and GLC0320...GLC0630	1	0.070
GLX803	4-piece set. 4 terminals protections. For GL0320...GL0630 and GLC0320...GLC0630	1	0.095
	One-pole phase barrier (needed for voltages > 500V).		
GLX900	6-piece set. 3 terminals protections. For GL0160...GL0315 and GLC0100...GLC0315	1	0.070
GLX901	8-piece set. 4 terminals protections. For GL0160...GL0315 and GLC0100...GLC0315	1	0.090
GLX902	6-piece set. 3 terminals protections. For GL0320...GL0630 and GLC0320...GLC0630	1	0.011
GLX903	8-piece set. 4 terminals protections. For GL0320...GL0500 and GLC0320...GLC0500	1	0.011
	Terminal clamp sets for rigid and flexible cables.		
GLX500	1-piece set. 1 terminal connection for single cable. For GL0100...GL0315 and GLC0100...GLC0315	1	0.050
GLX501	3-piece set. 3 terminals connection for single cable. For GL0100...GL0315 and GLC0100...GLC0315	1	0.140
GLX502	1-piece set. 1 terminal connection for single cable. For GL0320...GL0630 and GLC0320...GLC0630	1	0.100
GLX503	3-piece set. 3 terminals connection for single cable. For GL0320...GL0630 and GLC0320...GLC0630	1	0.280
GLX504	1-piece set. 1 terminal connection for double cables. For GL0320...GL0630 and GLC0320...GLC0630	1	0.110
GLX505	3-piece set. 3 terminals connection for double cables. For GL0320...GL0630 and GLC0320...GLC0630	1	0.310
	Captive nuts.		
GLX550	8-piece set. For GL0100...GL0315 and GLC0100...GLC0315	1	0.010
GLX551	8-piece set. For GL0320...GL0630 and GLC0320...GLC0630	1	0.010

Operational characteristics of auxiliary contacts GLX10...

- Conventional free air thermal current I_{th}: 10A
- Rated insulation voltage: 690V
- Conductivity: 5V, 1mA
- UL/CSA and IEC/EN 60947-5-1 designation: A600 Q600
- Tightening torque: 0.8Nm/7.1lb.in
- Maximum 8 contacts for GL0100...GL0630 switch disconnectors
- Maximum 4 contacts for GLC0100...GLC0630 changeover switches
- snap-on assembly without the use of tools.

Operational characteristics of neutral and earth/ground terminals GLX3...

- Add-on only on GL0100...GL0630 switch disconnectors
- Tightening torque for GLX300 and GLX301: 15...22Nm/132.7...194.7lb.in
- Tightening torque for GLX302 and GLX303: 30...37Nm/265...327lb.in.

Operational characteristics for terminal covers and phase barriers GLX8..., GLX9...

- Snap-on mounting.

Operational characteristics for terminal clamps GLX500-GLX501

- Maximum conductor cross section: 120mm²/250kcmil
- Minimum conductor cross section: 16mm²/6AWG
- Tightening torque: 35Nm/309.7lb.in.

GLX502-GLX503

- Maximum conductor cross section: 304mm²/600kcmil
- Minimum conductor cross section: 33.6mm²/2AWG
- Tightening torque: 42.4Nm/375lb.in

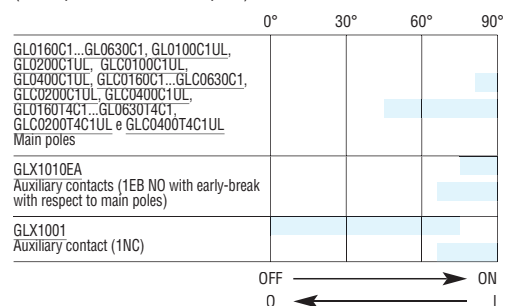
GLX504-GLX505

- Maximum conductor cross section: 2x152mm²/2x300kcmil
- Minimum conductor cross section: 2x21.2mm²/2x4AWG
- Tightening torque: 22.6Nm/200lb.in

Certifications and compliance

Certifications obtained: cULus
Compliant with standards: IEC/EN/BS 60947-1, IEC/EN/BS 60947-3.

Strokes of GL poles (main poles with add-on pole)



12 Switch disconnectors

GL series 160A to 630A.
Accessories

Parallel connections



GLX2...

Order code	Characteristics	Qty per pkg	Wt
		n°	[kg]
One-pole bridging bars for changeover parallel connection GLC0100...GLC0630.			
GLX201	3-piece set. Connection 3 poles. For GLC0100...GLC0315	1	0.180
GLX202	4-piece set. Connection 4 poles. For GLC0100...GLC0315	1	0.200
GLX206	3-piece set. Connection 3 poles. For GLC0320...GLC0630	1	0.190
GLX207	4-piece set. Connection 3 poles. For GLC0320...GLC0630	1	0.255

Handles and shafts



GLX61DB



GLX61D



GLX62DB



GLX61



GLX61B



GLX61CB



GLX00



GLX7...

new

new

Order code	Characteristics	Qty per pkg	Wt
		n°	[kg]
Direct operating handles.			
GLX61DB	For GL0100...GL0315 and GLC0100...GLC0315. Black	1	0.075
GLX61D	For GL0100...GL0315. Red/yellow	1	0.075
GLX62DB	For GL0320...GL0630 and GLC0320...GLC0630. Black	1	0.140
GLX62D	For GL0320...GL0630. Red/yellow	1	0.170

Order code	Characteristics	Qty per pkg	Wt
		n°	[kg]
Door coupling handles.			
GLX61	For GL0100...GL0315. Screw fixing. 125mm/4.92" lever length pistol handle - defeatable (req. UL508A). Red/yellow. □10mm/0.39"	1	0.220
GLX61B	For GL0100...GL0315. Screw fixing. 125mm/4.92" lever length pistol handle - defeatable (req. UL508A). Black. □10mm/0.39"	1	0.220
GLX61CB	For GLC0100...GLC0315. Screw fixing. 125mm/4.92" lever length pistol handle - defeatable (req. UL508A). Black. □10mm/0.39"	1	0.215
GLX62	For GL0320...GL0630. Screw fixing. 175mm/6.89" lever length pistol handle - defeatable (req. UL508A). Red/yellow. □10mm/0.39"	1	0.240
GLX62B	For GL0320...GL0630. Screw fixing. 175mm/6.89" lever length pistol handle - defeatable (req. UL508A). Black. □10mm/0.39"	1	0.240
GLX62CB	For GLC0320...GLC0630. Screw fixing. 175mm/6.89" lever length pistol handle - defeatable (req. UL508A). Black. □10mm/0.39"	1	0.240

Order code	Characteristics	Qty per pkg	Wt
		n°	[kg]
Accessories for door coupling handles.			
GLX00	Shaft alignment ring	1	0.040
Shaft extensions for door coupling handles GLX61, GLX61B, GLX61CB, GLX62, GLX62B, GLX62CB.			
GLX7150S10	150mm/5.90", □10mm/0.39"	1	0.150
GLX7200S10	200mm/7.87", □10mm/0.39"	1	0.190
GLX7300S10	300mm/11.81", □10mm/0.39"	1	0.270
GLX7400S10	400mm/15.75", □10mm/0.39"	1	0.350
GLX7500S10	500mm/19.68", □10mm/0.39"	1	0.430

Operational characteristics for direct operating handles

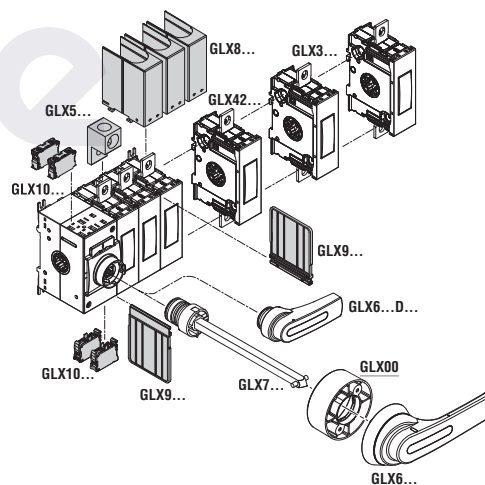
- Snap-on mounting on switch disconnectors and changeover switches
- 1 to 3 padlocks in the Ø4...6mm/0.16...0.24".

Operational characteristics for door coupling handles

- Handle fixing centres: 28x40mm/1.10x1.57"
- 1 to 3 padlocks in the Ø4...8mm/0.16...0.31"
- Tightening torque: 1.5Nm/13.3lb.in
- Degree of protection:
 - Per IEC/EN: IP66 and IP69K
 - Per UL: Type 1, 2, 3R, 12, 12K, 4, 4X external use.

Certifications and compliance

Certifications obtained: cULus.
Compliant with standards: IEC/EN 60947-1, IEC/EN 60947-3.



12 Switch disconnectors

GL series 160A to 315A.
Switch disconnectors in metal enclosure

IEC/EN IP65 in metal enclosure



GLZM0160...GLZM315...

Order code	IEC conventional thermal current Ith AC21A (≤690V)	IEC rated operational current Ie AC23A (≤400V)	Qty per pkg	Wt [kg]
	[A]	[A]	n°	[kg]

THREE-POLE.
With red/yellow handle.

GLZM0160	160	160	1	9.750
GLZM0200	200	200	1	9.750
GLZM0250	250	250	1	9.750
GLZM0315	315	315	1	9.750

THREE-POLE.
With black handle.

GLZM0160B	160	160	1	9.750
GLZM0200B	200	200	1	9.750
GLZM0250B	250	250	1	9.750
GLZM0315B	315	315	1	9.750

FOUR-POLE.
With red/yellow handle.

GLZM0160T4	160	160	1	9.950
GLZM0200T4	200	200	1	9.950
GLZM0250T4	250	250	1	9.950
GLZM0315T4	315	315	1	9.950

FOUR-POLE.
With black handle.

GLZM0160T4B	160	160	1	9.950
GLZM0200T4B	200	200	1	9.950
GLZM0250T4B	250	250	1	9.950
GLZM0315T4B	315	315	1	9.950

Components

Enclosure	Switch disconnector	Handle
GLZM1	GL0160C1	GLX61
GLZM1	GL0200C1	GLX61
GLZM1	GL0250C1	GLX61
GLZM1	GL0315C1	GLX61

GLZM1	GL0160C1	GLX61B
GLZM1	GL0200C1	GLX61B
GLZM1	GL0250C1	GLX61B
GLZM1	GL0315C1	GLX61B

Enclosure	Switch disconnector	4th pole	Handle
GLZM1	GL0160C1	GLX420315	GLX61
GLZM1	GL0200C1	GLX420315	GLX61
GLZM1	GL0250C1	GLX420315	GLX61
GLZM1	GL0315C1	GLX420315	GLX61

GLZM1	GL0160C1	GLX420315	GLX61B
GLZM1	GL0200C1	GLX420315	GLX61B
GLZM1	GL0250C1	GLX420315	GLX61B
GLZM1	GL0315C1	GLX420315	GLX61B

General characteristics

- Enclosure material: painted sheet steel
- Padlockable handle
- Front door closing with screws and hinges on the right side of the enclosure
- Degree of protection: IP65
- Cable entry: smooth surfaces; can be drilled by customer.

Certifications and compliance

Certifications: EAC (pending).
Compliant with standards: IEC/EN/BS 60947-3, IEC/EN/BS 60947-1.

12 Switch disconnectors

GL series 160A to 315A.
Changeover switches in metal enclosure

IEC/EN IP65 in metal enclosure



GLZM0160E...GLZM0315E...

Order code	IEC conventional thermal current lth	IEC rated operational current le		Qty per pkg	Wt [kg]
	AC21A (≤690V)	AC23B (≤400V)	AC23B (≤500V)		
	[A]	[A]	[A]	n°	[kg]
3-pole line changeover switches I-0-II. Black handle					
GLZM0160ET6	160	160	160	1	11.780
GLZM0200ET6	200	200	200	1	11.780
GLZM0250ET6	250	250	250	1	11.780
GLZM0315ET6	315	315	250	1	11.780
4-pole line changeover switches I-0-II. Black handle.					
GLZM0160ET8	160	160	160	1	12.180
GLZM0200ET8	200	200	200	1	12.180
GLZM0250ET8	250	250	250	1	12.180
GLZM0315ET8	315	315	250	1	12.180

Components

Enclosure switch	Changeover	Handle
GLZM1	GLC0160C1	GLX61CB
GLZM1	GLC0200C1	GLX61CB
GLZM1	GLC0250C1	GLX61CB
GLZM1	GLC0315C1	GLX61CB
Enclosure	Changeover switch	Handle
GLZM1	GLC0160T4C1	GLX61CB
GLZM1	GLC0200T4C1	GLX61CB
GLZM1	GLC0250T4C1	GLX61CB
GLZM1	GLC0315T4C1	GLX61CB

General characteristics

- Enclosure material: painted sheet steel
- Padlockable handle
- Front door closing with screws and hinges on the right side of the enclosure
- Degree of protection: IP65
- Cable entry: smooth surfaces; can be drilled by customer.

Certifications and compliance

Certifications: EAC (pending).
Compliant with standards: IEC/EN/BS 60947-6-1, IEC/EN/BS 60947-1.

Enclosures



GLZM1

new

Order code	Enclosure dimensions	Qty per pkg	Wt [kg]
	[mm (in)]		
Painted sheet steel enclosures.			
GLZM1	300x400x250 (11.8x15.75x9.84")	1	5.700

General characteristics

- Painted sheet steel enclosures
- Front door closing with screws and hinges on the right side of the enclosures
- Drilled cover for handle assembly
- Ground terminal included
- Degree of protection: IP65
- Cable entry: smooth surfaces; can be drilled by customer.

Compliance

Compliant with standards: IEC/EN/BS 60947-1.

12 Switch disconnectors

GE series 50A to 1600A.
Three-pole

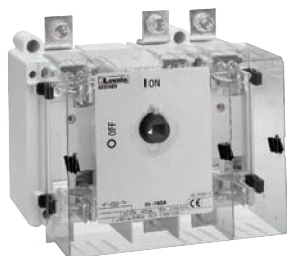
Three-pole switch disconnectors



GE...

Order code	IEC conventional free air thermal current I _{th} AC21A (≤500V)	IEC rated operational current I _e		Qty per pkg	Wt
		AC23A (≤400V)	AC23A (≤500V)		
	[A]	[A]	[A]	n°	[kg]
Separately purchase the handle and shaft extension ❶.					
GE0160P ❶	160	160	125	1	0.850
GE0160	160	160	125	1	0.850
GE0200	200	160	125	1	0.900
GE0250	250❷	160	125	1	0.900
GE0251	250	250	200	1	1.700
GE0315	315	315	250	1	1.700
GE0400	400	400	315	1	1.900
GE0500	500	500	400	1	4.200
GE0630	630	630	500	1	4.200
GE0800	800	800	500	1	4.200
GE1000	1000	1000	800	1	7.000
GE1250	1250	1000	800	1	7.600
GE1600	1600	1000	900	1	20.800

Three-pole switch disconnectors with fuse holder



GE...F - GE...N - GE...B

With NFC fuse holder ❸❹.					
Separately purchase the handle and shaft extension ❶❷.					
Order code	I _{th} [A]	I _e [A]	I _e [A]	Qty per pkg	Wt [kg]
GE0050F ❶	50	50	50	1	1.250
GE0125F ❶	125	125	125	1	1.700
With NH fuse holder ❸.					
Separately purchase the handle and shaft extension ❶❷.					
GE0160N	160	160	125	1	1.700
GE0161N	160	160	160	1	3.100
GE0250N	250	250	250	1	6.600
GE0400N	400	400	400	1	6.600
GE0630N	630	630	630	1	13.000
GE0800N	800	630	630	1	13.000
With BS fuse holder ❸.					
Separately purchase the handle and shaft extension ❶❷.					
GE0160B	160	160	160	1	3.500
GE0200B	200	200	200	1	3.500
GE0250B	250	250	250	1	6.600
GE0315B	315	315	315	1	6.600
GE0400B	400	400	400	1	6.600
GE0630B	630	630	630	1	13.000
GE0800B	800	630	630	1	13.000

- ❶ Refer to the side table for the selection of the handle. A shaft insert is standard-supplied with all direct operating handles so no other shaft extension is required in this case.
- ❷ See table on page 12-42 for the types of fuses.
- ❸ The switch disconnector is standard-supplied with fuse protection shield.
- ❹ Standard supplied with IEC IP20 terminal protection.
- ❺ 250A I_{th}; 200A AC21A ≤500V.

Selection of handles

Refer to the left-hand switch disconnector table for the selection of the handle.
For other accessories see page 12-42.

Direct operating	Door coupling	
	Black	Red/yellow
GEX65D	GAX66NB	GAX66N
GEX66ND	GEX66NB	GEX66N
GEX67ND	GEX67NB	GEX67N
GEX68ND	GEX68NB	GEX68N

Direct operating	Door coupling	
	Black	Red/yellow
GEX61D	GEX61NB	GEX61N

Direct operating	Door coupling	
	Black	Red/yellow
GEX61D	GEX61NB	GEX61N
GEX62D	GEX66NB	GEX66N
GEX63D	GEX67NB	GEX67N
GEX64D	GEX68NB	GEX68N

Direct operating	Door coupling	
	Black	Red/yellow
GEX62D	GEX66NB	GEX66N
GEX63D	GEX67NB	GEX67N
GEX64D	GEX68NB	GEX68N

General characteristics

- 50A to 1600A
- Available versions: direct operating and door coupling
- Screw fixing: 35mm DIN rail mount adapter kit for GE0160P on page 12-42
- Padlockable in 0 position with no extra accessory.

Operational characteristics

- IEC rated insulation voltage U_i:
 - 1000V for GE0160...GE1600, GE0160P, GE0250N/B...GE0800N/B
 - 800V for GE0050F, GE0125F, GE0160N, GE0161N, GE0160B and GE0200B
- Mechanical life:
 - 30,000 cycles for GE0160...GE0250, GE0160P
 - 20,000 cycles for GE0251...GE0400
 - 10,000 cycles for GE0500...GE1600, GE0050, GE0125F, GE0160N/B...GE0400N/B
 - 5,000 cycles for GE0630N/B and GE0800N/B.

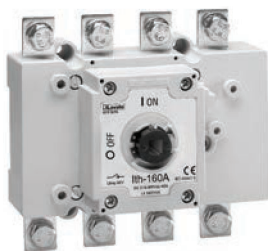
Certifications and compliance

Certifications obtained: EAC.
Compliant with standards: IEC/EN/BS 60947-1, IEC/EN/BS 60947-3.

12 Switch disconnectors

GE series 50A to 1600A.
Four-pole

Four-pole switch disconnectors



GE...T4...

Four-pole switch disconnectors with fuse holder



GE...FT4 - GE...NT4 - GE...BT4

Order code	IEC conventional free air thermal current I _{th} AC21A (≤500V)	IEC rated operational current I _e		Qty per pkg	Wt [kg]
		AC23A (≤400V)	AC23A (≤500V)		
	[A]	[A]	[A]	n°	
Separately purchase the handle and shaft extension ❶.					
GE0160T4P❶	160	160	125	1	1.000
GE0160T4	160	160	125	1	1.000
GE0200T4	200	160	125	1	1.000
GE0250T4	250❷	160	125	1	1.000
GE0251T4	250	250	200	1	1.900
GE0315T4	315	315	250	1	1.900
GE0400T4	400	400	315	1	2.100
GE0500T4	500	500	400	1	4.500
GE0630T4	630	630	500	1	4.500
GE0800T4	800	800	500	1	4.500
GE1000T4	1000	1000	800	1	7.600
GE1250T4	1250	1000	800	1	7.600
GE1600T4	1600	1000	900	1	20.800

With NFC fuse holder ❸❹.

Separately purchase the handle and shaft extension ❶❷.

GE0050FT4❶	50	50	50	1	1.550
GE0125FT4❶	125	125	125	1	2.200

With NH fuse holder ❸.

Separately purchase the handle and shaft extension ❶❷.

GE0160NT4	160	160	125	1	2.200
GE0161NT4	160	160	160	1	8.000
GE0250NT4	250	250	250	1	8.000
GE0400NT4	400	400	400	1	8.000
GE0630NT4	630	630	630	1	15.000
GE0800NT4	800	630	630	1	15.000

With BS fuse holder ❸.

Separately purchase the handle and shaft extension ❶❷.

GE0160BT4	160	160	160	1	4.000
GE0200BT4	200	200	200	1	4.000
GE0250BT4	250	250	250	1	4.000
GE0315BT4	315	315	315	1	8.000
GE0400BT4	400	400	400	1	8.000
GE0630BT4	630	630	630	1	15.000
GE0800BT4	800	630	630	1	15.000

❶ Refer to the side table for the selection of the handle. A shaft insert is standard-supplied with all direct operating handles so no other shaft extension is required in this case.

❷ See table on page 12-43 also for the types of fuses.

❸ The switch disconnector is standard-supplied with fuse protection shield.

❹ Standard supplied with IEC IP20 terminal protection.

❺ See page 12-67 for technical characteristics.

Selection of handles

Refer to the left-hand switch disconnector table for the selection of the handle.

For the other accessories see page 12-43.

Direct operating	Door coupling	
	Black	Red/yellow
GEX65D	GAX66NB	GAX66N
GEX66ND	GEX66NB	GEX66N
GEX67ND	GEX67NB	GEX67N
GEX68ND	GEX68NB	GEX68N

Direct operating	Door coupling	
	Black	Red/yellow
GEX61D	GEX61NB	GEX61N

Direct operating	Door coupling	
	Black	Red/yellow
GEX61D	GEX61NB	GEX61N
GEX62D	GEX66NB	GEX66N
GEX63D	GEX67NB	GEX67N
GEX64D	GEX68NB	GEX68N

Direct operating	Door coupling	
	Black	Red/yellow
GEX62D	GEX66NB	GEX66N
GEX63D	GEX67NB	GEX67N
GEX64D	GEX68NB	GEX68N

General characteristics

- 50A to 1600A
- 4-pole types (3P+N) with early-make late-break neutral pole
- Available versions: direct operating and door coupling
- Screw fixing: 35mm DIN rail mount adapter kit for GE0160T4P on page 12-43
- Padlockable in 0 position with no extra accessory.

Operational characteristics

- IEC rated insulation voltage U_i:
 - 1000V for GE0160T4...GE1600T4, GE0160T4P, GE0250...GE0800NT4/BT4
 - 800V for GE0160NT4/BT4, GE0050FT4, GE0125FT4, GE0161NT4, GE0200BT4.
- Mechanical life:
 - 30,000 cycles for GE0160T4...GE0250T4, GE0160T4P
 - 20,000 cycles for GE0251T4...GE0400T4
 - 10,000 cycles for GE0500T4...GE1600T4, GE0050FT4, GE0125FT4, GE0160...GE0400NT4/BT4.
 - 5,000 cycles for GE0630BT4/BT4 and GE0800NT4/BT4.

Certifications and compliance

Certifications obtained: EAC.
Compliant with standards: IEC/EN/BS 60947-1, IEC/EN/BS 60947-3.

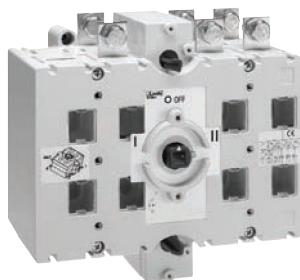


12 Switch disconnectors

GE series 50A to 3150A.
Changeover switches



Three-pole changeover switches

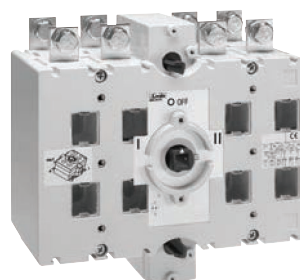


GE...E

Order code	IEC conventional free air thermal current I _{th} AC21A (≤500V)		IEC rated operational current I _e		Qty per pkg	Wt [kg]
	[A]	[A]	AC23B (≤400V)	AC23B (≤500V)		
Separately purchase the handle and shaft extension ❶.						
GE0160E	160	160	125	1	1.800	
GE0200E	200	160	125	1	1.900	
GE0201E	200	160	125	1	4.800	
GE0250E	250	180	150	1	4.800	
GE0315E	315	200	160	1	5.000	
GE0400E	400	250	200	1	5.000	
GE0500E	500	400	250	1	11.500	
GE0630E	630	500	315	1	11.500	
GE0800E	800	630	400	1	11.900	
GE1000E	1000	1000	800	1	21.800	
GE1250E	1250	1000	900	1	23.600	
GE1600E	1600	1000	900	1	50.000	
GE2000E	2000	2000	2000	1	52.000	
GE2500E	2500	2500	2500	1	119.000	
GE3150E	3150	3150	3150	1	139.000	

new

Four-pole changeover switches



GE...ET4

Order code	IEC conventional free air thermal current I _{th} AC21A (≤500V)		IEC rated operational current I _e		Qty per pkg	Wt [kg]
	[A]	[A]	AC23B (≤400V)	AC23B (≤500V)		
Separately purchase the handle and shaft extension ❶.						
GE0160ET4	160	160	125	1	2.100	
GE0200ET4	200	160	125	1	2.200	
GE0201ET4	200	160	125	1	5.300	
GE0250ET4	250	180	150	1	5.300	
GE0315ET4	315	200	160	1	5.500	
GE0400ET4	400	250	200	1	5.500	
GE0500ET4	500	400	250	1	12.600	
GE0630ET4	630	500	315	1	12.600	
GE0800ET4	800	630	400	1	13.200	
GE1000ET4	1000	1000	800	1	24.300	
GE1250ET4	1250	1000	900	1	26.700	
GE1600ET4	1600	1000	900	1	55.000	
GE2000ET4	2000	2000	2000	1	69.000	
GE2500ET4	2500	2500	2500	1	159.000	
GE3150ET4	3150	3150	3150	1	186.000	

new

❶ Refer to the side table for the selection of the handle. A shaft insert is standard-supplied with all direct operating handles so no other shaft extension is required in this case.

Selection of handles

Refer to the left-hand changeover switch table for the selection of the handle.
For the other accessories see pages 12-41.

Direct operating	Door coupling
Black	Black
GEX61E	GEX61NC
GEX62NE	GEX62NC
GEX63NE	GEX63NC
GEX64NE	GEX64NC
GEX641NE	GEX641NC
GEX69ND	GEX69NB

Selection of handles

Refer to the left-hand changeover switch table for the selection of the handle.
For the other accessories see pages 12-41.

Direct operating	Door coupling
Black	Black
GEX61E	GEX61NC
GEX62NE	GEX62NC
GEX63NE	GEX63NC
GEX64NE	GEX64NC
GEX641NE	GEX641NC
GEX69ND	GEX69NB

General characteristics

- 160A to 3150A
- 4-pole types (3P+N) with early-make late-break neutral pole
- Available versions: direct operating and door coupling
- Screw fixing
- Padlockable in 0 position with no extra accessory.

Operational characteristics

- IEC rated insulation voltage U_i: 1000V
- Mechanical life: 30,000 cycles for GE0160E/ET4 and GE0200E/ET4 only; 10,000 cycles for other types.

Certifications and compliance

Certifications obtained: EAC.
Compliant with standards: IEC/EN/BS 60947-1, IEC/EN/BS 60947-3.

12 Switch disconnectors

GE series 50A to 3150A.
Add-on blocks and accessories



GEX10...



GEX8900



GEX8...



GEX691C



GEX69...

Order code	Description	Qty per pkg	Wt
		n°	[kg]

Auxiliary contacts ①②.

GEX1011①②	1NO/1NC changeover	1	0.032
------------------	--------------------	---	-------

GEX1022	2NA/2NC changeover	1	0.032
----------------	--------------------	---	-------

Auxiliary contacts for switch disconnector types GE0050F, GE0050FT4, GE0125F, GE0125FT4, GE0160N and GE0160NT4.

GEX1011N②	1NO/1NC changeover	1	0.024
------------------	--------------------	---	-------

GEX1022N	2NA/2NC changeover	1	0.024
-----------------	--------------------	---	-------

Auxiliary contacts for switch disconnector types GE0160E, GE0200E, GE0160ET4, GE0200ET4, GE1600E and GE1600ET4.

GEX1011M②	1NO/1NC changeover	1	0.016
------------------	--------------------	---	-------

Adapter kit for 35mm DIN fixing.

GEX8900	For GE...P types only	1	0.040
----------------	-----------------------	---	-------

Set of terminal covers consisting of pieces given below.

See pages from 12-41 to 12-43 and 12-47 for choice according to switch disconnector type.

Screw fixing.

GEX8101	1-piece set, transparent sheet covering 4 poles	1	0.048
----------------	---	---	-------

GEX8111	2-piece set, each covers two poles	1	0.080
----------------	------------------------------------	---	-------

GEX8121	2-piece set, each covers two poles	1	0.140
----------------	------------------------------------	---	-------

GEX8131	2-piece set, each covers two poles	1	0.170
----------------	------------------------------------	---	-------

GEX8141	2-piece set, each covers two poles	1	0.440
----------------	------------------------------------	---	-------

Snap-on fixing.

GEX8201	3-piece set, each covers one pole	1	0.090
----------------	-----------------------------------	---	-------

GEX8203	4-piece set, each covers one pole	1	0.120
----------------	-----------------------------------	---	-------

GEX8211	3-piece set, each covers one pole	1	0.120
----------------	-----------------------------------	---	-------

GEX8212	3-piece set, each covers one pole	1	0.120
----------------	-----------------------------------	---	-------

GEX8213	4-piece set, each covers one pole	1	0.160
----------------	-----------------------------------	---	-------

GEX8221	3-piece set, each covers one pole	1	0.240
----------------	-----------------------------------	---	-------

GEX8222	3-piece set, each covers one pole	1	0.240
----------------	-----------------------------------	---	-------

GEX8223	4-piece set, each covers one pole	1	0.320
----------------	-----------------------------------	---	-------

GEX8231	3-piece set, each covers one pole	1	0.340
----------------	-----------------------------------	---	-------

GEX8232	3-piece set, each covers one pole	1	0.340
----------------	-----------------------------------	---	-------

GEX8233	4-piece set, each covers one pole	1	0.440
----------------	-----------------------------------	---	-------

GEX8311	3-piece set, each covers one pole	1	0.120
----------------	-----------------------------------	---	-------

GEX8312	4-piece set, each covers one pole	1	0.160
----------------	-----------------------------------	---	-------

GEX8321	3-piece set, each covers one pole	1	0.260
----------------	-----------------------------------	---	-------

GEX8322	4-piece set, each covers one pole	1	0.340
----------------	-----------------------------------	---	-------

GEX8331	3-piece set, each covers one pole	1	0.360
----------------	-----------------------------------	---	-------

GEX8332	4-piece set, each covers one pole	1	0.460
----------------	-----------------------------------	---	-------

Motorised control unit for changeover switches.

Rated auxiliary supply voltage 230VAC.

Complete with control handle, shaft extension and fixing elements.

GEX690C	For GE0160E...GE0200E and GE0160ET4...GE0200ET4	1	3.000
----------------	---	---	-------

GEX691C	For GE0201E...GE0400E and GE0201ET4...GE0400ET4	1	3.000
----------------	---	---	-------

GEX692C	For GE0500E...GE0800E and GE0500ET4...GE0800ET4	1	3.000
----------------	---	---	-------

GEX693C	For GE1000E...GE1250E and GE1000ET4...GE1250ET4	1	5.753
----------------	---	---	-------

GEX694C	For GE1600...2000E and GE1600...2000ET4	1	5.900
----------------	---	---	-------

GEX695C	For GE2500...3150E and GE2500...3150ET4	1	5.900
----------------	---	---	-------

① Unsuitable for switch disconnectors type GE0050F, GE0050FT4, GE0125F, GE0125FT4, GE0160N, GE0160NT4, GE0160E, GE0200E, GE0160ET4, GE0200ET4, GE1600E and GE1600ET4.

② Changeover contact.

Selection of add-on contacts and accessories

Refer to the combinations given on pages 12-41 to 43 and 12-47 for a correct choice based on the switch disconnector type used.

General characteristics for auxiliary contacts

IEC conventional free air thermal current Ith: 16A.

General characteristics for motorised control units

- IEC rated auxiliary supply voltage: 230VAC
- 4 static outputs, 24VDC 120mA total
- 4 inputs, contacts powered at 24VDC or 5VDC (500mA) for changeover control (pulsed or continuous)
- RS485-Modbus (only for GEX692C, GEX693C and GEX694C) serial port for control, monitoring, programming
- Padlockable at 0 position
- Programming by position inputs
- 4-digit display for status-error indications.

Certifications and compliance

Certifications obtained: EAC.

Compliant with standards: IEC/EN/BS 60947-1, IEC/EN/BS 60947-3.

12 Switch disconnectors

GE series 50A to 3150A.
Handles and shaft extensions



GEX...D - GEX...E



GEX62NE

new



GAX66N

new



GEX66N



GEX68N

new



GEX67NB

new



GAX7...AN



GEX7...

For the correct choice of handles and shaft extensions with switch disconnector see tables on pages 12-41 to 12-43.

Order code	Characteristics	Qty per pkg	Wt
		n°	[kg]

DIRECT OPERATING LEVER HANDLE, PADLOCKABLE ❶.
Rotating type with screw fixing on switch disconnector.
Complete with shaft extension.

GEX61D	95mm/3.7" black lever	1	0.340
GEX61E	50mm/2" black lever	1	0.052
GEX62D	105mm/4.1" black lever	1	0.268
GEX62NE	143mm/5.6" black lever	1	0.266
GEX63D❷	245mm/9.6" black lever	1	0.536
GEX63NE	176mm/6.9" black lever	1	0.424
GEX64D❷	360mm/14.2" black lever	1	0.612
GEX64NE❷	396mm/15.6" black lever	1	0.612
GEX641NE	396mm/15.6" black lever	1	0.620
GEX65D	50mm/2" black lever	1	0.054
GEX66ND	115mm/4.5" black lever	1	0.216
GEX67ND	143mm/5.6" black lever	1	0.322
GEX68ND❷	396mm/15.6" black lever	1	0.328
GEX69ND	604mm/25.2" black lever	1	0.740

DOOR COUPLING LEVER HANDLE, PADLOCKABLE ❶.
Red/yellow rotating type with screw fixing on door.
Shaft extension to order separately ❶.
Defeatable (requirement UL508A).

GAX66N❷	65mm/2.6" lever. □ 7mm/0.3" ❷. IP66	1	0.075
GEX61N	94mm/3.7" lever. □ 7mm/0.3". IP65	1	0.326
GEX66N	115mm/4.5" lever. □ 10mm/0.4". IP65	1	0.248
GEX67N	143mm/5.6" lever. □ 14mm/0.6". IP65	1	0.302
GEX68N❷	396mm/15.6" lever. □ 14mm/0.6". IP65	1	0.312

DOOR COUPLING LEVER HANDLE, PADLOCKABLE ❶.
Black rotating type with screw fixing on door.
Shaft extension to order separately ❶.
Defeatable (requirement UL508A).

GAX66NB❷	65mm/2.6". □ 7mm/0.3" ❷. IP66	1	0.075
GEX61NB	94mm/3.7". □ 7mm/0.3". IP65	1	0.334
GEX61NC	94mm/3.7". □ 7mm/0.3". IP65	1	0.074
GEX62NC	143mm/5.6". □ 10mm/0.4". IP65	1	0.252
GEX63NC	176mm/6.9". □ 14mm/0.6". IP65	1	0.302
GEX64NC❷	396mm/15.6". □ 14mm/0.6". IP65	1	0.488
GEX641NC	396mm/15.6". □ 14mm/0.6". IP65	1	0.500
GEX66NB	115mm/4.5". □ 10mm/0.4". IP65	1	0.246
GEX67NB	143mm/5.6". □ 14mm/0.6". IP65	1	0.298
GEX68NB❷	396mm/15.6". □ 14mm/0.6". IP65	1	0.310
GEX69NB	604mm/25.2". □ 14mm/0.6". IP65	1	0.740

SHAFT EXTENSIONS for door coupling handles ❶.

GAX7150AN	150mm/5.9", □ 7mm/0.3"	1	0.090
GAX7200AN	200mm/7.9", □ 7mm/0.3"	1	0.112
GAX7300AN	300mm/11.8", □ 7mm/0.3"	1	0.160
GAX7400AN	400mm/15.7", □ 7mm/0.3"	1	0.200
GAX7500AN	500mm/19.7", □ 7mm/0.3"	1	0.250
GEX7162N	177mm/7", □ 7mm/0.3"	1	0.056
GEX7195N	195mm/7.7", □ 14mm/0.6"	1	0.248
GEX7227N	227mm/8.9", □ 10mm/0.4"	1	0.154
GEX7239N	239mm/9.4", □ 14mm/0.6"	1	0.310
GEX7250N	250mm/9.8", □ 7mm/0.3"	1	0.084
GEX7345N	345mm/13.6", □ 14mm/0.6"	1	0.480
GEX7375N	375mm/14.7", □ 10mm/0.4"	1	0.274
GEX7387N	387mm/15.2", □ 7mm/0.3"	1	0.142
GEX7536N	536mm/21.1", □ 10mm/0.4"	1	0.408
GEX7535N	535mm/21", □ 14mm/0.6"	1	0.784
GEX7485N	485mm/19.1", □ 14mm/0.6"	1	0.930

Certifications and compliance

Certification obtained: cULus according to UL98A/CSA C22.2 no. 4 only for types GAX66N... and GAX7...AN; EAC for all.
Compliant with standards: IEC/EN/BS 60947-1, IEC/EN/BS 60947-3.

Form and handle length	Handle types
50mm/2"	GEX61E - GEX65D
65mm/2.6"	GAX66N - GAX66NB
94mm/3.7"	GEX61N - GEX61NB GEX61NC
95mm/3.74"	GEX61D
105mm/4.1"	GEX62D
115mm/4.5"	GEX66ND - GEX66NB GEX66N
143mm/5.6"	GEX62NC - GEX62NE GEX67N - GEX67NB GEX67ND
176mm/6.9"	GEX63NC - GEX63NE
245mm/9.6"	2-hand GEX63D
360mm/14.2"	2-hand GEX64D
396mm/15.6"	2-hand GEX64NC - GEX64NE - GEX641NC - GEX641NE - GEX68N - GEX68NB - GEX68ND
604mm/25.2"	2-hand GEX69ND - GEX69NB

❶ See tables on pages 12-41 to 43 and 12-47 for the correct choice based on the switch disconnector type used.
❷ 2-hand control.
❸ Use with GAX7...AN extension types only.



12 Switch disconnectors

GE series 50A to 3150A



Summary table of combinations - Three and four-pole changeover switches

Type	IEC conventional thermal current I _{th}			Direct operating handle			Door coupling handles		Shaft extensions for door coupling handles (the last 3 digits of GEX code indicate length in mm/in)		Auxiliary contacts 1NO/1NC	Motorised control unit	Terminal covers for:		
	AC21A (≤500V)	AC23B (≤400V)	AC23B (≤500V)	Black	Black	Red/yellow	Exten. section	Max panel depth	Line 1	Line 2			Load		
Order code	[A]	[A]	[A]	Order code	Order code	Order code	Order code	<input type="checkbox"/>	[mm/in]	Order code	Order code	Order code	Order code	Order code	

Three-pole changeover switches.

GE0160E	160	160	125	GEX61E	GEX61NC	—	GEX7162N	7mm/ 0.3"	269/10.59"	GEX1011M	GEX690C	GEX8101	①	GEX8101
GE0200E	200	160	125				GEX7250N		342/13.36"			①		
							GEX7387N		479/18.86"					
GE0201E	200	160	125	GEX62NE	GEX62NC	—	GEX7227N	10mm/ 0.4"	279/10.98"	GEX1011	GEX691C	GEX8212	GEX8211	GEX8311
GE0250E	250	180	150				GEX7375N		427/16.81"					
GE0315E	315	200	160				GEX7536N		588/23.15"					
GE0400E	400	250	200											
GE0500E	500	400	250	GEX63NE	GEX63NC	—	GEX7195N	14mm/ 0.6"	257/10.12"		GEX692C	GEX8222	GEX8221	GEX8321
GE0630E	630	500	315				GEX7345N		407/16.02"					
GE0800E	800	630	400				GEX7535N		597/23.50"					
GE1000E	1000	1000	800	GEX64NE	GEX64NC	—			280/11.02"		GEX693C	GEX8232	GEX8231	GEX8331
GE1250E	1250	1000	900						430/16.93"					
									620/24.41"					
GE1600E	1600	1000	900			—	GEX7239N	14mm/ 0.6"	579/22.79"	GEX1011M	GEX694C	GEX8141	—	GEX8141
							GEX7485N		825/32.48"					
GE2000E	2000	1250	500	GEX41NE	GEX41NC	—	—	—	602/23.7"			—	—	—
GE2500E	2500	1800	1250	GEX69ND	GEX69NB	—	—	—	938/36.9"			—	—	—
GE3150E	3150	1800	1400			—	—	—		GEX695C		—	—	—

Four-pole changeover switches.

GE0160ET4	160	160	125	GEX61E	GEX61NC	—	GEX7162N	7mm/ 0.3"	269/10.59"	GEX1011M	GEX690C	GEX8101	①	GEX8101
GE0200ET4	200	160	125				GEX7250N		342/13.36"			①		
							GEX7387N		479/18.86"					
GE0201ET4	200	160	125	GEX62NE	GEX62NC	—	GEX7227N	10mm/ 0.4"	279/10.86"	GEX1011	GEX691C	GEX8213	GEX8213	GEX8312
GE0250ET4	250	180	150				GEX7375N		427/16.81"					
GE0315ET4	315	200	160				GEX7536N		588/23.15"					
GE0400ET4	400	250	200											
GE0500ET4	500	400	250	GEX63NE	GEX63NC	—	GEX7195N	14mm/ 0.6"	257/10.12"		GEX692C	GEX8223	GEX8223	GEX8322
GE0630ET4	630	500	315				GEX7345N		407/16.02"					
GE0800ET4	800	630	400				GEX7535N		597/23.50"					
GE1000ET4	1000	1000	800	GEX64NE	GEX64NC	—			280/11.02"		GEX693C	GEX8233	GEX8233	GEX8332
GE1250ET4	1250	1000	900						430/16.93"					
									620/24.41"					
GE1600ET4	1600	1000	900			—	GEX7239N	14mm/ 0.6"	579/22.79"	GEX1011M	GEX694C	GEX8141	—	GEX8141
							GEX7485N		825/32.48"					
GE2000ET4	2000	1250	500	GEX41NE	GEX41NC	—	—	—	602/23.7"			—	—	—
GE2500ET4	2500	1800	1250	GEX69ND	GEX69NB	—	—	—	938/36.9"		GEX695C	—	—	—
GE3150ET4	3150	1800	1400			—	—	—				—	—	—

① GEX8101 terminal cover protects the input of both Line 1 and Line 2; nothing else is required for Line 2.



12 Switch disconnectors

GE series 50A to 3150A



Summary table of combinations - Three-pole switch disconnectors

Three pole type ①	IEC conventional free air thermal current I _{th}		IEC rated operational current I _e		Direct operating handle			Door coupling handles			Shaft extensions for door coupling handles (the last 3 digits of GEX code indicate length in mm/in)		Auxiliary contacts 1NO/1NC	Type of fuse	Terminal covers for:	
	AC21A (≤500V)	AC23A (≤400V)	AC23A (≤500V)	Black	Black	Red/yellow	Exten. section	Max panel depth	Order code	Line	Load					

Switch disconnectors.

GE0160P ②	160	160	125	GEX65D	GAX66NB	GAX66N	GAX7150AN ③	7mm/0.3"	214/8.42"	GEX1011	—	GEX8101	GEX8101
GE0160	160	160	125				GAX7200AN ③		264/10.39"				
GE0200	200	160	125				GAX7300AN ③		364/14.33"				
GE0250	250	160	125				GAX7400AN ③						
							GAX7500AN ③						
GE0251	250	250	200	GEX66ND	GEX66NB	GEX66N	GEX7227N	10mm/0.4"	267/10.51"			GEX8111	GEX8111
GE0315	315	315	250				GEX7375N		415/16.34"				
GE0400	400	400	315				GEX7536N		576/22.68"				
GE0500	500	500	400	GEX67ND	GEX67NB	GEX67N	GEX7195N	14mm/0.6"	251/9.88"			GEX8121	GEX8121
GE0630	630	630	500				GEX7345N		401/15.79"				
GE0800	800	800	500				GEX7535N		591/23.27"				
GE1000	1000	1000	800	GEX68ND	GEX68NB	GEX68N			267/10.51"			GEX8131	GEX8131
GE1250	1250	1000	800						417/16.42"				
									607/23.90"				
GE1600	1600	1000	900				GEX7239N	14mm/0.6"	399/15.71"			GEX8141	GEX8141
							GEX7485N		645/25.39"				

Switch disconnectors with NFC fuse holder.

GE0050F ④	50	50	50	GEX61D	GEX61NB	GEX61N	GEX7162N	7mm/0.3"	192/7.56"	GEX1011N	14x51	⊗	⊗
GE0125F ④	125	125	125				GEX7250N		265/10.43"		22x58		
							GEX7387N		402/15.83"				

Switch disconnectors with NH fuse holder.

GE0160N	160	160	125	GEX61D	GEX61NB	GEX61N	GEX7162N	7mm/0.3"	192/7.56"	GEX1011N	00	GEX8201	GEX8201
							GEX7250N		265/10.43"				
							GEX7387N		402/15.83"				
GE0161N	160	160	160	GEX62D	GEX66NB	GEX66N	GEX7227N	10mm/0.4"	302/11.89"	GEX1011	0	GEX8211	GEX8212
							GEX7375N		450/11.72"				
							GEX7536N		611/24.05"				
GE0250N	250	250	250	GEX63D	GEX67NB	GEX67N	GEX7195N	14mm/0.6"	271/10.67"		1	GEX8221	GEX8222
GE0400N	400	400	400				GEX7345N		421/16.57"		2		
							GEX7535N		611/24.05"				
GE0630N	630	630	630	GEX64D	GEX68NB	GEX68N			285/11.22"		3	GEX8231	GEX8232
GE0800N	800	630	630						435/17.12"				
									625/24.61"				

Switch disconnectors with BS fuse holder.

GE0160B	160	160	160	GEX62D	GEX66NB	GEX66N	GEX7227N	10mm/0.4"	302/11.89"	GEX1011	A4	GEX8211	GEX8212
GE0200B	200	200	200				GEX7375N		450/11.72"		B1-B2		
GE0250B	250	250	250				GEX7536N		611/24.05"				
GE0315B	315	315	315	GEX63D	GEX67NB	GEX67N	GEX7195N	14mm/0.6"	271/10.67"		B1-B2-B3	GEX8221	GEX8222
GE0400B	400	400	400				GEX7345N		421/16.57"		B1-B2-B3-B4		
							GEX7535N		611/24.05"				
GE0630B	630	630	630	GEX64D	GEX68NB	GEX68N			285/11.22"		C1-C2	GEX8231	GEX8232
GE0800B	800	630	630						435/17.12"		C1-C2-C3		
									625/24.61"				

① The motorised control unit cannot be installed.

② Standard supplied with IP20 terminal protection warranted by wired equipment with only maximum conductor section of 95mm². Suitable for mounting on 35mm DIN rail, GEX8900 kit is available on page 12-39.

③ Standard supplied with IEC IP20 terminal protection warranted by wired equipment with only maximum conductor section of 35mm² for GE0050F and of 95mm² for GE0125F.

④ Extension length for type GAX7150AN is 186mm/7.32", type GAX7200AN 236mm/9.29", type GAX7300AN 336mm/13.23", type GAX7400AN 436mm/17.16" and type GAX7500AN 536mm/21.10".

12 Switch disconnectors

GE series 50A to 3150A

Summary table of combinations - Four-pole switch disconnectors

Four pole type ①	IEC conventional free air thermal current Ith			Direct operating handle	Door coupling handles		Shaft extensions for door coupling handles (the last 3 digits of GEX code indicate length in mm/in)		Auxiliary contacts 1NO/1NC	Type of fuse	Terminal covers for:	
	AC21A (≤500V)	AC23A (≤400V)	AC23A (≤500V)	Black	Black	Red/yellow	Exten. section	Max panel depth			Line	Load
Order code	[A]	[A]	[A]	Order code	Order code	Order code	Order code	<input type="checkbox"/>	[mm/in]	Order code	Order code	Order code

Switch disconnectors.

GE0160T4P ②	160	160	125	GEX65D	GAX66NB	GAX66N	GAX7150AN ③ GAX7200AN ③ GAX7300AN ③ GAX7400AN ③ GAX7500AN ③	7mm/ 0.3"	214/8.42" 264/10.39" 364/14.33"	GEX1011	—	GEX8101	GEX8101
GE0160T4	160	160	125										
GE0200T4	200	160	125										
GE0250T4 ④	250	160	125										
GE0251T4	250	250	200	GEX66ND	GEX66NB	GEX66N	GEX7227N GEX7375N GEX7536N	10mm/ 0.4"	267/10.51" 415/16.34" 576/22.68"			GEX8111	GEX8111
GE0315T4	315	315	250										
GE0400T4	400	400	315										
GE0500T4	500	500	400	GEX67ND	GEX67NB	GEX67N	GEX7195N GEX7345N GEX7535N	14mm/ 0.6"	251/9.88" 401/15.79" 591/23.27"			GEX8121	GEX8121
GE0630T4	630	630	500										
GE0800T4	800	800	500										
GE1000T4	1000	1000	800	GEX68ND	GEX68NB	GEX68N			267/10.51" 417/16.42"			GEX8131	GEX8131
GE1250T4	1250	1000	800						607/23.90"				
GE1600T4	1600	1000	900				GEX7239N GEX7485N	14mm/ 0.6"	399/15.71" 645/25.39"			GEX8141	GEX8141

Switch disconnectors with NFC fuse holder.

GE0050FT4 ⑤	50	50	50	GEX61D	GEX61NB	GEX61N	GEX7162N GEX7250N GEX7387N	7mm/ 0.3"	192/7.56" 265/10.43" 402/15.83"	GEX1011N	14x51 22x58	⑥	⑥
GE0125FT4 ⑤	125	125	125										

Switch disconnectors with NH fuse holder.

GE0160NT4	160	160	125	GEX61D	GEX61NB	GEX61N	GEX7162N GEX7250N GEX7387N	7mm/ 0.3"	192/7.56" 265/10.43" 402/15.83"	GEX1011N	00	GEX8203	GEX8203
GE0161NT4	160	160	160	GEX62D	GEX66NB	GEX66N	GEX7227N GEX7375N GEX7536N	10mm/ 0.4"	302/11.89" 450/17.72" 611/24.05"	GEX1011	0	GEX8213	GEX8213
GE0250NT4	250	250	250	GEX63D	GEX67NB	GEX67N	GEX7195N GEX7345N GEX7535N	14mm/ 0.6"	271/10.67" 421/16.57" 611/24.05"		1	GEX8223	GEX8223
GE0400NT4	400	400	400								2		
GE0630NT4	630	630	630	GEX64D	GEX68NB	GEX68N			285/11.22"		3	GEX8233	GEX8233
GE0800NT4	800	630	630						435/17.12" 625/24.61"				

Switch disconnectors with BS fuse holder.

GE0160BT4	160	160	160	GEX62D	GEX66NB	GEX66N	GEX7227N GEX7375N GEX7536N	10mm/ 0.4"	302/11.89" 450/17.72" 611/24.05"	GEX1011	A4 B1-B2	GEX8213	GEX8213
GE0200BT4	200	200	200										
GE0250BT4	250	250	250										
GE0315BT4	315	315	315	GEX63D	GEX67NB	GEX67N	GEX7195N GEX7345N GEX7535N	14mm/ 0.6"	271/10.67" 421/16.57" 611/24.05"		B1-B2-B3 B1-B2-B3-B4	GEX8223	GEX8223
GE0400BT4	400	400	400										
GE0630BT4	630	630	630	GEX64D	GEX68NB	GEX68N			285/11.22"		C1-C2	GEX8233	GEX8233
GE0800BT4	800	630	630						435/17.12" 625/24.61"		C1-C2-C3		

① The motorised control unit cannot be installed.

② Standard supplied with IP20 terminal protection warranted by wired equipment with only maximum conductor section of 95mm². Suitable for mounting on 35mm DIN rail, GEX89 00 kit is available on page 12-39.

③ 250A Ith; 200A AC21A ≤500V.

④ Standard supplied with IEC IP20 terminal protection warranted by wired equipment with only maximum conductor section of 35mm² for GE0050FT4 and of 95mm² for GE0125FT4.

⑤ Extension length for type GAX7150AN is 186mm/7.32", type GAX7200AN 236mm/9.29", type GAX7300AN 336mm/13.23", type GAX7400AN 436mm/17.16" and type GAX7500AN 536mm/21.10".



12 Fusible disconnect switches (UL98)

GM series 30A to 800A

Three-pole disconnect switches with fuse holder (UL98)



GMF...030C12



GMFJ100C03



GMFJ400C03



GMFL800C03

Add-on blocks



GMX1010



GMX3...



GMX800
GMX801



GMX802
GMX803
GMX804



GMX5...



GMXFM...

- ① Only for GMF...030 types.
- ② For all GM switch disconnectors. Suitable for 1 or 3 phase circuits. Includes 1 NO and 1 NC auxiliary contacts and red/green LED lights for indication.

Order code	General purpose current	UL fuse type	Command pole position	Qty per pkg	Wt
	[A]	[A]		n°	[kg]

Supplied without handle.
Complete the disconnect switch by selecting shaft extension and handle for door coupling version or the handle for direct operating version (see page 12-45).

GMFC030C12	30	CC	Central	1	0.700
GMFJ030C12	30	J	Central	1	0.700
GMFJ060C12	60	J	Central	1	1.135
GMFJ060C03	60	J	Left	1	1.135
GMFJ100C03	100	J	Left	1	1.815
GMFJ200C03	200	J	Left	1	3.000
GMFJ400C03	400	J	Left	1	6.800
GMFJ600C03	600	J	Left	1	13.00
GMFL800C03	800	L	Left	1	13.00

UL/CSA ratings

Type	1 phase [HP]		3 phase [HP]			Short-circuit rating at 600VAC [kA]	Fuse type	
	120V	240V	240V	480V	600V		[A]	[class]
GMFC030C12	2	3	7.5	15	20	200	30	CC
GMFJ030C12	2	3	7.5	15	20	200	30	J
GMFJ060C12	-	-	15	30	50	200	60	J
GMFJ060C03	-	-	15	30	50	200	60	J
GMFJ100C03	-	-	30	60	75	200	100	J
GMFJ200C03	-	-	60	125	150	200	200	J
GMFJ400C03	-	-	125	250	350	200	400	J
GMFJ600C03	-	-	200	400	500	200	600	J
GMFL800C03	-	-	250	500	500	200	800	L

Order code	Description	Qty per pkg	Wt
		n°	[kg]

Auxiliary contacts, mounting to the switch mechanism.

GMX1011 ①	1NO/NC changeover	1	0.020
GMX1010	1NO	1	0.030
GMX1001	1NC	1	0.030

Module for auxiliary contacts mounting on the side of the switch mechanism.

GMX33	For GMF...030 types	1	0.060
GMX34	For GMF...60 to GMF...800 types	1	0.065

Terminal covers.

GMX800	3-piece set, each covers 1 pole for GMFJ100C03	1	0.080
GMX801	3-piece set, each covers 1 pole for GMFJ200C03	1	0.090
GMX802	1-piece set, covers 3 poles for GMFJ400C03	1	0.080
GMX803	1-piece set, covers 3 poles for GMFJ600C03	1	0.080
GMX804	1-piece set, covers 3 poles for GMFL800C03	1	0.080

Terminal clamp sets for rigid and flexible cables.

GMX500	6-piece set for GMFJ100C03	1	0.200
GMX501	6-piece set for GMFJ200C03	1	0.200
GMX502	6-piece set for GMFJ400C03	1	0.500
GMX503	6-piece set for GMFJ400C03	1	1.000
GMX504	6-piece set for GMFJ600C03 and GMFL800C03	1	1.600

Fuse monitor modules ②.

GMXFM1	Rated voltage 120...240V	1	0.145
GMXFM2	Rated voltage 380...600V	1	0.140

Crimp terminals for fuse monitor GMXF... cables.

GMX505	6-piece set. Terminal size 2.8-0.8mm/0.11-0.03"	1	0.004
---------------	---	---	-------

General characteristics

- General purpose current according to UL98: 30A to 800A
- Compact dimensions
- Available versions: direct operating and door coupling
- Screw or 35mm DIN rail fixing for GMF...030 types
- Possibility to adjust the position of the clips for fixing screw on plate for GMF...060 to GMF...800 types.

Operational characteristics

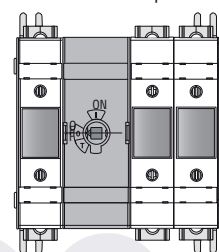
- IEC rated insulation voltage U_i : 1000V
- UL max operating voltage: 600V
- IEC rated impulse withstand U_{imp} : 12kV
- Mechanical life:
 - 10,000 cycles for GMF...030 and GMF...060
 - 8,000 cycles for GMFJ100C03 and GMFJ200C03
 - 5,000 cycles for GMFJ400C03 and GMFJ600C03
 - 3,000 cycles for GMFL800C03.

Certifications and compliance

Certifications obtained: cULus according to UL98 / CSA C22.2 n°4.
Compliant with standards: IEC/EN/BS 60947-3, IEC/EN/BS 60947-1.

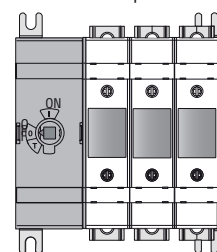
GMF...C12 type

Central command pole



GMF...C03 type

Left command pole



Operational characteristics of auxiliary contacts GMX1011

- IEC conventional free air thermal current I_{th} : 10A
- IEC rated insulation voltage: 400V
- Conductivity: 12V, 25mA
- Tightening torque: 0.8Nm/7.1lb.in
- Maximum 6 contacts for GMF...030 disconnect switches.

Operational characteristics of auxiliary contacts GMX1010/01

- IEC/UL conventional free air thermal current I_{th} : 16A/10A
- IEC/UL rated insulation voltage: 690V/600V
- Conductivity: 24V, 10mA
- UL/CSA and IEC/EN 60947-5-1 designation: A600 R300
- Tightening torque: 0.8Nm/7.1lb.in
- Maximum 8 contacts for GMF...060 to GMFL800 disconnect switches.

Operational characteristics for terminal clamps

- Minimum and maximum conductor cross section:
 - GMX500: 2.5...70mm² / 14-2/0AWG
 - GMX501: 25...150mm² / 4-300Kcmil
 - GMX502: 35...300mm² / 2-600Kcmil
 - GMX503: (2)x 35...150mm² / (2x) 4-300Kcmil
 - GMX504: (2)x 35...300mm² / (2x) 2-600Kcmil
- Tightening torque:
 - GMX500: 13Nm / 120lb.in.
 - GMX501: 22Nm / 200lb.in.
 - GMX502: 42Nm / 375lb.in.
 - GMX503: 22Nm / 200lb.in.
 - GMX504: 22.6Nm / 200lb.in.

Operational characteristics for terminal covers

- Snap-on mounting.

Certifications and compliance

Certifications obtained: cULus for GMX1010, GMX1001, GMXFM1 and GMXFM2.
Compliant with standards: IEC/EN/BS 60947-3, IEC/EN/BS 60947-1.

12 Fusible disconnect switches (UL98)

GM series 30A to 800A.
Accessories

Handles and shafts



GMX62DB



GMX62



GLX00



GMX7...S06

NFPA handle



GMX61NFPA



GMXCL...



GMX30

Order code	Characteristics	Qty per pkg	Wt
		n°	[kg]

Direct operating handles.			
GMX61DB	For GMF...030. Black	1	0.050
GMX62DB	For GMFJ060...GMFJ200. Black	1	0.150
GMX63DB	For GMFJ400. Black	1	0.350
GMX64DB	For GMFJ600...GMFL800. Black	1	1.100
Door coupling handles.			
GAX66N	For GMF...030...GMFJ200. Screw fixing. 65mm/2.56" lever length pistol handle - defeatable (req. UL508A). Red/yellow. □ 6mm/0.24"	1	0.050
GAX66NB	For GMF...030...GMFJ200. Screw fixing. 65mm/2.56" lever length pistol handle - defeatable (req. UL508A). Black. □ 6mm/0.24"	1	0.050
GMX61	For GMFJ400. Screw fixing. 125mm/4.92" lever length pistol handle - defeatable (req. UL508A). Red/yellow. □ 12mm/0.47"	1	0.050
GMX61B	For GMFJ400. Screw fixing. 125mm/4.92" lever length pistol handle - defeatable (req. UL508A). Black. □ 12mm/0.47"	1	0.200
GMX62	For GMFJ600...GMFL800. Screw fixing. 175mm/6.89" lever length pistol handle - defeatable (req. UL508A). Red/yellow. □ 12mm/0.47"	1	0.200
GMX62B	For GMFJ600...GMFL800. Screw fixing. 175mm/6.89" lever length pistol handle - defeatable (req. UL508A). Black. □ 12mm/0.47"	1	0.200

Accessories for door coupling handles.			
GLX00	Shaft alignment ring	1	0.040
Shaft extensions for door coupling handles GAX66N and GAX66NB types.			
GMX7150S06	150mm/5.90", □ 6mm/0.24"	1	0.120
GMX7300S06	300mm/11.81", □ 6mm/0.24"	1	0.155
Shaft extensions for door coupling handles GMX61, GMX61B, GMX62 and GMX62B types.			
GMX7150S12	150mm/5.90", □ 12mm/0.47"	1	0.240
GMX7300S12	300mm/11.81", □ 12mm/0.47"	1	0.280
GMX7500S12	500mm/19.68", □ 12mm/0.47"	1	0.310

Order code	Characteristics	Qty per pkg	Wt
		n°	[kg]

Flange handle.			
GMX61NFPA	For GMF...030...GMFJ200. NEMA 4, 4X. Black	1	1.850
Flexible connection cables for GMX61NFPA.			
GMXCL36	Cable length 914mm/36"	1	0.400
GMXCL48	Cable length 1220mm/48"	1	0.500
GMXCL60	Cable length 1520mm/60"	1	0.550
GMXCL72	Cable length 1828mm/72"	1	0.650
Support and operating mechanism for GMX61NFPA.			
GMX30	For GMF...030	1	0.830
GMX31	For GMFJ060C12	1	1.180
GMX32	For GMF...060...GMFJ200	1	1.520

Operational characteristics for direct operating handles

- Screw fixing on disconnect switches
- 1 to 3 padlocks in the Ø5...6.2mm/0.2...0.24".

Operational characteristics for door coupling handles

- Handle fixing centres: 28x40mm/1.1x1.57"
- 1 to 3 padlocks in the Ø4...8mm/0.16...0.31" for all handles
- Tightening torque: 1.5Nm/13.3lb.in
- Degree of protection: IP66 and NEMA 4X per UL.

NOTE: the handles type GAX66N, GAX66NB, GMX61, GMX61B, GMX62, GMX62B are in accordance with UL/CSA Type 1, 2, 3R, 12, 12K, 4, 4X for external use.

Certifications and compliance

Certifications obtained: cULus for GMX62DB, GMX63DB, GMX64DB, GAX66N, GAX66NB, GMX61, GMX61B, GMX62, GMX62B, GLX00, GMX7...
Compliant with standards: IEC/EN/BS 60947-1, IEC/EN/BS 60947-3.

General characteristics for NFPA handle

The GMX61NFPA lever handle complies with the requirements of the North American NFPA79 standard. This standard requires that the switch disconnecter can be operated without accessories or tools whether the door is closed or open. In case of operation with an open door, a device is integrated into the GMX61NFPA handle to prevent it from being activated unless a voluntary action is taken to unlock it.

Certifications and compliance

Certifications obtained: cURus for GMX61NFPA. Compliant with standards: IEC/EN/BS 60947-1, IEC/EN/BS 60947-3.



12 Switch disconnectors

For photovoltaic applications



GA series switch disconnectors



GA040D



GAX42...D

Order code	IEC conventional free air thermal current Ith	IEC rated operational current Ie DC21B			Qty per pkg	Wt [kg]
		3 poles 500V	4 poles 600V	800V		
[A]	[A]	[A]	[A]	[A]	n°	[kg]

Switch disconnector complete with black handle.

GA040D	40	12	—	—	1	0.135
---------------	----	----	---	---	---	-------

Fourth pole.

GAX42040D	40	—	20	15	1	0.040
------------------	----	---	----	----	---	-------

- ① Connection of 4 poles in series.
- ② For other operational voltages, refer to technical characteristics on page 12-73.

GD series switch disconnectors



GD040AT4

Order code	IEC conventional free air thermal current Ith	IEC rated operational current Ie DC21B				Qty per pkg	Wt [kg]
		≤800V	1000V	1200V	1500V		
[A]	[A]	[A]	[A]	[A]	[A]	n°	[kg]

Switch disconnector complete with black handle.

GD025AT2	25	25	16	—	—	1	0.140
-----------------	----	----	----	---	---	---	-------

GD025AT3	25	25	25	—	—	1	0.180
-----------------	----	----	----	---	---	---	-------

GD032AT3	32	32	32	—	—	1	0.180
-----------------	----	----	----	---	---	---	-------

GD032AT4	32	32	32	25	20	1	0.220
-----------------	----	----	----	----	----	---	-------

GD040AT3	40	40	32	—	—	1	0.180
-----------------	----	----	----	---	---	---	-------

GD040AT4	40	40	40	32	25	1	0.220
-----------------	----	----	----	----	----	---	-------

new

IEC/EN/BS IP65 plastic enclosed GAZ series switch disconnectors



GAZ016DT2



GAZ040DT4

Order code	IEC conventional thermal current Ith	IEC rated operational current Ie DC21B				Qty per pkg	Wt [kg]
		≤800V	1000V	1200V	1500V		
[A]	[A]	[A]	[A]	[A]	[A]	n°	[kg]

With red/yellow handle.

GAZ025DT2	25	25	16	—	—	1	0.450
------------------	----	----	----	---	---	---	-------

GAZ032DT3	32	32	32	—	—	1	1.050
------------------	----	----	----	---	---	---	-------

GAZ040DT4	40	40	40	32	25	1	1.050
------------------	----	----	----	----	----	---	-------

With black handle.

GAZ025DT2B	25	25	16	—	—	1	0.450
-------------------	----	----	----	---	---	---	-------

GAZ032DT3B	32	32	32	—	—	1	1.050
-------------------	----	----	----	---	---	---	-------

GAZ040DT4B	40	40	40	32	25	1	1.050
-------------------	----	----	----	----	----	---	-------

General characteristics

- Up to 40A (1000VDC) and 32A (1200VDC)
- Modular construction
- Jumpers for connecting the poles in series supplied as standard with disconnectors GD series...
- Available versions:
 - Direct operating
 - Door coupling version. Use switch disconnector with direct actuator and separately purchase the handle and shaft extension for this version. See pages 12-14 to 12-16
- Screw or 35mm DIN rail fixing
- Padlockable in 0 position with no extra accessory.

Operational characteristics

- Rated insulation voltage for GA...D and GD...
 - Ui: 1000V (pollution degree 3)
- Rated insulation voltage for GD...
 - Ui: 1500V (pollution degree 2)
- Rated impulse withstand Uimp: 8kV
- Mechanical life:
 - 100,000 cycles GA040D
 - 10,000 cycles GD...
- Operating temperature: -25°C...+55°C
- Storage temperature: -40°C...+70°C
- Degree of protection: IP20 (only for GA040D).

Certifications and compliance

Certifications obtained: UL Listed for USA and Canada (cULus - File E93602) as Manual Motor Controllers, to UL508/CSA C22.2 n° 14 for GA040D and GAX42040D; EAC for GA...D.

Compliant with standards: IEC/EN/BS 60947-3, IEC/EN/BS 60947-1, UL60947-4-1.

Strokes of GA...D types (main poles and add-on pole)

	Travel 0→1	0°	30°	60°	90°
GA040D Main poles					60°
GAX42040D Simultaneous fourth-pole add on					60°

Components

Enclosure	Switch disconnector	Handle included with GAZ...
GAZ1	GD025AT2	GAX61
GAZ2	GD032AT3	GAX61
GAZ2	GD040AT4	GAX61
GAZ1B	GD025AT2	GAX61B
GAZ2B	GD032AT3	GAX61B
GAZ2B	GD040AT4	GAX61B

③ For further details contact our Technical support; see contact details on inside front cover.

General characteristics

- Enclosure material: ABS
- Possible accessories to mount afterwards, if any required:
 - GAX30 to provide shielded cable connection continuity (e.g. with static converters)
- Padlockable handles
- Sealable cover
- Tightening torque for cover screws:
 - GAZ025...: 1.3Nm/16lb.in
 - Other types: 1.5Nm/13lb.in.
- Degree of protection: IP65
- Cable entry:
 - GAZ025... types: PG16/M25 and PG13.5/M20 knockouts
 - GAZ032... and GAZ040... types: PG16/M25 and PG29/M32 knockouts.

Certifications and compliance

Certifications obtained: EAC
Compliant with standards: IEC/EN/BS 60947-3, IEC/EN/BS 60947-1.

12 Switch disconnectors

For photovoltaic applications

GE series four-pole switch disconnectors



GE...DT4

Order code	IEC conventional free air thermal current I _{th}	IEC rated operational current I _e DC21B ②			Qty per pkg	Wt [kg]
		220V	800V	1000V		
[A]	[A]	[A]	[A]	[A]	n°	[kg]

Direct operating and door coupling versions. Separately purchase the handle and shaft extension ①.

GE0125DT4	125	125	125	100	1	1.900
GE0250DT4	250	250	250	200	1	2.000
GE0315DT4	315	315	280	250	1	4.000
GE0630DT4	630	630	600	500	1	4.500
GE0800DT4	800	800	630	630	1	4.500
GE1250DT4	1250	1250	1000	850	1	8.900

① Refer to the side table for the selection of the handle. A shaft insert is standard-supplied with all direct operating handles so no other shaft extension is required in this case.

② Connection of 4 poles in series.

Selection of handles and accessories

Refer to the left-hand switch disconnector table for the selection of the handle. For the other accessories see pages 12-39 and 12-40.

Direct operating	Door coupling	
	Black	Red/yellow
GEX66ND	GEX66NB	GEX66N
GEX67ND	GEX67NB	GEX67N
GEX68ND	GEX68NB	GEX68N

General characteristics

- Up to 850A, 1000VAC
- Available versions:
 - Direct operating
 - Door coupling. Use switch disconnector with direct actuator and separately purchase the handle and shaft extension for this version. See page 12-40
- Screw fixing
- Padlockable in 0 position with no extra accessory.

Operational characteristics

- IEC rated insulation voltage U_i: 1000V
- Mechanical life:
 - 20,000 cycles for GE0125DT4, GE0250DT4, GE0315DT4
 - 10,000 cycles for GE0630DT4, GE0800DT4, GE1250DT4.

Certifications and compliance

Certifications obtained: EAC.
Compliant with standards: IEC/EN/BS 60947-1, IEC/EN/BS IEC/EN/BS 60947-3.

Summary table of combinations - switch disconnectors for photovoltaic applications

Four pole type ③	IEC conventional free air thermal current I _{th}	IEC rated operational current I _e DC21B ②			Direct operating handle			Door coupling handles			Shaft extensions for door coupling handles (the last 3 digits of GEX code indicate length in mm/in)		Auxiliary contacts 1NO/1NC	Terminal covers for:	
		600V	800V	1000V	Black	Black	Red/yellow	Exten. section	Max panel depth	Line	Load				
Order code	[A]	[A]	[A]	[A]	Order code	Order code	Order code	Order code	<input type="checkbox"/>	[mm/in]	Order code	Order code	Order code		

Switch disconnectors for photovoltaic applications.

GE0125DT4	125	125	125	100	GEX66ND	GEX66NB	GEX66N	GEX7227N	10mm/ 0.4"	267/10.51" 415/16.34" 576/22.68"	GEX1011	GEX8111	GEX8111
GE0250DT4	250	250	200										
GE0315DT4	315	315	280	250									
GE0630DT4	630	630	600	500	GEX67ND	GEX67NB	GEX67N	GEX7195N	14mm/ 0.6"	251/9.88" 401/15.79" 591/23.27"	GEX8121	GEX8121	
GE0800DT4	800	700	630	630									
GE1250DT4	1250	1250	1000	850	GEX68ND	GEX68NB	GEX68N	GEX7345N GEX7535N		267/10.51" 417/16.42" 607/23.90"	GEX8131	GEX8131	

③ The motorised control unit cannot be installed.



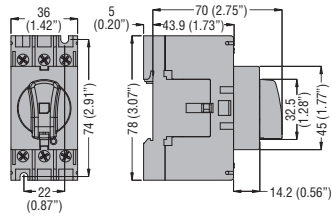
12 Switch disconnectors

Dimensions [mm(in)]

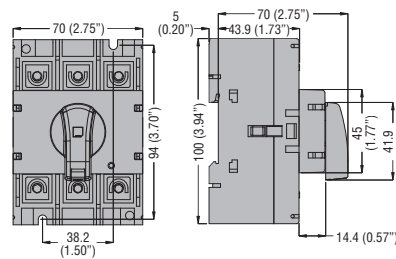
GA SERIES - 16A TO 160A SWITCH DISCONNECTORS

Direct operating version

GA016A...GA040A...
GA063SA...
GA040D

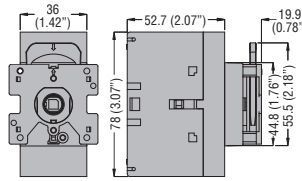


GA030A... - GA063A...GA160A...

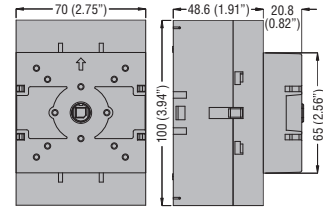


Door mount version

GA016C...GA040C
GA063SC



GA030C - GA063C...GA160C

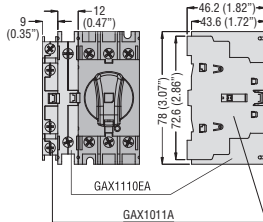


ADD-ON BLOCKS AND ACCESSORIES

For GA016A...GA040A..., GA063SA..., GA040D

Auxiliary contacts

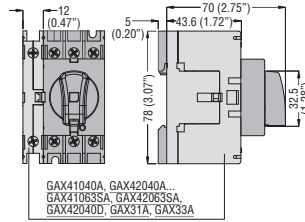
GAX1011A
GAX1110EA



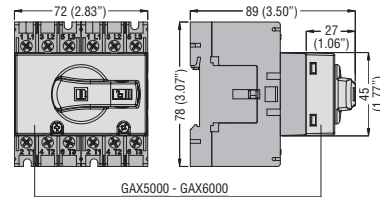
Fourth pole

GAX41040A - GAX42040A
GAX41063SA - GAX42063SA
GAX42040D

Neutral **GAX31A** - earth/ground **GAX33A** terminals



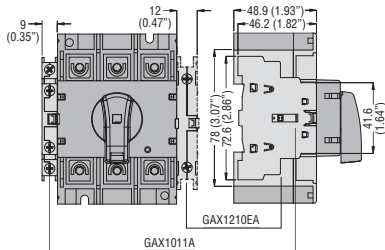
Mechanical interlock **GAX5000** and mechanical coupling system **GAX6000**



For GA030A, GA063A...GA160A

Auxiliary contacts

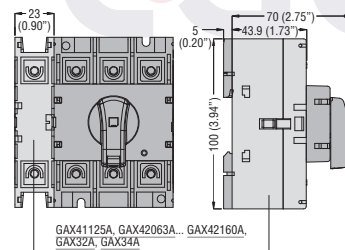
GAX1011A
GAX1210EA



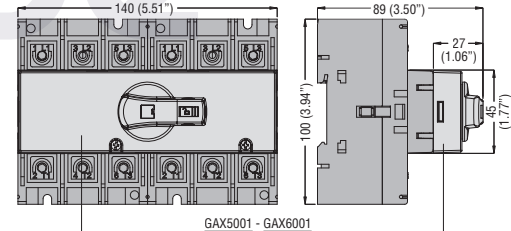
Fourth pole

GAX41125A
GAX42063A...GAX42160A

Neutral **GAX32A** - earth/ground **GAX34A** terminals



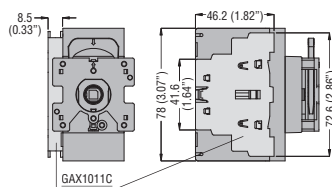
Mechanical interlock **GAX5001** and mechanical coupling system **GAX6001**



For GA016C...GA040C and GA063SC

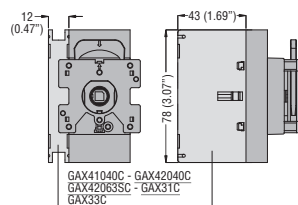
Auxiliary contacts

GAX1011C



Fourth pole **GAX41040C - GAX42040C and GAX42063C**

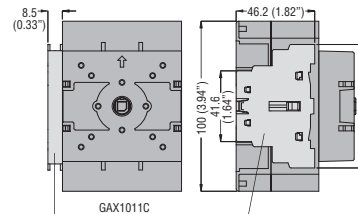
Neutral **GAX31C** - earth/ground **GAX33C** terminals



For GA030C, GA063C...GA160C

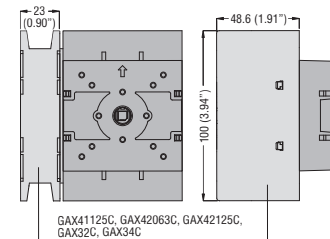
Auxiliary contacts

GAX1011C



Fourth pole **GAX41125C - GAX42063C...GAX42160C**

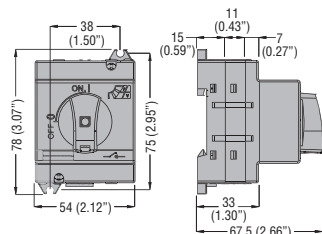
Neutral **GAX32C** - earth/ground **GAX34C** terminals



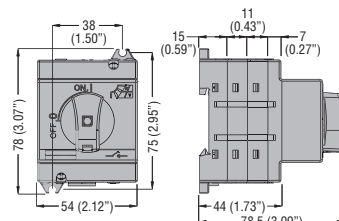
GD SERIES SWITCH DISCONNECTORS

Direct operating version

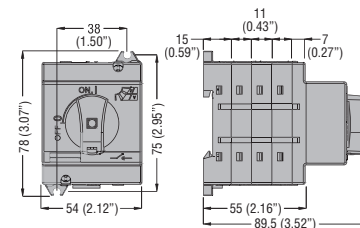
GD...AT2



GD...AT3



GD...AT4





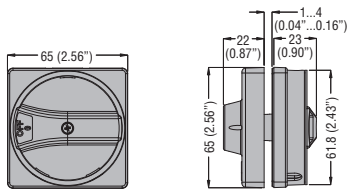
12 Switch disconnectors

Dimensions [mm(in)]

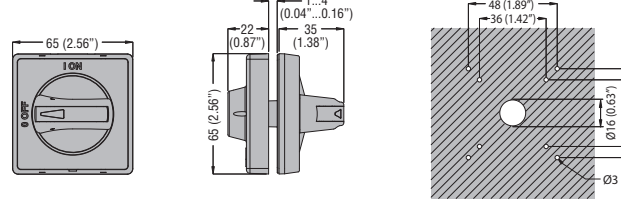


Handles

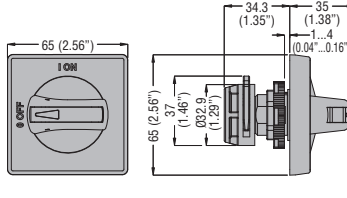
GAX61/61B



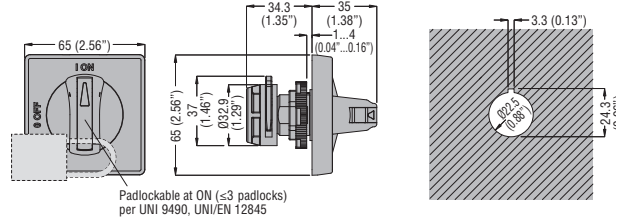
GAX62/62B



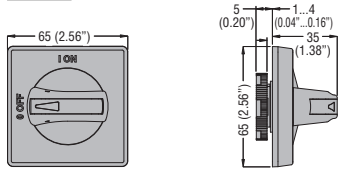
GAX63/63B/63K/63BK



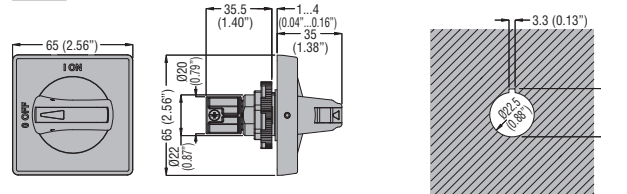
GAX631B



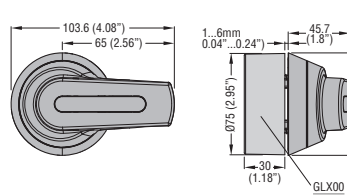
GAX632/2B



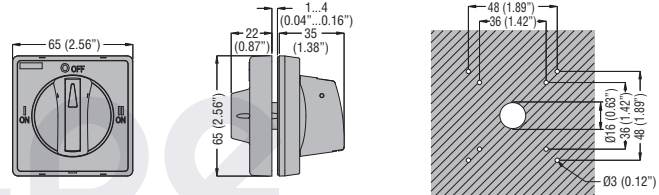
GAX64/64B



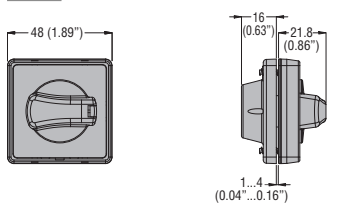
GAX66N/66NB



GAX67B

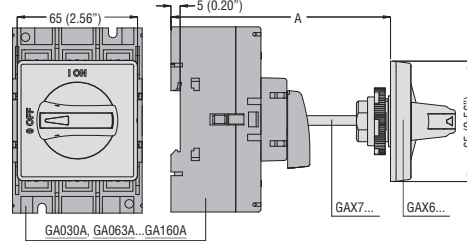
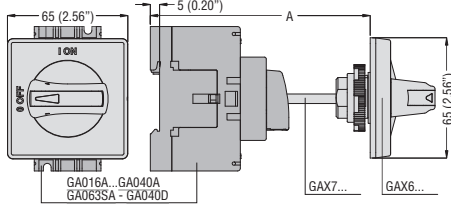


GAX68/68B



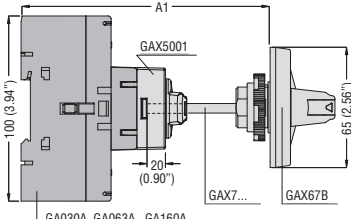
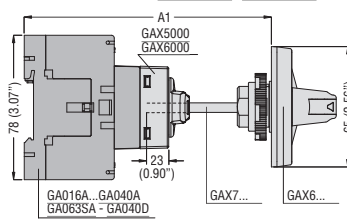
Shaft extensions for door coupling handles

GAX7...



Extension	Length [mm (in)]	A [mm (in)] maximum					
		Type of handle					
		GAX61...	GAX62...	GAX63...	GAX64...	GAX67 B	GAX68...
GAX7055	55 (2.16)	99 (3.90)	97 (3.82)	102 (4.01)	116 (4.57)	97 (3.82)	98.5 (3.88)
GAX7070	70 (2.75)	114 (4.49)	112 (4.41)	117 (4.61)	131 (5.16)	112 (4.41)	113.5 (4.47)
GAX7090	90 (3.54)	134 (5.27)	132 (5.20)	137 (5.39)	151 (5.94)	132 (5.20)	133.5 (5.25)
GAX7150	150 (5.90)	194 (7.64)	192 (7.56)	197 (7.75)	211 (8.31)	192 (7.56)	193.5 (7.62)
GAX7200	200 (7.87)	244 (9.61)	242 (9.53)	247 (9.72)	261 (10.27)	242 (9.53)	243.5 (9.59)
GAX7300	300 (11.81)	344 (13.54)	342 (13.46)	347 (13.66)	361 (14.21)	342 (13.46)	343.5 (13.52)
GAX7400	400 (15.75)	444 (17.48)	442 (17.40)	447 (17.60)	461 (18.15)	442 (17.40)	443.5 (17.46)
GAX7500	500 (19.68)	544 (21.42)	542 (21.34)	547 (21.53)	561 (22.09)	542 (21.34)	543.5 (21.40)

GAX7... used with GAX5000, GAX5001 and GAX6000



Extension	Length [mm (in)]	A1 [mm (in)] maximum					
		Used with GAX6000		Used with GAX5000/GAX5001			
		Type of handle					
		GAX61...	GAX62...	GAX63...	GAX64...	GAX68...	GAX67B
GAX7055	55 (2.16)	116 (4.57)	114 (4.49)	119 (4.68)	133 (5.24)	115.5 (4.55)	114 (4.49)
GAX7070	70 (2.75)	131 (5.16)	129 (5.08)	134 (5.27)	148 (5.83)	130.5 (5.14)	129 (5.08)
GAX7090	90 (3.54)	151 (5.94)	149 (5.87)	154 (6.06)	168 (6.61)	150.5 (5.92)	149 (5.87)
GAX7150	150 (5.90)	211 (8.31)	209 (8.23)	214 (8.42)	228 (8.98)	210.5 (8.29)	209 (8.23)
GAX7200	200 (7.87)	261 (10.27)	259 (10.20)	264 (10.39)	278 (10.94)	260.5 (10.25)	259 (10.20)
GAX7300	300 (11.81)	361 (14.21)	359 (14.13)	364 (14.33)	378 (14.88)	360.5 (14.20)	359 (14.13)
GAX7400	400 (15.75)	461 (18.15)	459 (18.07)	464 (18.27)	468 (18.42)	460.5 (18.13)	459 (18.07)
GAX7500	500 (19.68)	561 (22.09)	559 (22.01)	564 (22.20)	578 (22.75)	560.5 (22.07)	559 (22.01)

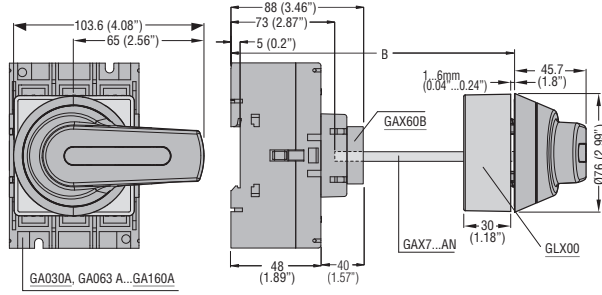


12 Switch disconnectors

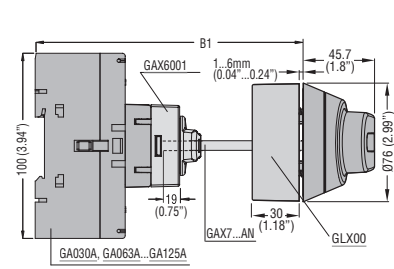
Dimensions [mm(in)]



GAX7...AN used with GAX60B and GAX66N/66NB



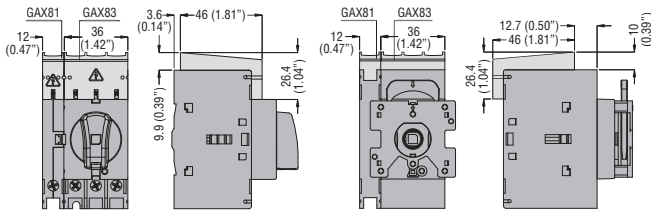
GAX7...AN used with GAX6001 and GAX66N/66NB



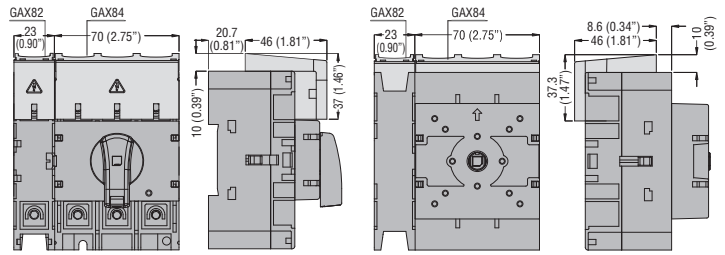
Extension	Length [mm(in)]	B with GAX66N/66NB handle	
		[mm(in)]	[mm(in)]
GAX7150AN	178 (7.00)	120...226 (4.72"...9.00")	120...223 (4.72"...8.80")
GAX7200AN	228 (8.98)	120...276 (4.72"...10.87")	120...273 (4.72"...10.75")
GAX7300AN	328 (12.91)	120...376 (4.72"...14.80")	120...373 (4.72"...14.68")
GAX7400AN	428 (16.85)	120...476 (4.72"...18.74")	120...473 (4.72"...18.62")
GAX7500AN	528 (20.79)	120...576 (4.72"...22.68")	120...573 (4.72"...22.56")

Terminal covers

GAX81 - GAX83

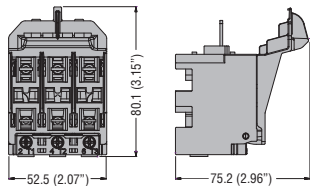


GAX82 - GAX84



Fuse holder

GAX391 - GAX391UL



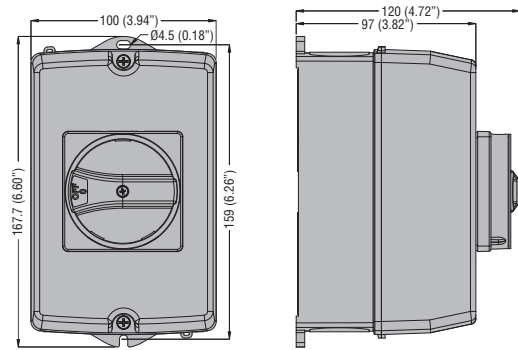
ENCLOSED SWITCH DISCONNECTORS AND EMPTY ENCLOSURES

GAZ016...GAZ040...

GAZ016...GAZ040...UL

GAZ1... - GAZ1...UL

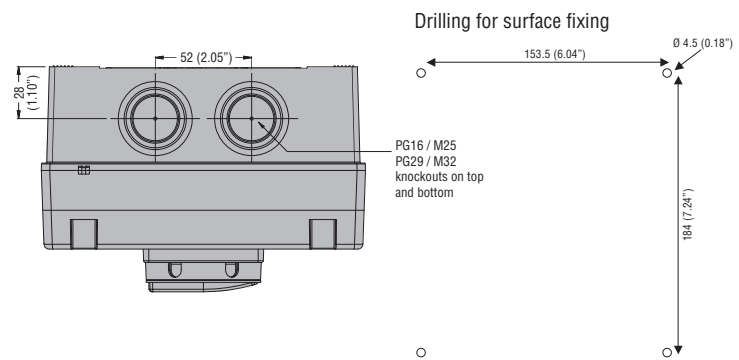
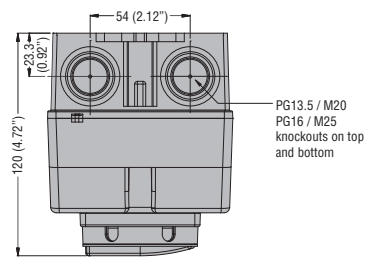
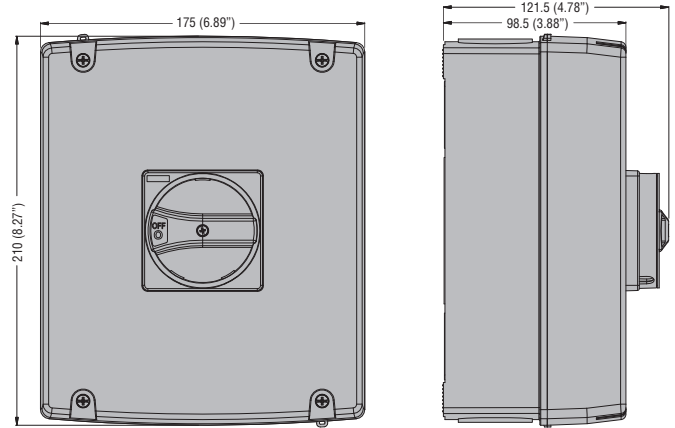
GAZ025D...



GAZ063SA...GAZ100C...

GAZ063SAUL...

GAZ2... - GAZ2...UL

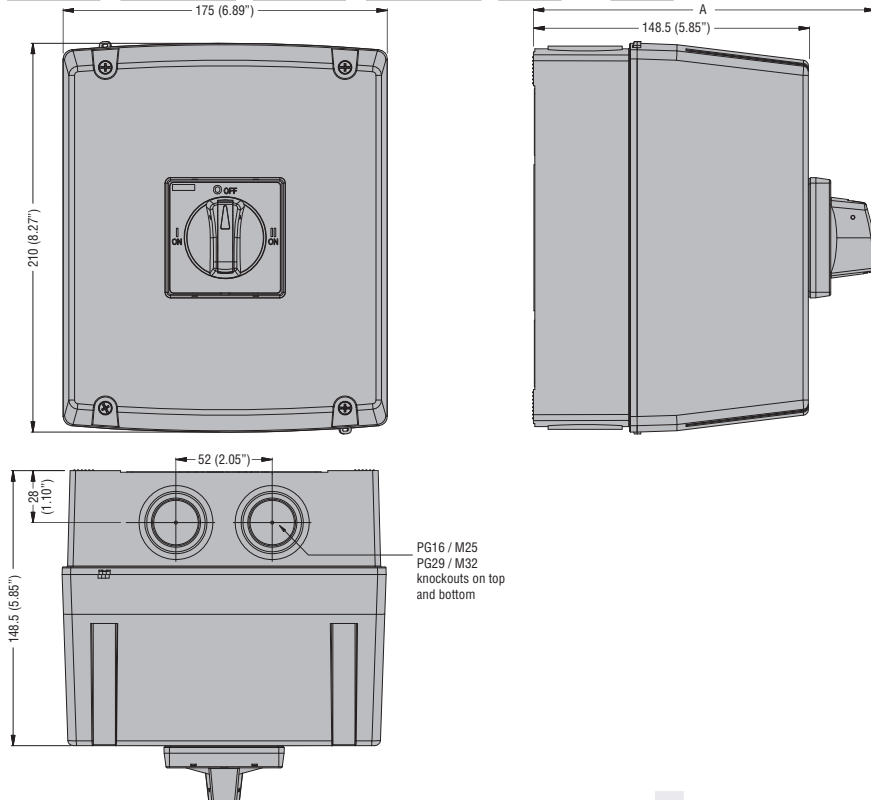


Drilling for surface fixing

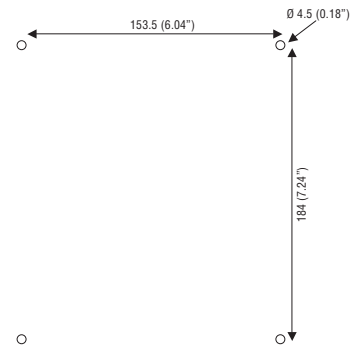
12 Switch disconnectors

Dimensions [mm(in)]

GAZ025ET6...GAZ063SAET6 - GAZ025ET8...GAZ063SAET8 - GAZ032D... - GAZ040D...

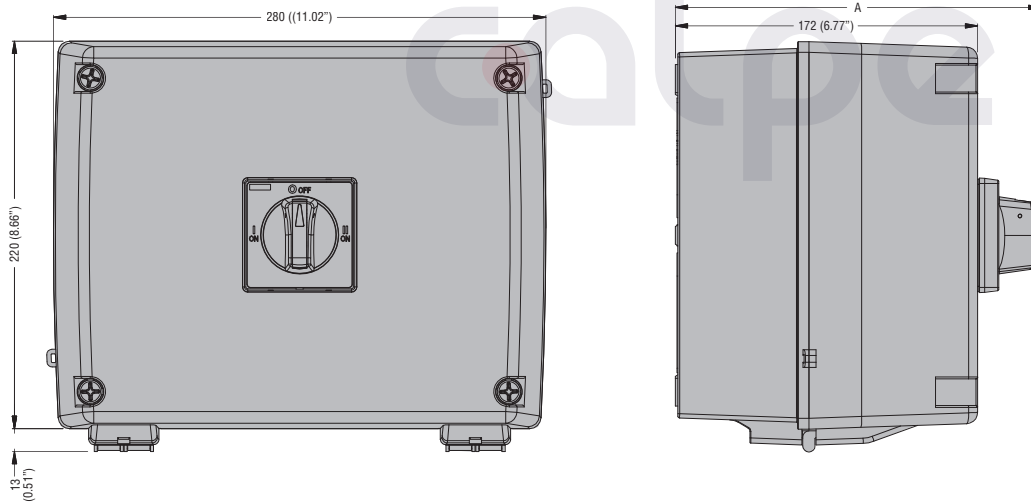


Drilling



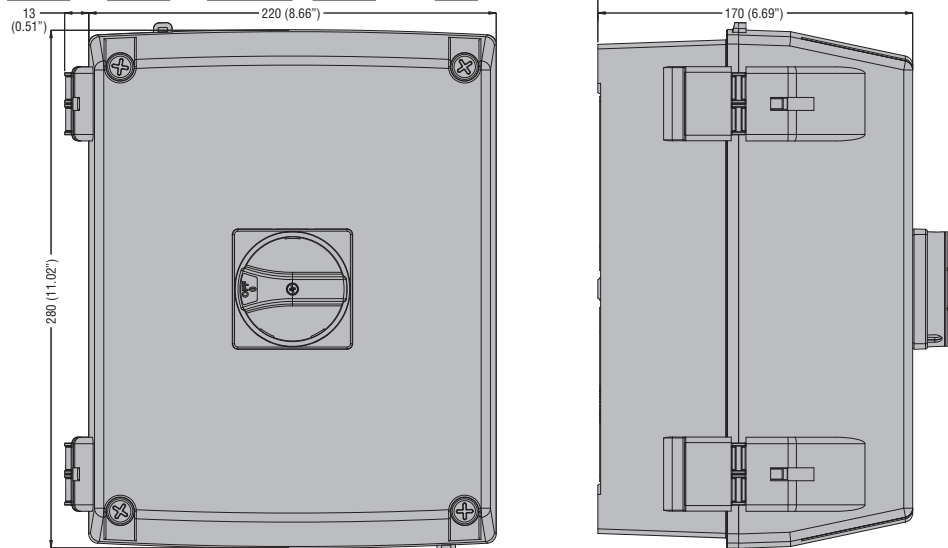
Type	A
GAZ032D...	171.5 (6.75")
GAZ040D...	171.5 (6.75")
GAZ025ET...	183.5 (7.22")
GAZ063SAET...	183.5 (7.22")

GAZ125... - GAZ063...UL - GAZ125...UL - GAZ080ET6 - GAZ125ET6 - GAZ160ET6 - GAZ080ET8 - GAZ125ET8 - GAZ160ET8



Type	A
GAZ125	193 (7.60")
GAZ063...UL	193 (7.60")
GAZ125...UL	193 (7.60")
GAZ080ET6	208 (8.19")
GAZ125ET6	208 (8.19")
GAZ160ET6	208 (8.19")
GAZ080ET8	208 (8.19")
GAZ125ET8	208 (8.19")
GAZ160ET8	208 (8.19")

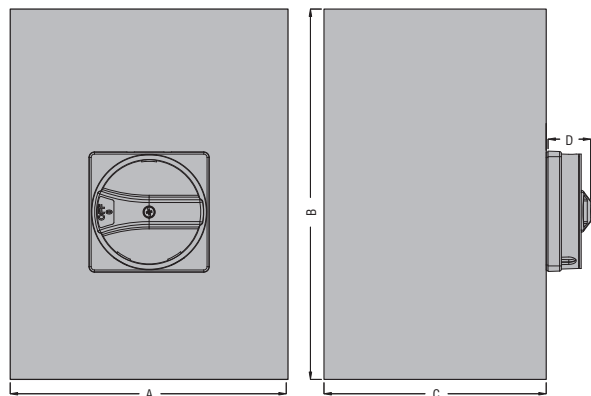
GAZ125... - GAZ160... - GAZ080UL...GAZ125...UL - GAZ3...



12 Switch disconnectors

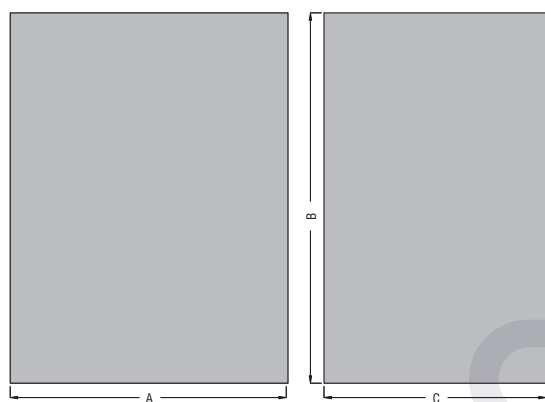
Dimensions [mm(in)]

SWITCH DISCONNECTORS AND CHANGEOVER SWITCHES IN METAL AND STAINLESS STEEL AISI 304 ENCLOSURES



Type	A	B	C	D
GAZM016...GAZM100...	150 (5.90")	200 (7.87")	120 (4.72")	23 (0.90")
GAZM125...GAZM160...	200 (7.87")	300 (11.81")	120 (4.72")	23 (0.90")
GAZM016E...GAZM063SAE...	150 (5.90")	200 (7.87")	120 (4.72")	35 (1.38")
GAZM063ET6...GAZM160ET6...	200 (7.87")	300 (11.81")	120 (4.72")	35 (1.38")
GAZM063ET8...GAZM160ET8...	300 (11.81")	400 (15.75")	120 (4.72")	35 (1.38")
GAZS016...GAZS100...	150 (5.90")	200 (7.87")	120 (4.72")	23 (0.90")
GLZM0160...GLZM0315...	300 (11.81")	400 (15.75")	250 (9.84")	45.7 (1.80")
GLZM0160E...GLZM0315E...	300 (11.81")	400 (15.75")	250 (9.84")	45.7 (1.80")

EMPTY METAL ENCLOSURES



Type	A	B	C
GAZM1	150 (5.90")	200 (7.87")	120 (4.72")
GAZM2	200 (7.87")	300 (11.81")	120 (4.72")
GAZM3	300 (11.81")	400 (15.75")	120 (4.72")
GAZS1	150 (5.90")	200 (7.87")	120 (4.72")
GLZM1	300 (11.81")	400 (15.75")	250 (9.84")



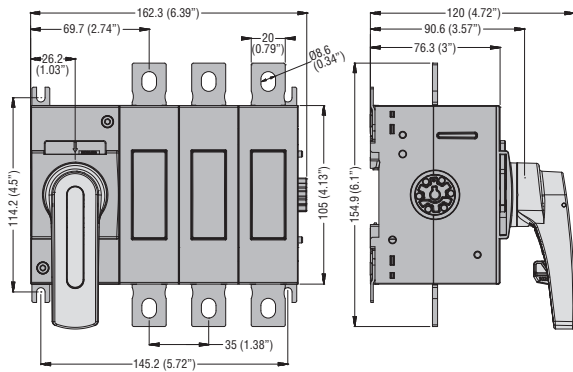


12 Switch disconnectors

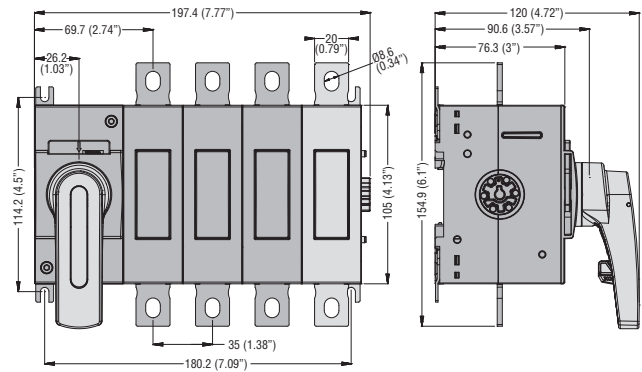
Dimensions [mm(in)]

GL SERIES 100A TO 630A SWITCH DISCONNECTORS

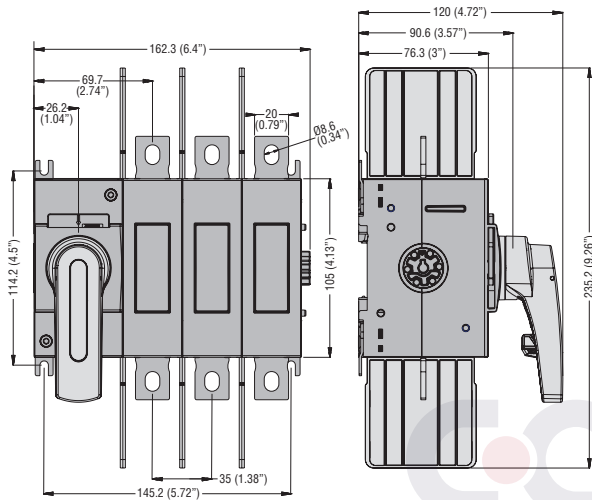
GL0160C1...GL0315C1



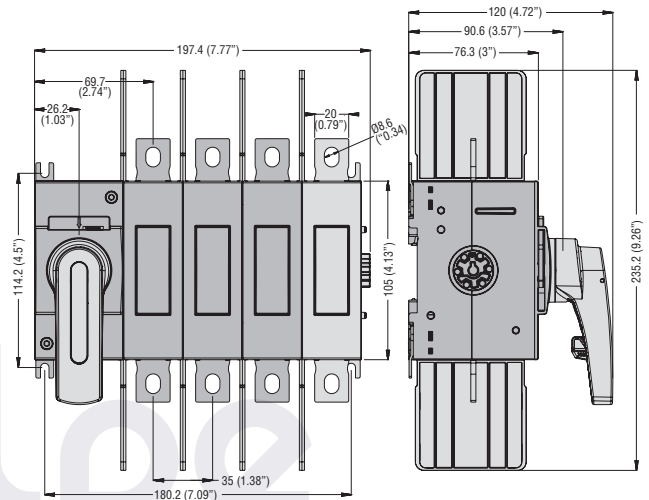
GL0160C1...GL0315C1 with add-on fourth pole GLX420315



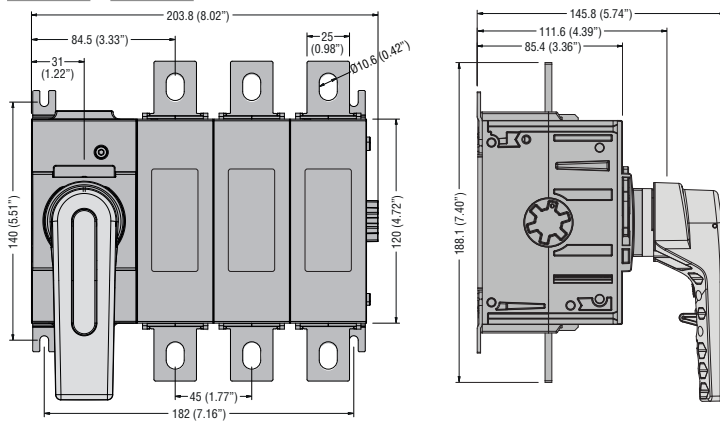
GL0100C1UL - GL0200C1UL



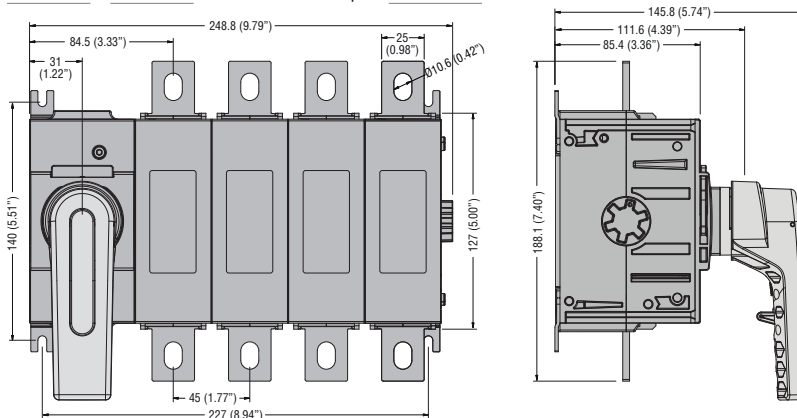
GL0100C1UL - GL0200C1UL with add-on fourth pole GLX420100UL - GLX420200UL



GL0320C1...GL0500C1



GL0320C1...GL0500C1 with add-on fourth pole GLX420320...0500



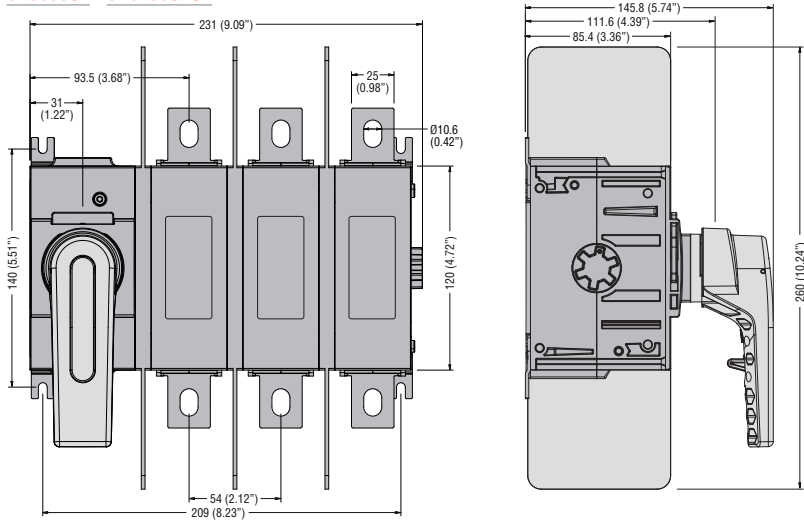


12 Switch disconnectors

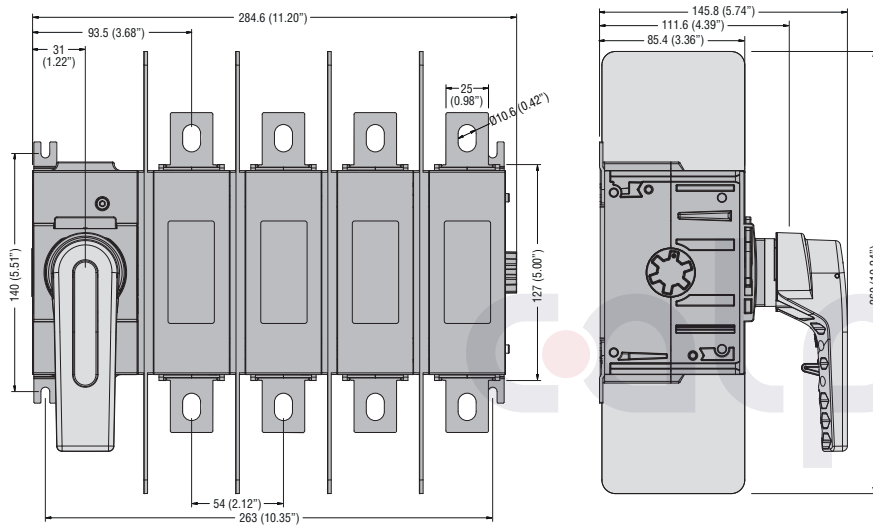
Dimensions [mm(in)]



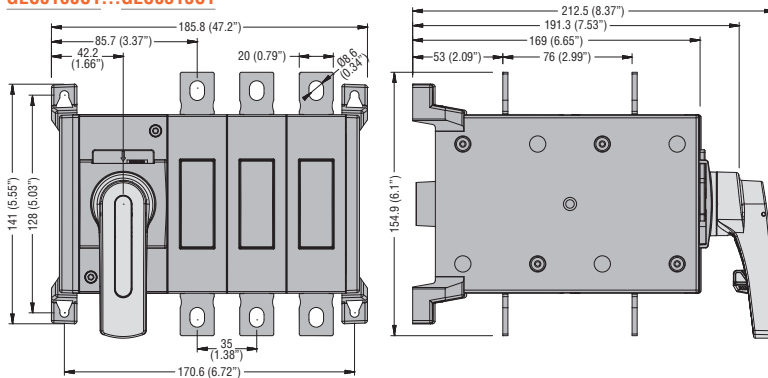
GL0630C1 - GL0400C1UL



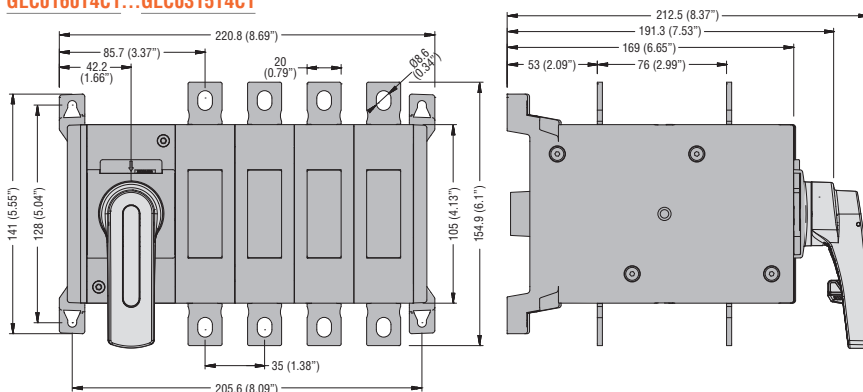
GL0630C1 - GL0400C1UL with add-on fourth pole GLX420630 - GLX420400UL



GLC0160C1...GLC0315C1



GLC0160T4C1...GLC0315T4C1



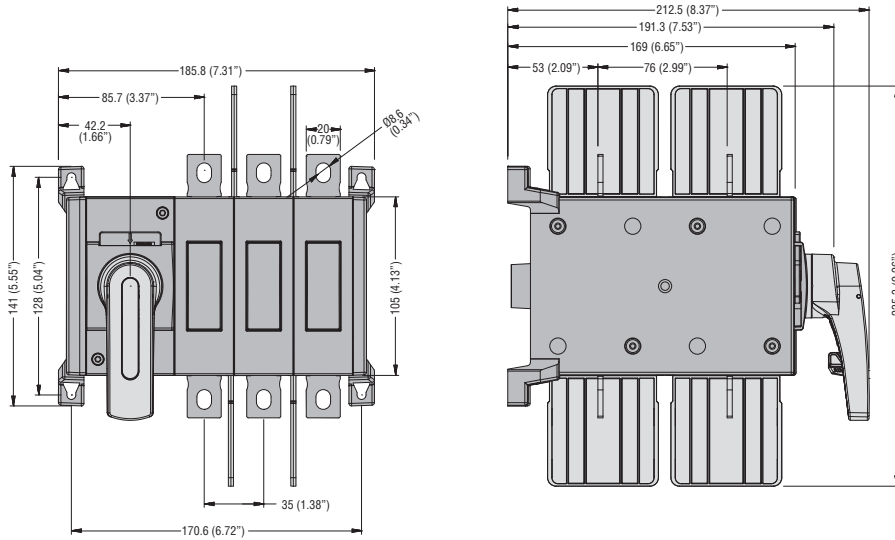


12 Switch disconnectors

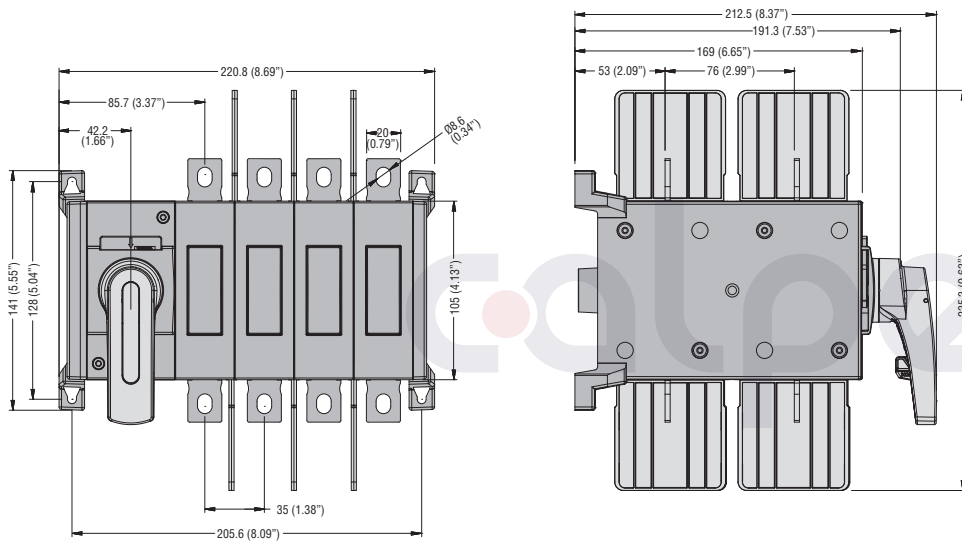
Dimensions [mm(in)]



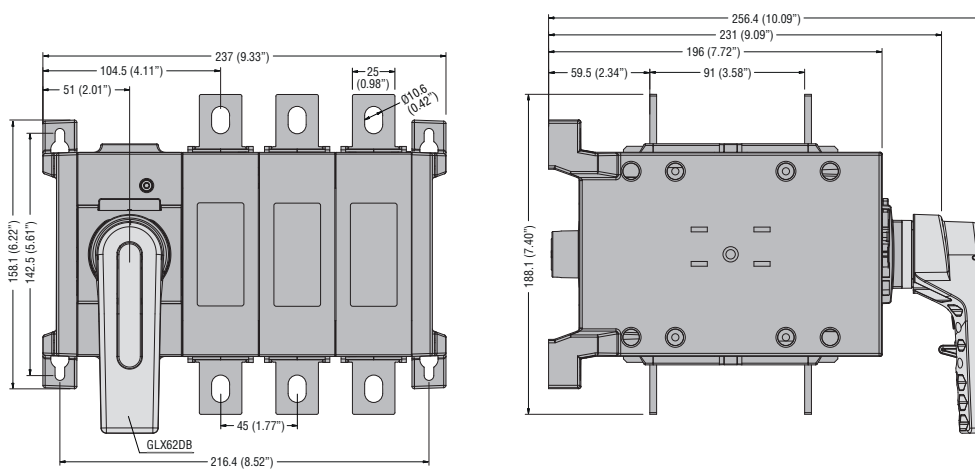
GLC0100C1UL - GLC0200C1UL



GLC0100T4C1UL - GLC0200T4C1UL



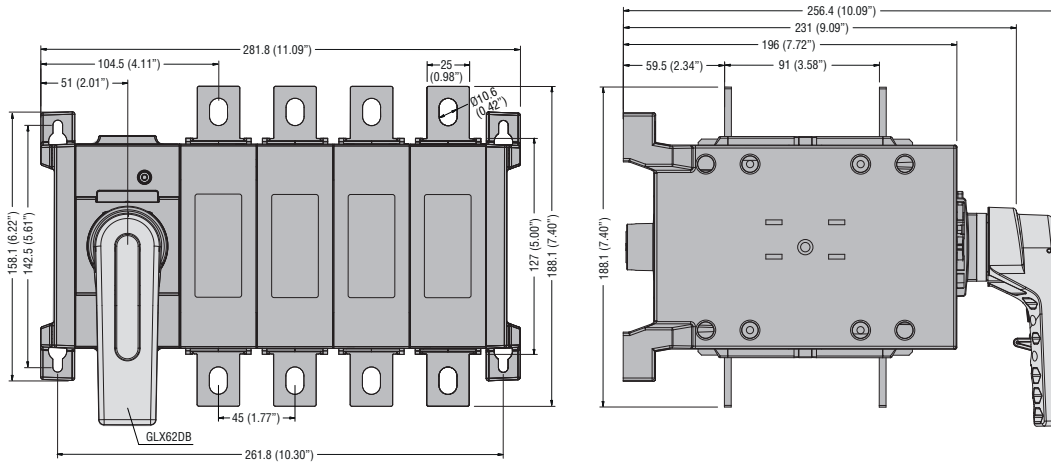
GLC0320C1...GLC0500C1



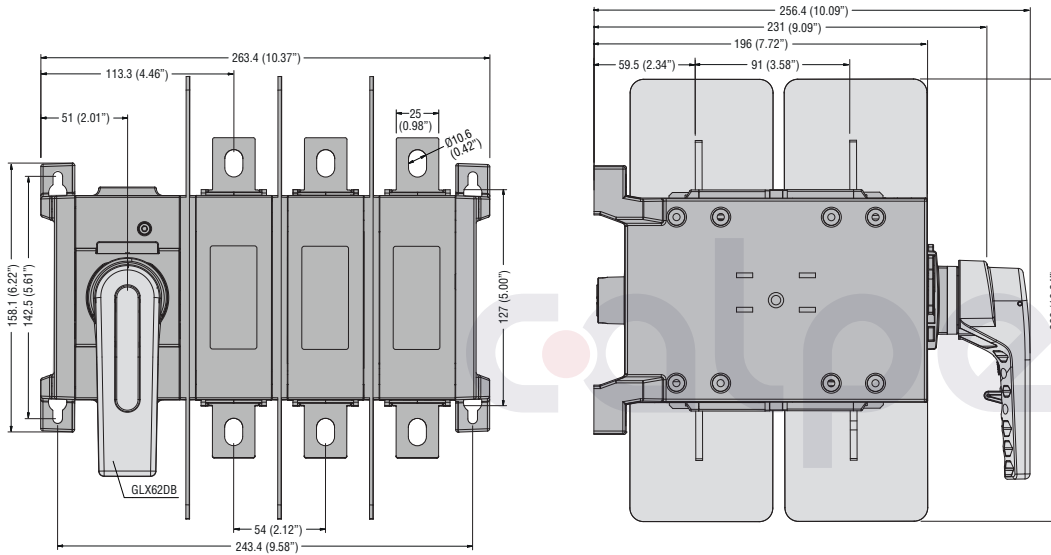
12 Switch disconnectors

Dimensions [mm(in)]

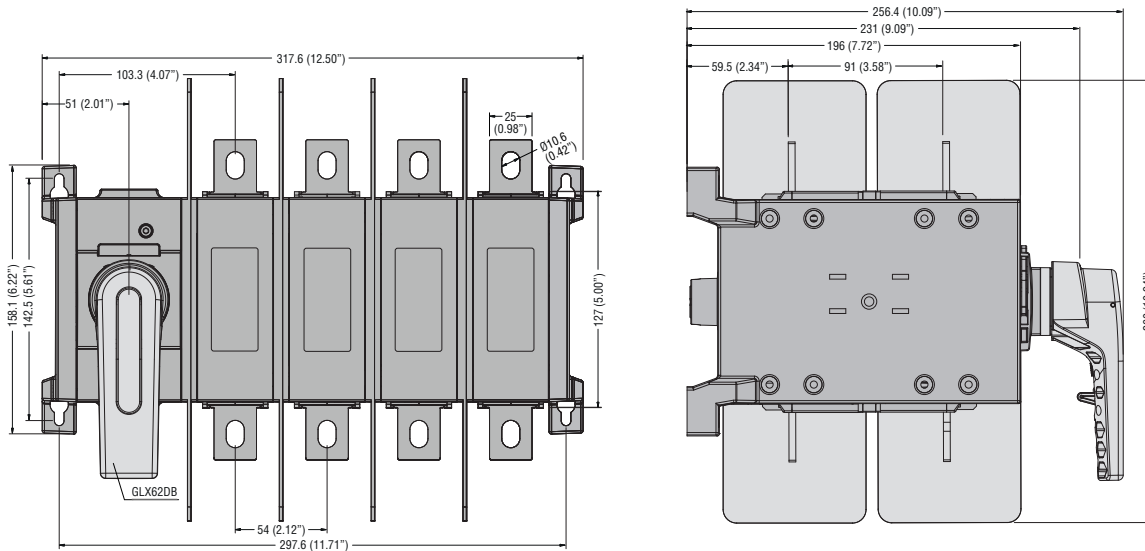
GLC0320T4C1...GLC0500T4C1



GLC0630C1 - GLC0400C1UL



GLC0630T4C1 - GLC0400T4C1UL

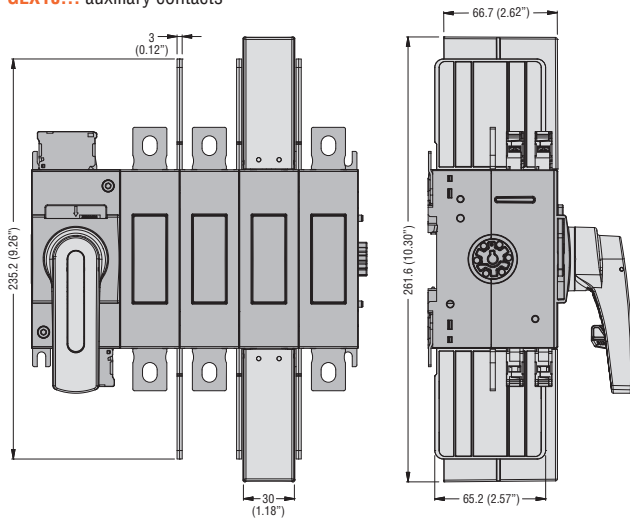




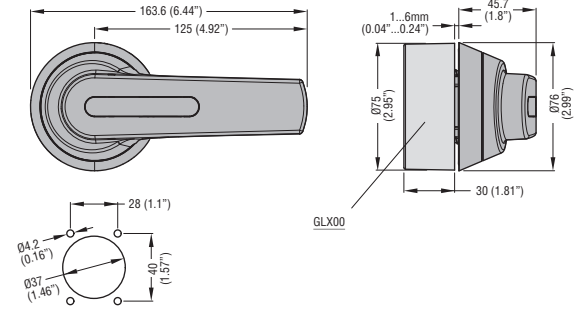
12 Switch disconnectors

Dimensions [mm(in)]

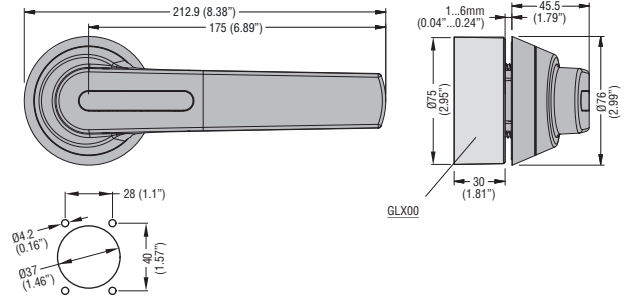
GLX800 - GLX801 terminal covers
GLX900 - GLX901 one-pole phase barrier
GLX10... auxiliary contacts



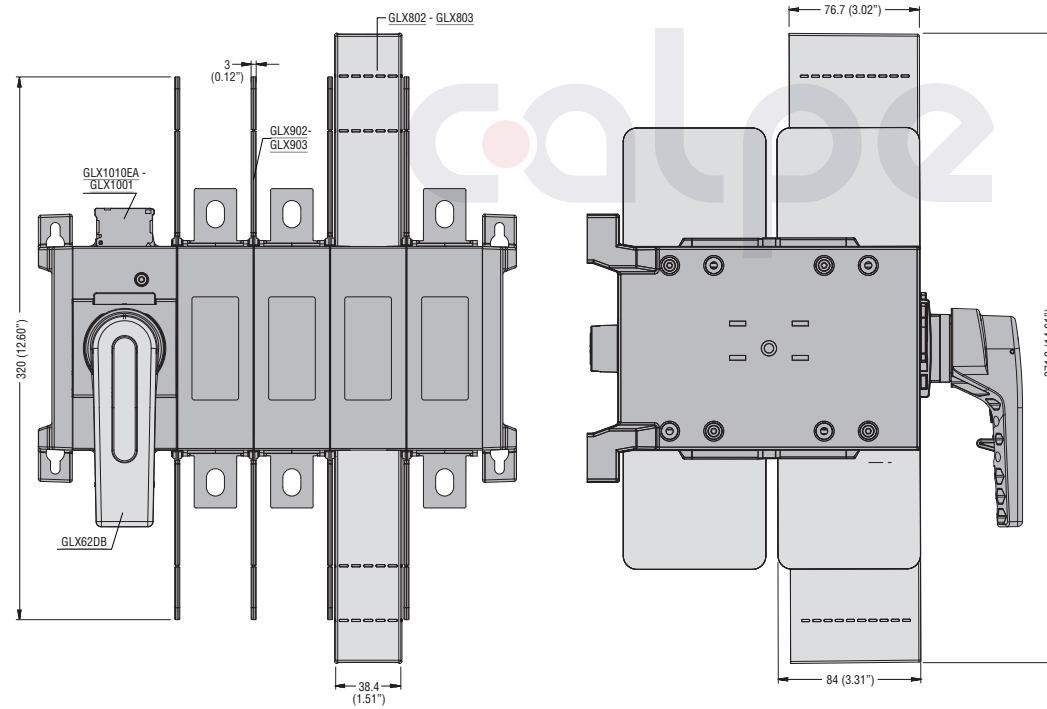
GLX61 - GLX61B - GLX61CB handles



GLX62 - GLX62B - GLX62CB handles



GLX802 - GLX803 terminal covers
GLX902 - GLX903 one-pole phase barrier
GLX10... auxiliary contacts

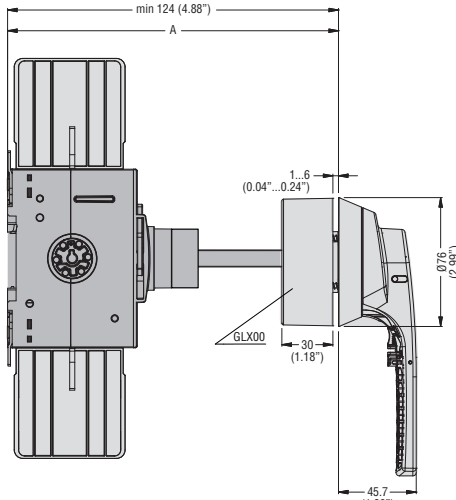
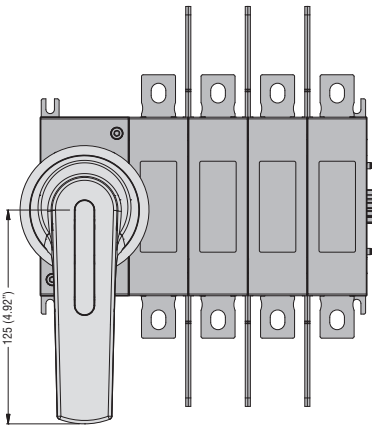




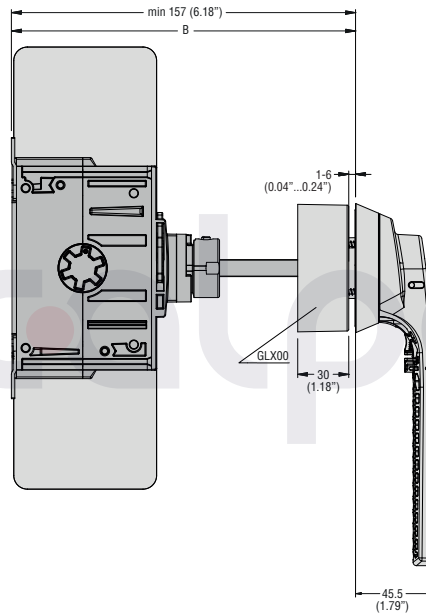
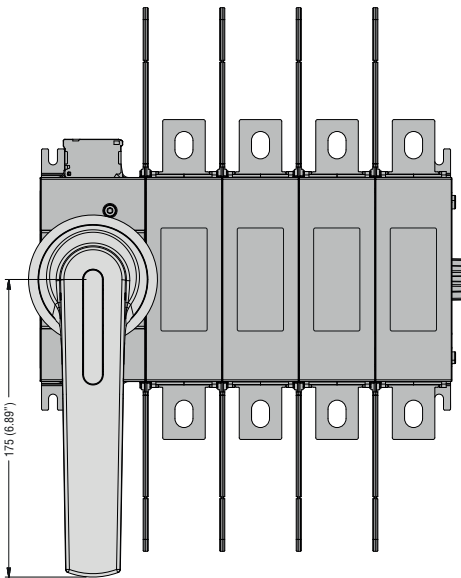
12 Switch disconnectors

Dimensions [mm(in)]

GLX7... shaft extensions for door coupling handles
GLX00 shaft alignment ring



GLX7...S10	A mm (in)	
	min	max
GLX7150S10	124...194	(4.88...7.64')
GLX7200S10	124...244	(4.88...9.61')
GLX7300S10	124...344	(4.88...13.54')
GLX7400S10	124...444	(4.88...17.48')
GLX7500S10	124...544	(4.88...21.42')



GLX7...S10	B mm (in)	
	min	max
GLX7150S10	157...227	(6.18...8.94')
GLX7200S10	157...277	(6.18...10.90')
GLX7300S10	157...377	(6.18...14.84')
GLX7400S10	157...477	(6.18...18.78')
GLX7500S10	157...577	(6.18...22.72')

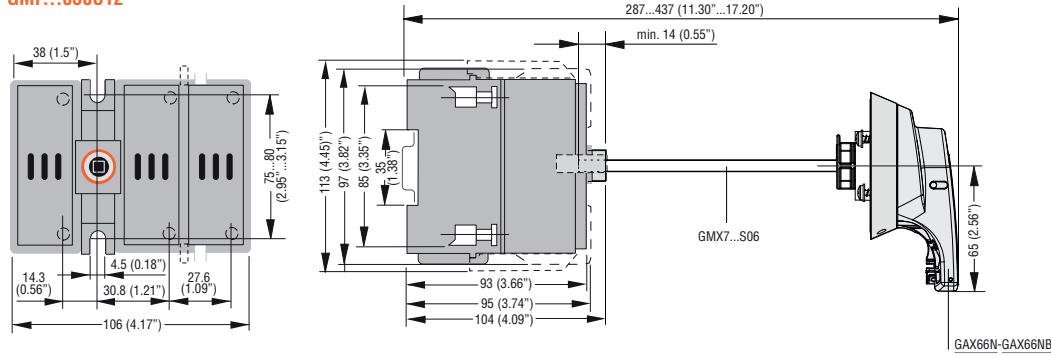


12 Switch disconnectors

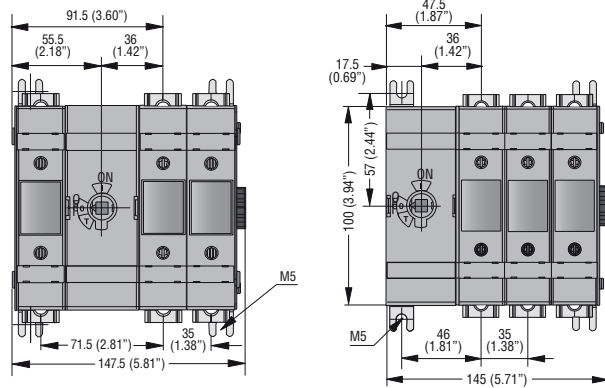
Dimensions [mm(in)]

GM SERIES 30A TO 800A SWITCH DISCONNECTORS

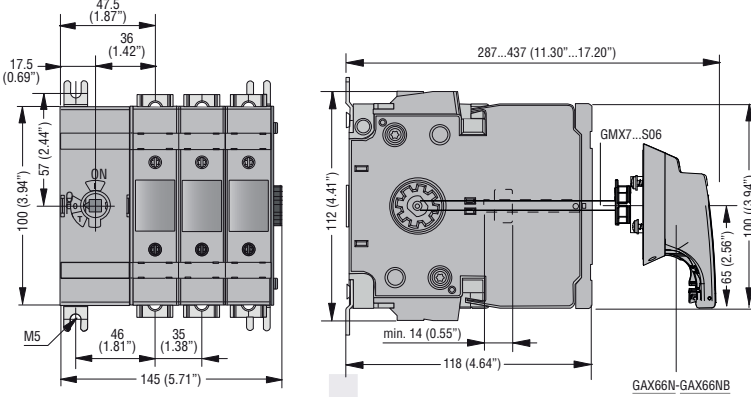
GMF...030C12



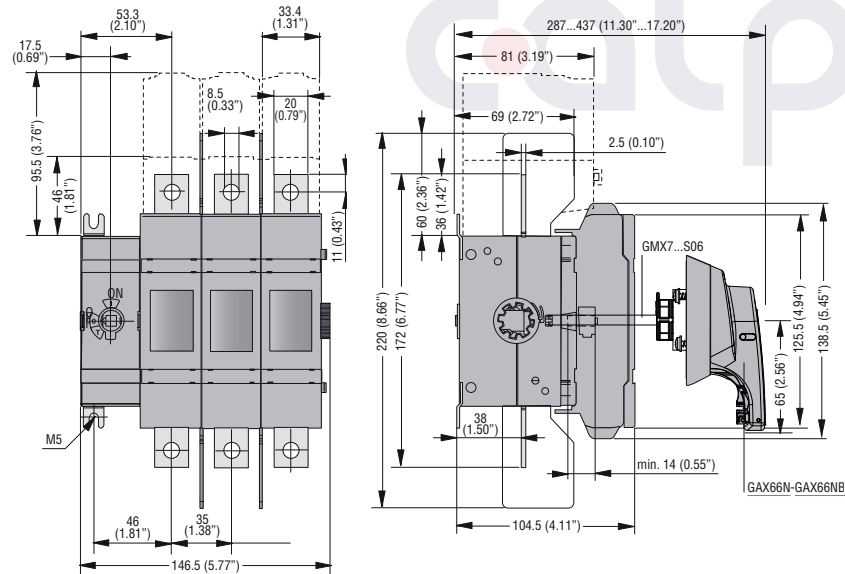
GMFJ060C12



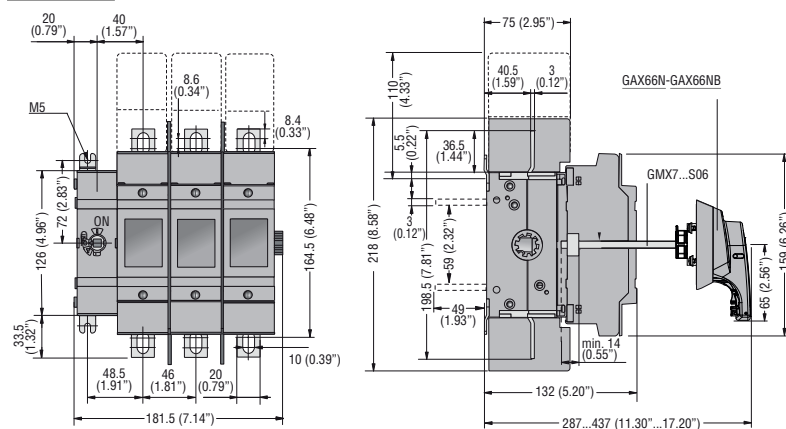
GMFJ060C03



GMFJ100C03



GMFJ200C03

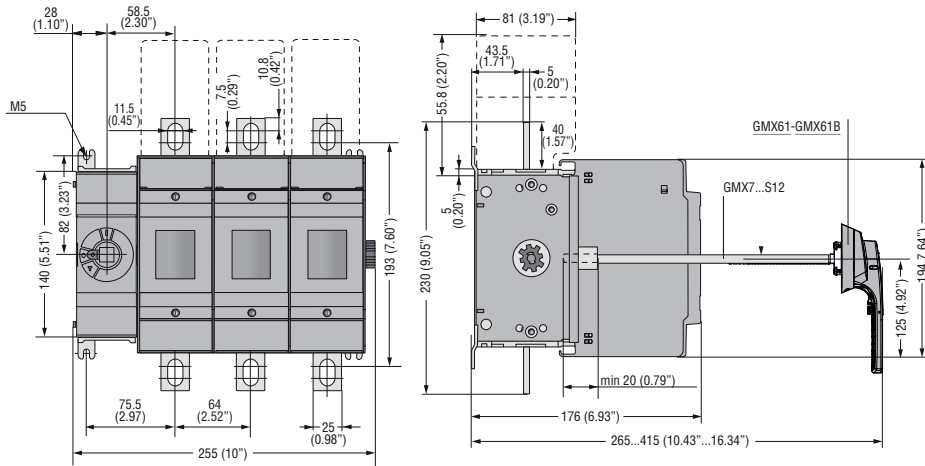




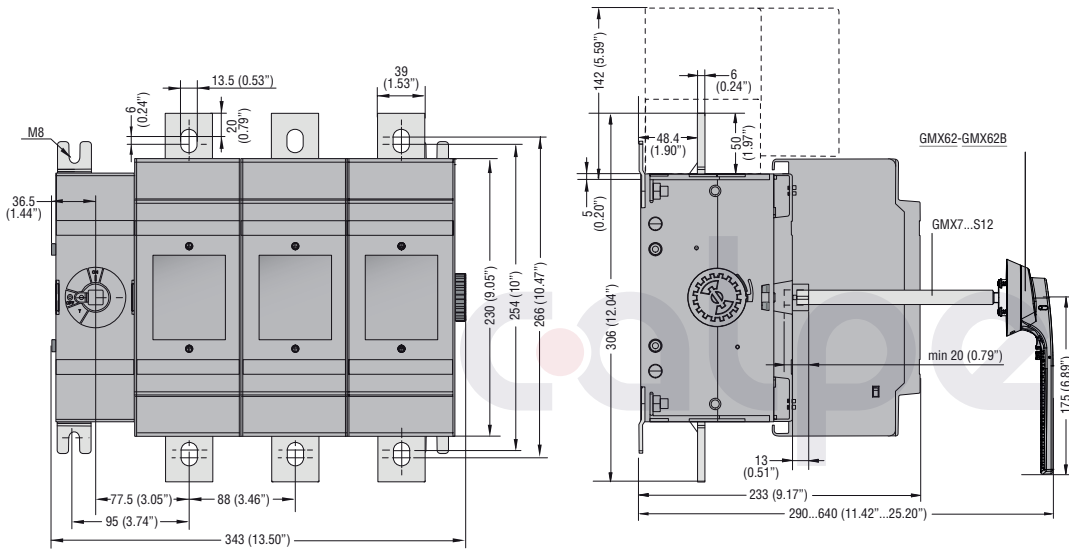
12 Switch disconnectors

Dimensions [mm(in)]

GMFJ400C03



GMFJ600C03 - GMFL800C03





12 Switch disconnectors

Wiring diagrams

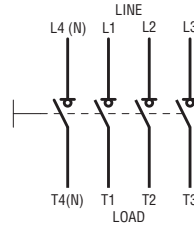
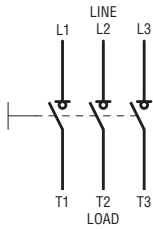


OPEN AND ENCLOSED GA SERIES 16A TO 160A SWITCH DISCONNECTORS

Three-pole disconnectors
GA016...GA160A.../C
GAZ016...GAZ160/B
GAZ016UL...GAZ125UL
GAZM016...GAZM160/B
GAZS016...GAZS100/B

Fourth pole
GAX42... **GAX41...**

Four-pole disconnectors
GAZ016T4...GAZ160T4/B
GAZ016T4UL...GAZ125T4UL
GAZM016T4...GAZM160T4/B



ADD-ON BLOCKS AND ACCESSORIES

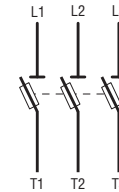
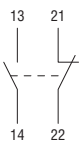
Auxiliary contacts
GAX10...

GAX11... - GAX12...

Neutral terminal
GAX31... - GAX32...

Earth/Ground terminal
GAX33... - GAX34...

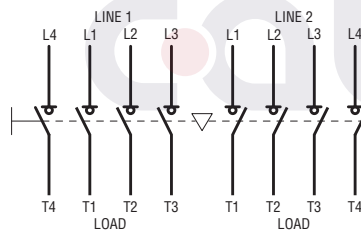
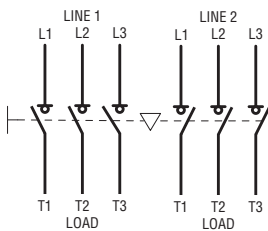
Fuse holder
GAX391 - GAX391UL



ENCLOSED AND ASSEMBLED CHANGEOVER SWITCHES

Three-pole **GA...ET6**

Four-pole **GA...ET8**

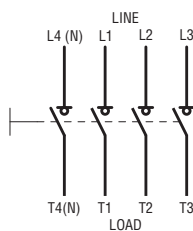
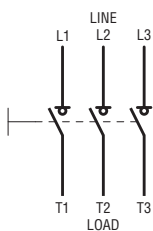


OPEN AND ENCLOSED GL SERIES 100 TO 630A SWITCH DISCONNECTORS

Three-pole
GL0160...GL0630...
GLZM0160...GLZM0315/B

Fourth pole
GLX42...

Four-pole
GLZM0160T4...GLZM0315T4/B





12 Switch disconnectors

Wiring diagrams

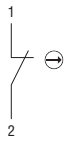


ADD-ON BLOCKS AND ACCESSORIES

Auxiliary contacts
GLX1010EA



GLX1001



Neutral terminal
GLX300 - GLX302

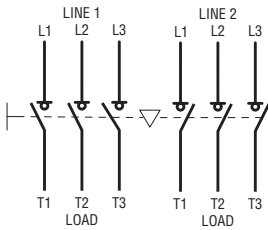


Earth/Ground terminal
GLX301 - GLX303

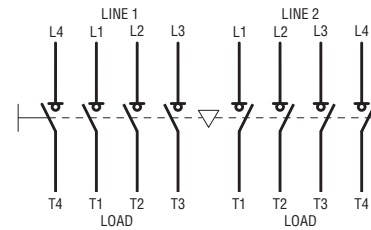


OPEN AND ENCLOSED GL SERIES 100 TO 630A CHANGEOVER SWITCHES

Three-pole
GLC...C1
GLZM...ET6

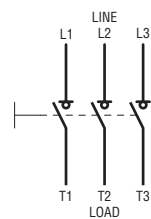


Four-pole
GLC...T4C1
GLZM...ET8

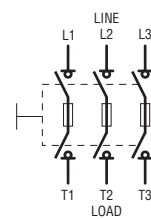


GE SERIES 50A TO 1600A SWITCH DISCONNECTORS

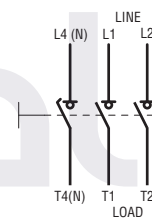
Three-pole
GE0160 - GE1600
GE0160P



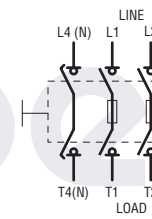
Three-pole with fuse holder
GE0050F - GE0125F
GE0160N - GE0800N
GE0160B - GE0800B



Four-pole
GE0160T4 - GE1600T4
GE0160T4P

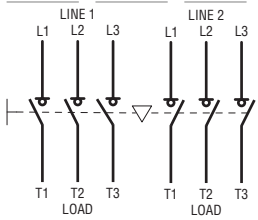


Four-pole with fuse holder
GE0050FT4 - GE0125FT4
GE0160NT4 - GE0800NT4
GE0160BT4 - GE0800BT4

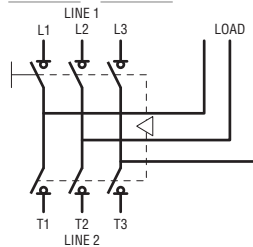


GE SERIES 160 TO 1600A CHANGEOVER SWITCHES

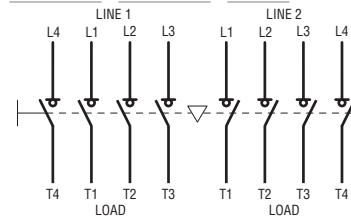
Three-pole
GE0160E - GE0200E - GE1600...3150E



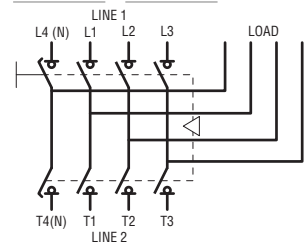
GE0201E...GE1250E



Four-pole
GE0160ET4 - GE0200ET4 - GE1600...3150ET4



GE0201ET4...GE1250ET4

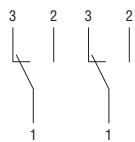


ADD-ON BLOCKS AND ACCESSORIES

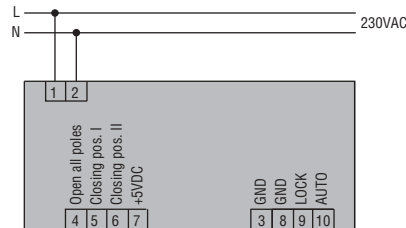
Auxiliary contacts
GEX1011...



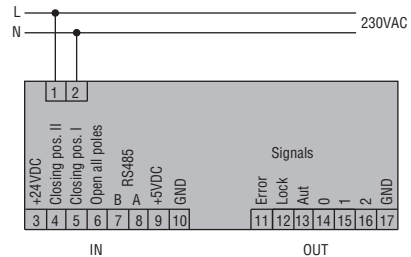
GEX1022...



Motorised control unit
GEX690C - GEX691C - GEX692C



Motorised control unit
GEX693C - GEX694C





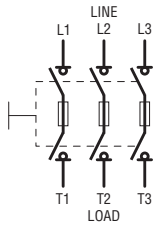
12 Switch disconnectors

Wiring diagrams



GM SERIES 30A TO 800A SWITCH DISCONNECTORS

GM...030...GM...800



Auxiliary contacts
GMX1010



GMX1001

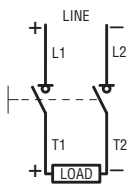


GMX1011

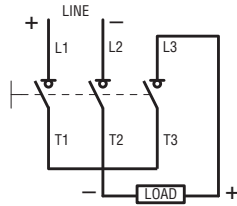


SWITCH DISCONNECTORS FOR PHOTOVOLTAIC APPLICATIONS GA...D (poles in series to wire)

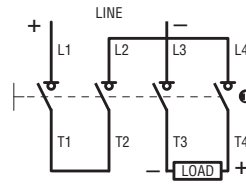
One-line control
2 poles in series



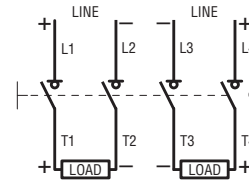
3 poles in series



4 poles in series



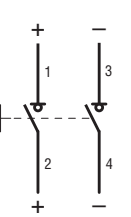
Two-lines control
2+2 poles in series



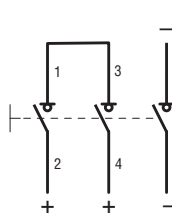
ⓘ The positive pole fitted on the right side of the disconnector can also be fitted on the left side; the connections must be changed in consequence.

SWITCH DISCONNECTORS FOR PHOTOVOLTAIC APPLICATIONS GD... (jumpers supplied as standard)

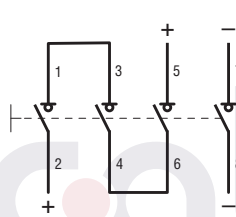
One-line control
GD...AT2



GD...AT3

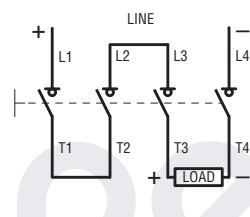


GD...AT4

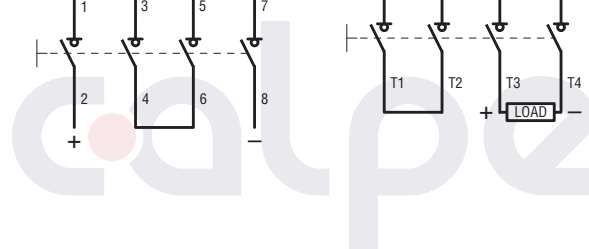
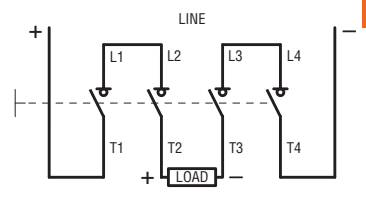


SWITCH DISCONNECTORS FOR PHOTOVOLTAIC APPLICATIONS GE...DT4 (poles in series to wire)

One-line control
4 poles in series



4 (2+2) poles in series





12 Switch disconnectors

Technical characteristics
GA series 16A to 160A - Switch disconnectors



TECHNICAL DATA ACCORDING TO IEC/EN/BS 60947 RATINGS

TYPE	3-pole	GA016...	GA025...	GA032...	GA040...	GA063S...	GA030...	GA063...	GA080...	GA100...	GA125...	GA160...
	4-pole	GAX4...040...				GAX4...063S...	GAX4...063...		GAX4...080...	GAX4...100...	GAX4...125...	GAX4...160...

CONTACT CHARACTERISTICS

IEC conventional free air thermal current I _{th} (≤40°C)	A	16	25	32	40	63	30	63	80	100	125	160	
IEC rated insulation voltage U _i	V	1000											
IEC rated impulse withstand voltage U _{imp}	kV	8											
IEC rated operational current I _e													
AC21A	400V	A	16	25	32	40	63	30	63	80	100	125	160
	500V	A	16	25	32	40	63	30	63	80	100	125	160
	690V	A	16	25	32	40	63	30	63	80	100	125	160
AC22A	400V	A	16	25	32	40	45	30	63	80	100	125	125
	500V	A	16	25	32	40	45	30	63	80	100	125	125
	690V	A	16	25	32	40	45	30	63	80	100	125	125
AC23A	400V	A	16	25	32	40	45	30	63	80	100	125	125
	500V	A	16	25	25	25	25	30	63	63	80	100	100
	690V	A	16	25	25	25	25	30	63	47	47	47	47
Power dissipation	W/pole	0.2	0.4	0.6	1	2.9	0.4	1.6	2.6	4	6.3	12	
IEC rated operational power AC23A													
400V	kW	7.5	11	15	18.5	22	15	30	45	55	55	55	
	kW	11	22	22	22	22	30	45	45	45	45	45	
IEC reactive power for control of capacitors 400V	kvar	7.5	10	12.5	15	15	12.5	25	30	40	50	50	

SHORT CIRCUIT PROTECTION

Conditional short-circuit current ^①	kA rms	10					50					
With fuse class gG	A	16	25	32	40	63	63	63	80	100	125	160
Making capacity AC23A 400V	A	160	250	320	400	450	300	630	800	1000	1250	1250
Breaking capacity AC23A 400V	A	128	200	256	320	360	240	504	640	800	1000	1000
Mechanical life	cycles	100,000					30,000					
Electrical life (AC21A)	cycles	100,000				15,000	30,000					1,000
Terminals	mm	Pillar terminal 5.6 x 6.5 - M4 Phillips 2					Pillar terminal 12.4 x 10.4 - M8 Metric Allen key 4					
Tightening torque	Nm	1.8...2					5...6					
	lb.in	16...18					45...54					
Conductor section min...max	mm ²	0.75...16					4...70					
	AWG	18...6					12...1					

AMBIENT CONDITIONS

Temperature	Operating	°C	-25...+55									
	Storage	°C	-40...+70									
Maximum altitude	m	3000										
Mounting position	Normal	Vertical										
	Admissible	Any										
Fixing	Screw or 35mm DIN rail (IEC/EN 60715)											

① For more details contact our Technical support; see contact details on inside front cover.

TECHNICAL DATA ACCORDING TO UL/CSA RATINGS

TYPE		GA016...	GA025...	GA032...	GA040...	GA063S...	GA030...	GA063...	GA080...	GA100...	GA125...	—	
Compliance		UL60947-4-1; CSA C22.2 n°60947-4-1					UL98; CSA C22.2 n°4					—	
General purpose current ratings	A	16	25	32	40	60	30	60	100	100	100	—	
Max operating voltage	V	600											
Horsepower ratings/motor FLA current three-phase	240V	HP/A	5/15.2	7.5/22	10/28	15/42	15/42	10/28	20/54	25/68	30/80	30/80	—
	480V	HP/A	10/14	15/21	20/27	20/27	30/40	20/27	40/52	40/52	50/65	60/77	—
	600V	HP/A	10/11	20/22	20/22	25/27	32/32	30/32	40/41	40/41	50/52	60/62	—
Short circuit ratings	KA rms	5					100 ^②						—
With fuse	class/A	RK5/30	RK5/30	RK5/35	RK5/45	RK5/45	J/60	J/60	J/100	J/100	J/100	—	
Minimum enclosure dimensions at rated current	mm (in)	—					150 x 140 x 110 (5.90 x 5.51 x 4.33")						—

② Up to 480V with protection fuses type CC, J, or T (200A max).



12 Switch disconnectors

Technical characteristics
GL series 100A to 630A - Switch disconnectors



TECHNICAL DATA ACCORDING TO IEC/EN/BS 60947

TYPE	3-pole	GL0160...	GL0200...	GL0250...	GL0315...	GL0320...	GL0400...	GL0500...	GL0630...
	4-pole	GLX420315				GLX420320	GLX420400	GLX420500	GLX420630

CONTACT CHARACTERISTICS

IEC conventional free air thermal current I _{th} (≤40°C)	A	160	200	250	315	320	400	500	630	
IEC rated insulation voltage U _i	V	1000				1000				
IEC rated impulse withstand U _{imp}	kV	12				12				
IEC rated operational current I _e										
AC21A	400V	A	160	200	250	315	320	400	500	630
	500V	A	160	200	250	315	320	400	500	630
	690V	A	160	200	250	315	320	400	500	630
AC22A	400V	A	160	200	250	315	320	400	500	630
	500V	A	160	200	250	315	320	400	500	500
	690V	A	160	200	250	315	320	400	500	500
AC23A	400V	A	160	200	250	315	320	400	500	630
	500V	A	160	200	250	250	320	400	500	500
	690V	A	160	200	250	250	320	400	500	500
Power dissipation	W/pole	3.2	4	6.5	6.5	20.8	26.0	32.5	41.0	
IEC rated operational power										
AC23A	400V	kW	90	110	140	140	160	200	250	355
	690V	kW	144	200	250	250	315	400	500	500
IEC reactive power for control of capacitors 400V	kvar	80	100	115	145	145	180	200	250	

SHORT CIRCUIT PROTECTION

Rated short-time current (1s) I _{cs}	kA rms	8				15			
Conditional short-circuit current	kA rms	100				80			
With fuse class gG	A	160	200	250	315	355	400	500	630
Making capacity AC23A 400V	A	1600	2000	2500	2500	3200	4000	5000	6300
Breaking capacity AC23A 400V	A	1280	1600	2000	2000	2560	3200	4000	5040
Mechanical life	cycles	20.000				10.000			
Terminal for busbars	mm	M8 x 20				M10 x 25			
Tightening torque	Nm	15...22				30...37			
	lb.in	132...194				265...327			
Conductor section min...max	mm ²	70...185				1 x 185...2 x 185①			
	AWG/ Kcmil	00...400				1 x 400...2 x 350			

AMBIENT CONDITIONS

Temperature	Operating	°C	-25...+55						
	Storage	°C	-40...+70						
Maximum altitude	m	3000							
Mounting position	Normal	Vertical							
	Admissible	Any							
Fixing	By screw. For GL0160...315 also on 35mm DIN rail (IEC/EN 60715)								

① For more details contact our Technical support; see contact details on inside front cover.

TECHNICAL DATA ACCORDING TO UL/CSA RATINGS

TYPE	3-pole	GL0100C1UL	GL0200C1UL	—	—	—	GL0400C1UL	—	—
	4-pole	GLX420100UL	GLX420200UL	—	—	—	GLX420400UL	—	—
Compliance		UL98 CSA C22.2 N°4	UL98 CSA C22.2 N°4	—	—	—	UL98 CSA C22.2 N°4	—	—
General purpose current ratings	A	100	200	—	—	—	400	—	—
Maximum operating voltage	V	600	600	—	—	—	600	—	—
Horsepower ratings /motor FLA current three-phase	240V	HP/A	30/80	75/192	—	—	125/312	—	—
	480V	HP/A	75/96	150/180	—	—	250/302	—	—
	600V	HP/A	100/99	200/192	—	—	350/336	—	—
Short circuit rating	KA rms	200	200	—	—	—	100	—	—
With fuse	class/A	J/100	J/200	—	—	—	J/400	—	—
Terminal kit lugs		GLX500-GLX501	GLX500-GLX501	—	—	—	GLX502-GLX503	—	—
Minimum enclosure dimensions at rated current	mm (in)	400 x 250 x 150 (15.8 x 9.9 x 5.9)	400 x 250 x 150 (15.8 x 9.9 x 5.9)	—	—	—	950 x 350 x 200 (37.4 x 13.8 x 7.9)	—	—



12 Switch disconnectors

Technical characteristics
GL series 100A to 630A - Changeover switches



TECHNICAL DATA ACCORDING TO IEC/EN/BS 60947

TYPE	3-pole	GLC0160...	GLC0200...	GLC0250...	GLC0315...	GLC0320...	GLC0400...	GLC0500...	GLC0630...
	4-pole	GLC0160T4...	GLC0200T4...	GLC0250T4...	GLC0315T4...	GLC0320T4...	GLC0400T4...	GLC0500T4...	GLC0630T4...

CONTACT CHARACTERISTICS

IEC conventional free air thermal current I _{th} (≤40°C)	A	160	200	250	315	320	400	500	630	
IEC rated insulation voltage U _i	V	1000				1000				
IEC rated impulse withstand U _{imp}	kV	12				12				
IEC rated operational current I _e										
AC31B	400V	A	160	200	250	315	320	400	500	630
	500V	A	160	200	250	315	320	400	500	630
	690V	A	160	200	250	315	320	400	500	630
AC32B	400V	A	160	200	250	315	320	400	500	630
	500V	A	160	200	250	315	320	400	500	500
	690V	A	160	200	250	315	320	400	500	500
AC33B	400V	A	160	200	250	315	320	400	500	630
	500V	A	160	200	250	250	320	400	500	500
	690V	A	160	200	250	250	320	400	500	500
Power dissipation	W/pole	3.2	4	6.5	6.5	20.8	26.0	32.5	41.0	
IEC rated operational power										
AC23A	400V	kW	90	110	140	140	160	200	250	355
	690V	kW	144	200	250	250	315	400	500	500
IEC reactive power for control of capacitors 400V	kvar	80	100	115	145	145	180	200	250	

SHORT CIRCUIT PROTECTION

Rated short-time current (1s) I _{cs}	kA rms	8				15			
Conditional short-circuit current	kA rms	100				80			
With fuse class gG	A	160	200	250	315	355	400	500	630
Making capacity AC23A 400V	A	1600	2000	2500	2500	3200	4000	5000	6300
Breaking capacity AC23A 400V	A	1280	1600	2000	2000	2560	3200	4000	5040
Mechanical life	cycles	20.000				10.000			
Terminal for busbars	mm	M8 x 20				M10 x 25			
Tightening torque	Nm	15...22				30...37			
	lb.in	132...194				265...327			
Conductor section min...max	mm ²	70...185				1 x 185...2 x 185			
	AWG/Kcmil	00...400				1 x 400...2 x 350			

AMBIENT CONDITIONS

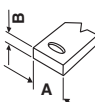
Temperature	Operating	°C	-25...+55						
	Storage	°C	-40...+70						
Maximum altitude	m	3000							
Mounting position	Normal	Vertical							
	Admissible	Any							
Fixing	By screw								

TECHNICAL DATA ACCORDING TO UL/CSA RATINGS

TYPE		GLC0100...UL	GLC0200...UL	—	—	—	GLC0400...UL	—	—	
Compliance		UL1008	UL1008	—	—	—	UL1008	—	—	
		CSA C22.2 N°4	CSA C22.2 N°4	—	—	—	CSA C22.2 N°4	—	—	
General purpose current ratings	A	100	200	—	—	—	400	—	—	
Maximum operating voltage	V	600	600	—	—	—	600	—	—	
Horsepower ratings /motor FLA current three-phase	240V	HP/A	30/80	75/192	—	—	—	125/312	—	—
	480V	HP/A	50/65	150/180	—	—	—	250/302	—	—
	600V	HP/A	50/52	200/192	—	—	—	350/336	—	—
Short circuit ratings	KA rms	100	200	—	—	—	100	—	—	
With fuse	class/A	J/100	J/200	—	—	—	J/400	—	—	
Terminal kit lugs		GLX500-GLX501	GLX500-GLX501	—	—	—	GLX502-GLX503	—	—	
Minimum enclosure dimensions at rated current	mm (in)	400 x 250 x 150 (15.8 x 9.9 x 5.9)	400 x 250 x 150 (15.8 x 9.9 x 5.9)	—	—	—	950 x 350 x 260 (37.4 x 13.8 x 10.3)	—	—	

12 Switch disconnectors

Technical characteristics
GE series 160 to 1600A - Three and four-pole

TYPE	3-pole		GE0160P GE0160	GE0200	GE0250	GE0251	GE0315	GE0400	GE0500	GE0630	GE0800	GE1000	GE1250	GE1600
	4-pole ^⑥		GE0160T4P GE0160T4	GE0200T4	GE0250T4	GE0251T4	GE0315T4	GE0400T4	GE0500T4	GE0630T4	GE0800T4	GE1000T4	GE1250T4	GE1600T4
CONTACT CHARACTERISTICS														
IEC conventional free air thermal current I _{th} (≤40°C)	A	160 200 250 250 315 400 500 630 800 1000 1250 1600												
IEC rated insulation voltage U _i	V	1000												
IEC rated impulse withstand U _{imp}	kV	8						12						
IEC rated operational current I_e														
AC21A	400V	A	160	200	250	250	315	400	500	630	800	1000	1250	1600
	500V	A	160	200	200	250	315	400	500	630	800	1000	1250	1600
	690V	A	160	180	180	200	250	250	500	630	800	1000	1000	1600
AC22A	400V	A	160	200	250 (AC22B) 200 (AC22A)	250	315	400	500	630	800	1000	1250	1600
	500V	A	160	200	200	250	315	400	500	630	800	1000	1000	1250
	690V	A	125	160	160	160	200	200	400	500	500	630	630	1000
AC23A	400V	A	160	160	160	250	315	400	500	630	800	1000	1000	1000
	500V	A	125	125	125	200	250	315	400	500	500	800	800	900
	690V	A	80	80	80	160	160	160	250	315	315	500	500	630
Power dissipation	w/pole	4	6	9	2.5	6.5	10.5	22	35	56	50	78	128	
IEC reactive power for control of capacitors 400V senφ=0,65	kvar	72	72	72	112	142	180	225	284	284	360	360	450	
IEC rated operational power														
AC23A	400V	kW	90	90	90	138	174	220	220	349	443	443	443	554
	690V	kW	75	75	75	153	153	153	239	300	300	478	478	600
Short circuit protection														
Rated short-time current (1s) I _{cw}	kA rms	7				12			16			25		50
Conditional short-circuit current ^①	kA rms	100												
With fuse class gG	A	160	200	250	315	400	500	630	800	1000	1250	2x800		
Making capacity AC23A 400V	A	1600			2500	3150	4000	5000	6300		8000		10000	
Breaking capacity AC23A 400V	A	1280			2000	2520	3200	4000	5000		6400		8000	
Mechanical life	cycles	30,000			20,000			10,000						
Electrical life (AC23A 400V)	cycles	1,000								500				
Terminals														
	type	Lug terminal ^② or bars												
	A mm	18	26		25			25	30		40		60	
	B mm	3			4			5			8		10	
	screw	M8	M10						M14		M14			
Tightening torque														
	Nm	13 ^④	18				24				45		55	
	lb.in	88 ^④	159				212				292		487	
Max. conductor section	mm ²	95	120		185			2x185	2x240	2x240	2x300		—	
Max. bar size (thickness-width)	mm	5-25 ^⑤	5-30		7-25			6-40	2x 5-40	2x 5-50	2x 10-50		2x 10-80	
AMBIENT CONDITIONS														
Temperature	Operating	°C -25...+55												
	Storage	°C -40...+70												
Maximum altitude	m	3000												
Mounting position	Normal	Vertical												
	Admissible	Any												
Fixing		Screw												

- ① With protection fuse limiting peak current and specific through energy.
- ② Not suitable for types GE0160P and GE0160T4P.
- ③ Types GE...P have hex terminals IP20.
- ④ 4Nm/35lb.in only for types GE...P.
- ⑤ The 4-pole types (3P+N) have early-make late-break neutral pole.



12 Switch disconnectors

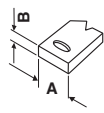
Technical characteristics
GE series 50 to 800A - Three and for-pole with fuse holder



TYPE	NFC	3-pole	GE0050F	GE0125F	-	-	-
		4-pole ^①	GE0050FT4	GE0125FT4	-	-	-
BS		3-pole	-	-	GE0160B	-	GE0200B
		4-pole ^②	-	-	GE0160BT4	-	GE0200BT4
NH		3-pole	-	-	GE0160N	GE0161N	-
		4-pole ^③	-	-	GE0160NT4	GE0161NT4	-

CONTACT CHARACTERISTICS

IEC conventional free air thermal current I _{th} (≤40°C)	A	50	125	160	160	200	
IEC rated insulation voltage U _i	V	800	800		800		
IEC rated impulse withstand U _{imp}	kV	8	8		8		
IEC rated operational current I _e							
AC21A	400V	A	50	125	160	160	200
	500V	A	50	125	160	160	200
	690V	A	50	125	160	160	200
AC22A	400V	A	50	125	160	160	200
	500V	A	50	125	160	160	200
	690V	A	50	100	125	160	200
AC23A	400V	A	50	125	160	160	200
	500V	A	50	125	125	160	200
	690V	A	50	80	100	125	160
Power dissipation	NFC	W/pole	4.7	12.5	—	—	—
	BS	W/pole	—	—	12	—	13
	NH	W/pole	—	—	11.8	13.5	—
IEC reactive power for control of capacitors 400V	kvar	18	52	60	60	75	
IEC rated operational power AC23A	400V	kW	25	65	90	90	110
	690V	kW	42	80	90	110	132
Short circuit protection							
Spec. through energy I ² t	kA ² s	0.076	0.19	0.19	0.478	0.478	
Conditional short circuit current	kA rms	50	50	100 ^①	100	100	
Making capacity AC23A 400V	A	500	1250		1600	2000	
Breaking capacity AC23A 400V	A	400	1000		1280	1600	
Mechanical life	cycles	10,000	10,000		10,000		
Electrical life (AC23A 400V)	cycles	1,500	1,500		1,000		
Terminals	type	Ⓜ	Ⓜ	Lug terminal or bars			
	A mm	—	—	20	25		
	B mm	—	—		3		
	screw	M6	M6		M8		
Tightening torque	Nm	3	4		13		
	lb.in	26	35		115		
Max. conductor section	mm ²	35	93	95	120		
Max. bar size (thickness-width)	mm	—	—	3-25	5-25		



AMBIENT CONDITIONS

Temperature	Operating	°C	-25...+55
	Storage	°C	-40...+70
Maximum altitude	m	3000	
Mounting position	Normal	Vertical	
	Admissible	Any	
Fixing		Screw	

- ① 50kA rms for types GE0160N and GE0160NT4.
- ② Types GE...F have hex terminals IP20.
- ③ The 4-pole types (3P+N) have early-make late-break neutral pole.



12 Switch disconnectors

Technical characteristics
GE series 50 to 800A - Three and for-pole with fuse holder



	-	-	-	-	-
	-	-	-	-	-
	GE0250B	GE0315B	GE0400B	GE0630B	GE0800B
	GE0250BT4	GE0315BT4	GE0400BT4	GE0630BT4	GE0800BT4
	GE0250N	-	GE0400N	GE0630N	GE0800N
	GE0250NT4	-	GE0400NT4	GE0630NT4	GE0800NT4
	250	315	400	630	800
			1000		
			12		
	250	315	400	630	800
	250	315	400	630	800
	250	315	400	630	630
	250	315	400	630	800
	250	315	400	630	800
	250	315	400	630	630
	250	315	400	630	630
	250	315	400	630	630
	200	250	315	400	400
	—	—	—	—	—
	12	24	29	44	63
	18.7	—	30	48	57
	115	150	200	250	325
	132	185	220	355	355
	160	200	250	370	370
	1.6	1.6	1.6	4.6	4.6
	100	100	100	100	100
	2500	3150	4000	6300	
	2000	2600	3200	5100	
		10,000		5,000	
			1.000		500
			Lug terminal or bars		
	30		35	40	50
	4		5	6	
		M10		M12	4x M8
		24		45	13
		212		396	115
		240		2 x 185	2 x 240
		6-40		2 x 7-50	2 x 7-50
			-25...+55		
			-40...+70		
			3000		
			Vertical		
			Any		
			Screw		

- ① 50kA rms for types GE0160N and GE0160NT4.
- ② Types GE...F have hex terminals IP20.
- ③ The 4-pole types (3P+N) have early-make late-break neutral pole.

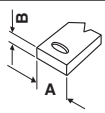


12 Switch disconnectors

Technical characteristics

GE series 160A to 3150A - Three and four-pole changeover switches



TYPE	3-pole	GE0160E	GE0200E	GE0201E	GE0250E	GE0315E	GE0400E	
	4-pole ^②	GE0160ET4	GE0200ET4	GE0201ET4	GE0250ET4	GE0315ET4	GE0400ET4	
CONTACT CHARACTERISTICS								
IEC conventional free air thermal current I _{th} (≤40°C)	A	160	200	250	315	400		
IEC rated insulation voltage U _i	V	1000						
IEC rated impulse withstand U _{imp}	kV	8						
IEC rated operational current I_e								
AC21A	400V	A	160	200	200	250	315	400
	500V	A	160	200	200	250	315	400
	690V	A	160	200	200	250	315	400
AC22A	400V	A	160	200	200	250	315	400
	500V	A	160	200	200	250	315	400
	690V	A	125	160	160	200	250	315 ^③
AC23B	400V	A	160	160	160	180	200	250
	500V	A	125	125	125	150	160	200
	690V	A	80	80	80	100	125	160
Power dissipation	W/pole	4	6	8	8,5	13,5	22	
IEC reactive power for control of capacitors 400V	kvar	72	72	83	104	131	166	
IEC rated operational power AC23A								
AC23A	400V	kW	89	89	100	100	125	125
	690V	kW	76	76	69	86	108	138
Short circuit protection								
Rated short-time current (1s) I _{cs}	kA rms	7	7	8				
Conditional short-circuit current ^①	kA rms	100	100	100				
With fuse class gG	A	160	200	250	315	400		
Making capacity AC23A 400V	A	1600	1600	3150	4000			
Breaking capacity AC23A 400V	A	1280	1280	2520	3200			
Mechanical life	cycles	30,000	30,000	10,000				
Electrical life (AC22A 400V)	cycles	1,000	1,000	1,000				
Terminals								
	type	Lug terminal or bars						
	A mm	18	26	25			35	
	B mm	3						
	screw	M8			M10			
Tightening torque								
	Nm	13			24			
	lb.in	115			212			
Max. conductor section	mm ²	95	120	240				
Max. bar size (thickness-width)	mm	4-13	13-18	2 x 5-30				
AMBIENTAL CONDITIONS								
Temperature	Operating	°C		-25...+55				
	Storage	°C		-40...+70				
Maximum altitude	m		3000					
Mounting position	Normal				Vertical			
	Admissible				Any			
Fixing				Screw				

① With protection fuse limiting peak current and specific through energy.

② The 4-pole types (3P+N) have early-make late-break neutral pole.

③ Value in AC22B.



12 Switch disconnectors

Technical characteristics

GE series 160A to 3150A - Three and four-pole changeover switches



GE0500E	GE0630E	GE0800E	GE1000E	GE1250E	GE1600E	GE2000E	GE2500E	GE3150E
GE0500ET4	GE0630ET4	GE0800ET4	GE1000ET4	GE1250ET4	GE1600ET4	GE2000ET4	GE2500ET4	GE3150ET4
500	630	800	1000	1250	1600	2000	2500	3150
				1000				
12						8		
500	630	800	1000	1250	1600	2000	2500	3150
500	630	800	1000	1250	1600	2000	2500	3150
500	630	800	1000	1250	1600	1800	2500	2500
500	630	800	1000	1250	1600	2000	2500	2500
500	630	800	1000	1250	1250	1800	1800	2000
400	500	630 ^②	800	1000 ^②	1000	1600	1800	1800
400	500	630	1000	1000	1000	1250	1800	1800
250	315	400	800	900	900	900	1250	1400
250	250	315	630	630	630	630	1000	1000
28	44,5	72	76	118	128	59,60	213	338
208	262	333	415	415	450	562	811	900
200	200	315	500	525	550	692	997	1100
173	216	272	544	575	600	764	956	956
13			25		35	50		
100			72			75	100	100
500	630	800	1000	1250	2 x 800	-	-	-
6300		8000	10000	10000	10000	12500	18000	20000
5040		6400	8000	8000	8000	10000	14400	1600
10,000		10,000		3000		600		
1,000		500						
Lug terminal or bars								
40			50		60	80		100
5			6		10	10		2 x 15
M12			M14		M14	M14		M12
24			45		55	55		45
212			398		487	487		398
2 x 240			-		-	-		-
2 x 6-45			2 x 10-60		2 x 7-80	2 x 10-80	3 x 12-80	3 x 12-100
-25...+55						-30...+70		
-40...+70						-40...+75		
3000								
Vertical								
Any								
Screw								

12

① With protection fuse limiting peak current and specific through energy.
 ② The 4-pole types (3P+N) have early-make late-break neutral pole.
 ③ Value in AC22B.



12 Switch disconnectors

Technical characteristics
GM series 30A to 800A - Three-pole with fuse holder (UL98)



TECHNICAL DATA ACCORDING TO IEC/EN/BS 60947

TYPE	3-pole	GMF...030...	GMFJ060...	GMFJ100C03	GMFJ200C03	GMFJ400C03	GMFJ600C03	GMFL800C03	
CONTACT CHARACTERISTICS									
IEC conventional free air thermal current I _{th} (≤40°C)	A	32	63	160	200	400	630	800	
IEC rated insulation voltage U _i	V	1000							
IEC rated impulse voltage withstand U _{imp}	kV	12							
IEC rated operational current I _e									
AC21A	400V	A	32	63	160	200	400	630	800
	500V	A	32	63	160	200	400	630	800
	690V	A	32	63	160	200	400	630	800
AC22A	400V	A	32	63	160	200	400	630	800
	500V	A	32	63	160	200	400	630	800
	690V	A	32	63	160	200	400	630	800
AC23A	400V	A	32	63	160	200	400	630	800
	500V	A	32	63	160	200	400	630	800
	690V	A	32	63	160	200	400	630	800
Power dissipation (without fuse)	W/pole	2	4	9	8	30	46	75	
Max fuse power dissipation	in open air	W	3.5	7.5	12	17	45	60	65
	in enclosure	W	3.5	7.5	12	15	30	50	55
IEC rated operational power									
AC23A	400V	kW	15	30	75	110	220	355	450
	690V	kW	22	55	132	200	400	630	710
IEC short circuit protection									
Rated short-time current (1s) I _{cw}	kA rms	1	2.5	5	8	14	20	20	
Conditional short circuit current	kA rms	200							
With fuse	A/class	30/J-CC	60/J	100/J	200/J	400/J	600/J	800/L	
Making capacity AC23A 690V	A	320	630	1600	2000	4000	6300	8000	
Breaking capacity AC23A 690V	A	256	504	1280	1600	3200	6400	6400	
Mechanical life	cycles	10,000		8,000		5,000		3,000	
Min. electrical endurance (pf=0.75...0.8)	cycles	6000				1000		1000	500
Fuse-links bolts tightening torque	Nm	-	-	4	4	20	40	40	
Terminal lug kits		Built-in		GMX500	GMX501	GMX502	GMX504	GMX504	
Conductor section min...max	mm ²	1...10	2.5...25	2.5...70	25...150	35...300	2X35...600	2X35...600	
	AWG	18-8	14-4	14-2/0	4-300MCM	2-600MCM	(2)x2-600MCM	(2)x2-600MCM	
Conductor tightening torque	Nm	2	3.5	13.5	31	42.5	56.5	56.5	
	lb.in	17	30	120	275	375	500	500	
Terminal lugs tightening torque	Nm	-	-	5.5	8	27	54	54	
	lb.in	-	-	50	72	240	480	480	

AMBIENT CONDITIONS

Temperature	operating	°C	-25...+55					
	storage	°C	-40...+70					
Maximum altitude	m	3000						
Mounting position	normal	Vertical						
	admissible	Any						
Fixing		Screw or 35mm DIN rail (IEC/EN 60715)			Screw			

TECHNICAL DATA ACCORDING TO UL/CSA RATINGS

TYPE	3-pole	GMF...030...	GMFJ060...	GMFJ100C03	GMFJ200C03	GMFJ400C03	GMFJ600C03	GMFL800C03	
CHARACTERISTICS									
Compliance		UL98							
General purpose rating (≤40°C)	A	30	60	100	200	400	600	800	
Max operating voltage U _i	V	600							
Horsepower ratings/motor FLA current three-phase	240V	HP/A	7.5/22	15/42	30/80	60/154	125/312	200/480	250/602
	480V	HP/A	15/21	30/40	60/77	125/156	250/302	400/477	500/590
	600V	HP/A	20/22	50/52	75/77	150/144	350/336	500/472	600/472
		HP/A	20/22	50/52	75/77	150/144	350/336	500/472	600/472
Short circuit ratings	KA rms	200							
With fuse	A/class	30/J-CC	60/J	100/J	200/J	400/J	600/J	800/L	
Terminal lug kits		Built-in		GMX500	GMX501	GMX502	GMX504	GMX504	

12 Switch disconnectors

Technical characteristics
GA and GD series for photovoltaic applications

TYPE	3-pole	GA040D	GD025AT2	GD025AT3	GD032AT3	GD032AT4	GD040AT3	GD040AT4
	4th pole	GAX42040D	—	—	—	—	—	—
CONTACT CHARACTERISTICS								
IEC conventional free air thermal current I _{th} (≤40°C)	A	40	25	25	32	32	40	40
IEC rated insulation voltage U _i	V	1000	1000 / 1500 ^①					
IEC rated impulse withstand U _{imp}	kV	8						
IEC rated operational current I _e DC21B ^②								
	≤800V	A	—	25	25	32	32	40
	1000V	A	—	16	25	32	32	40
	①1200V	A	—	—	—	—	25	—
	①1500V	A	—	—	—	—	20	—
2 poles in series	300V	A	16	—	—	—	—	—
3 poles in series	48V	A	40	—	—	—	—	—
	110V	A	35	—	—	—	—	—
	220V	A	32	—	—	—	—	—
	500V	A	12	—	—	—	—	—
4 poles in series	400V	A	35	—	—	—	—	—
	440V	A	32	—	—	—	—	—
	500V	A	32	—	—	—	—	—
	600V	A	20	—	—	—	—	—
	700V	A	15	—	—	—	—	—
	750V	A	15	—	—	—	—	—
	800V	A	15	—	—	—	—	—
Power dissipation	w/pole	1.0	0.8		1.2		1.9	
Mechanical life	cycles	100,000				10,000		
Terminals	type	Mantle	Screw with washer					
	A mm	5.6	—					
	B mm	6.5	—					
	Screw	M4	—					
	Tool	Phillips 2	Phillips 1					
Tightening torque	Nm	1.8...2	1.2...1.6					
	lb.in	16...18	10...14					
Conductor section min.-max.	mm ²	0.75...16	1...10					
	AWG	18...6	18...8					
AMBIENT CONDITIONS								
Temperature	Operating	°C	-25...+55					
	Storage	°C	-40...+70					
Maximum altitude	m	3,000	2,000					
Mounting position	Normal		Vertical					
	Admissible		Any					
Fixing		Screw or 35mm DIN rail (IEC/EN 60715)						



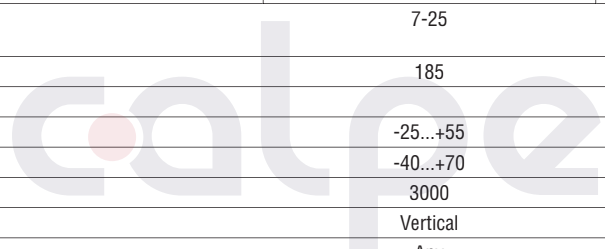
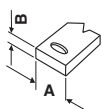
① 1000V pollution degree 3; 1500V pollution degree 2.
② For GD series refer to wiring diagrams on page 12-63.



12 Switch disconnectors

Technical characteristics
GE series for photovoltaic applications

TYPE	4-pole	GE0125DT4	GE0250DT4	GE0315DT4
CONTACT CHARACTERISTICS				
IEC conventional free air thermal current I _{th} (≤40°C)	A	125	250	315
IEC rated insulation voltage U _i	V		1000	
IEC rated impulse withstand U _{imp}	kV		8	
IEC rated operational current I _e DC21B				
48V	A	125	250	315
4 poles in series				
110V	A	125	250	315
220V	A	125	250	315
400V	A	125	250	315
440V	A	125	250	315
500V	A	125	250	315
600V	A	125	250	315
750V	A	125	250	290
800V	A	125	250	280
850V	A	125	240	270
900V	A	125	220	260
1000V	A	100	200	250
Mechanical life	cycles	20,000		
Terminals	type	Lug terminal or bars		
	A mm	20	25	25
	B mm	4	4	4
	screw	M8	M10	M10
Tightening torque	Nm	13	18	18
	lb.in	115	159	159
Max. bar size (thickness-width)	mm	7-25		
Max. conductor section	mm ²	185		
AMBIENT CONDITIONS				
Temperature	Operating	°C	-25...+55	
	Storage	°C	-40...+70	
Maximum altitude		m	3000	
Mounting position	Normal		Vertical	
	Admissible		Any	
Fixing			Screw	





12 Switch disconnectors

Technical characteristics
GE series for photovoltaic applications



	GE0630DT4	GE0800DT4	GE1250DT4
	630	800	1250
		1000	
		12	
	630	800	1250
	630	800	1250
	630	800	1250
	630	800	1250
	630	750	1250
	630	700	1250
	630	700	1250
	630	650	1050
	600	630	1000
	600	630	940
	600	630	870
	500	630	850
		10,000	
		Lug terminal or bars	
	30	30	40
	5	5	8
	M10	M10	M14
	24	24	45
	212	212	398
	2x 5-40 (thickness-width)	2x 5-40	2x 10-50
	2x240	2x240	2x300
		-25...+55	
		-40...+70	
		3000	
		Vertical	
		Any	
		Screw	