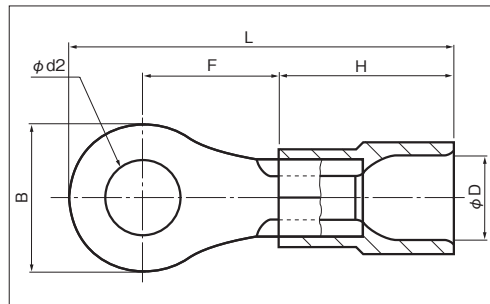


ENVIRONMENTALLY FRIENDLY INSULATED TERMINALS (R TYPE)



RoHS 10

See page 2

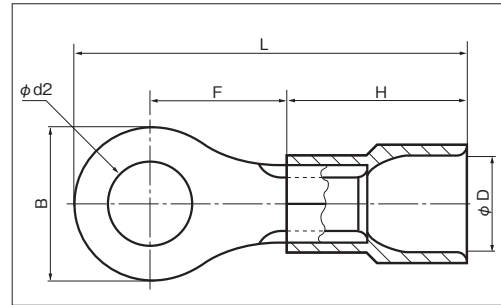
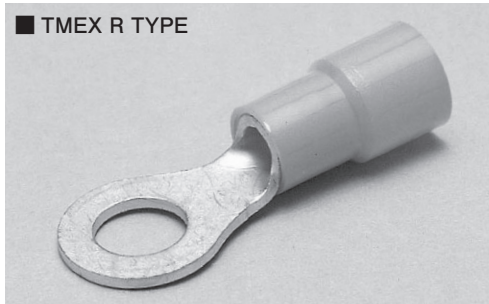
B

PART NUMBER	DIMENSIONS mm						WIRE RANGE		TOOL No.		STD COLOR	STD QTY/BOX
	phi d2	B	L	F	H	phi D	STRANDED mm ²	AWG	HAND TOOL No.			
									TOOL BODY No.	DIES No.		
TME 0.3-2 ○	2.2	5.2	17.5	4.9	10.0	2.8	0.2-0.5	24-20	NH 5		YELLOW	1,000 (100×10)
TME 0.3-3 ○	3.2		17.5	4.9					NH 32			
TME 0.3-3N ○			19.8	7.2					NA 10	N10 10		
TME 0.3-3.5 ○	3.7	6.6	20.5	7.2	10.0	4.1	0.3 ∩ 1.65	22-16	NH 11		RED	1,000 (100×10)
TME 0.3-4 ○	4.3	6.6	18.8	5.5					NH 32			
TME 0.3-5 ○	5.3	8.0	21.0	7.0					NA 10	N3 5		
TME 1.25-2 ○	2.2	5.5	17.5	4.7	10.0	4.1	0.3 ∩ 1.65	22-16	NH 11		RED	1,000 (100×10)
TME 1.25-2S ○	5.7	17.4	4.5	NH 32								
TME 1.25-3(RBD 1.25-3) ●	3.2	5.5	17.5	4.7					NA 10	N3 11		
TME 1.25-3N ○	3.2	5.6	20.4	7.6	10.0	4.6	1.04 ∩ 2.63	16-14	NH 12		BLUE	1,000 (100×10)
TME 1.25-3S ○	5.7	17.4	4.5	NH 32								
TME 1.25-3.5N ○	3.7	5.6	20.4	7.6					NA 10	N3 11		
TME 1.25-3.5S ○	3.7	5.7	17.4	4.5	10.0	4.6	1.04 ∩ 2.63	16-14	NH 12		BLUE	1,000 (100×10)
TME 1.25-3.5M ○	8.0	21.1	7.1	NH 32								
TME 1.25-3.5L ○	8.0	21.1	7.1	NA 10					N3 11			
TME 1.25-4S ○	4.3	6.6	18.8	5.5	10.0	4.6	1.04 ∩ 2.63	16-14	NH 12		BLUE	1,000 (100×10)
TME 1.25-4M ○	8.0	19.4	6.0	NH 32								
TME 1.25-4(RBD 1.25-4) ●	5.3	8.0	21.1	7.1					NA 10	N3 11		
TME 1.25-5(RBD 1.25-5) ●	5.3	8.0	21.1	7.1	10.0	4.6	1.04 ∩ 2.63	16-14	NH 12		BLUE	1,000 (100×10)
TME 1.25-6 ○	6.4	12.0	25.7	9.7					NH 32			
TME 1.25-8 ○	8.4	12.0	27.0	11.0					NA 10	N3 12		
TME 1.25-10 ○	10.5	16.5	30.5	12.2	10.0	4.6	1.04 ∩ 2.63	16-14	NH 12		BLUE	1,000 (100×10)
TME 2-2 ○	2.2	6.5	18.2	4.9					NH 32			
TME 2-3N ○	3.2	5.6	20.4	7.6					NA 10	N3 12		
TME 2-3S ○	3.2	5.7	17.8	4.9	10.0	4.6	1.04 ∩ 2.63	16-14	NH 12		BLUE	1,000 (100×10)
TME 2-3 ○	6.5	18.2	4.9	NH 32								
TME 2-3.5N ○	3.7	5.6	20.4	7.6					NA 10	N3 12		
TME 2-3.5NS ○	3.7	6.5	18.2	4.9	10.0	4.6	1.04 ∩ 2.63	16-14	NH 12		BLUE	1,000 (100×10)
TME 2-3.5(RBD 2-3.5) ●	6.6	19.9	6.6	NH 32								
TME 2-3.5S ○	6.6	20.9	7.6	NA 10					N3 12			
TME 2-3.5M ○	8.0	21.5	7.5	10.0	4.6	1.04 ∩ 2.63	16-14	NH 12		BLUE	1,000 (100×10)	
TME 2-4S ○	4.3	6.6	19.9					6.6	NH 32			
TME 2-4M ○	8.0	21.5	7.5					NA 10	N3 12			
TME 2-4(RBD 2-4) ●	5.3	8.5	22.0	7.7	10.0	4.6	1.04 ∩ 2.63	16-14	NH 12		BLUE	1,000 (100×10)
TME 2-5M ○	8.0	21.5	7.5	NH 32								
TME 2-5(RBD 2-5) ●	9.5	22.5	7.7	NA 10					N3 12			
TME 2-6(RBD 2-6) ●	6.4	12.0	27.0	11.0	10.0	4.6	1.04 ∩ 2.63	16-14	NH 12		BLUE	1,000 (100×10)
TME 2-8(RBD 2-8) ●	8.4	12.0	27.0	11.0					NH 32			
TME 2-10 ○	10.5	15.0	30.0	12.5					NA 10	N3 12		
TME 2-12 ○	13.0	19.0	34.0	14.5	10.0	4.6	1.04 ∩ 2.63	16-14	NH 12		BLUE	500 (50×10)
									NH 32			
									NA 10	N3 12		

NOTE

- : UL · C-UL
- Please refer to page 41 for proper strip length of wire
- Transparent insulator is also available.

ENVIRONMENTALLY FRIENDLY INSULATED TERMINALS (R TYPE)



RoHS10
See page 2

PART NUMBER	DIMENSIONS mm					WIRE RANGE		TOOL No.		STD COLOR	STD QTY/BOX	
	φ d2	B	L	F	H	φ D	STRANDED mm ²	AWG	HAND TOOL No.			TOOL BODY No.
TME 3.5-4S	4.3	7.0	25.5	8.0	14.0	6.3	2.63 } 4.6	12	NH 13		YELLOW	50
TME 3.5-4 ○		8.0	26.0									
TME 3.5-5N ※		8.0	26.0									
TME 3.5-5S ○	5.3	9.6	28.0	9.2	14.0	6.3	2.63 } 4.6	12	NH 13		YELLOW	50
TME 3.5-5L ○		12.0	29.4	9.4								
TME 3.5-6	6.4	9.6	28.0	9.2	14.0	6.3	2.63 } 4.6	12	NH 13		YELLOW	50
TME 3.5-6L ○		12.0	29.4	9.4								
TME 3.5-8 ○	8.4	13.5	33.5	12.7	14.0	6.3	2.63 } 4.6	12	NA 10 NA 3	N10 13 N3 13	YELLOW	50
TME 5.5-3M ※ ○	3.2	6.5	24.4	7.2	14.0	6.8	2.63 } 6.64	12-10	NH 13		YELLOW	50
TME 5.5-3N ※ ○		7.0	24.7									
TME 5.5-3S ※ ○		9.0	25.7									
TME 5.5-3.5N ※ ○	3.7	7.0	24.7	7.2	14.0	6.8	2.63 } 6.64	12-10	NH 13		YELLOW	50
TME 5.5-3.5S ※ ○		9.0	25.7									
TME 5.5-3.5 ○	3.7	9.5	27.0	8.2	14.0	6.8	2.63 } 6.64	12-10	NH 13		YELLOW	50
TME 5.5-4N ※ ○		7.0	24.7	7.2								
TME 5.5-4S ※ ○	4.3	9.0	25.7	7.2	14.0	6.8	2.63 } 6.64	12-10	NH 13		YELLOW	50
TME 5.5-4 (RBD 5.5-4) ●		9.5	27.0									
TME 5.5-5N ※ ○	5.3	8.0	25.2	7.2	14.0	6.8	2.63 } 6.64	12-10	NH 13		YELLOW	50
TME 5.5-5S ※ ○		9.0	25.7									
TME 5.5-5 (RBD 5.5-5) ●	5.3	9.5	27.0	8.2	14.0	6.8	2.63 } 6.64	12-10	NH 13		YELLOW	50
TME 5.5-6S ※		9.0	30.5	12.0								
TME 5.5-6 (RBD 5.5-6) ●	6.4	12.0	30.5	10.5	14.0	6.8	2.63 } 6.64	12-10	NH 13		YELLOW	50
TME 5.5-8S ※		13.2	29.6	9.0								
TME 5.5-8 (RBD 5.5-8) ●	8.4	15.0	35.5	14.0	14.0	6.8	2.63 } 6.64	12-10	NH 13		YELLOW	50
TME 5.5-10 (RBD 5.5-10) ●		10.5	35.5	14.0								
TME 5.5-12 ○	13.0	19.2	40.0	16.4	14.0	6.8	2.63 } 6.64	12-10	NA 10 NA 3	N10 13 N3 13	YELLOW	25
TME 5.5-14 ○	15.0	22.0	43.0	18.0	14.0	6.8	2.63 } 6.64	12-10	NA 10 NA 3	N10 13 N3 13	YELLOW	25

NOTE

- : UL · C-UL
- Please refer to page 41 for proper strip length of wire
- Transparent insulator is also available.
- ※Specification is partly different from other ring terminals.

FEATURES

- Excellent for insulation with Rated Voltage of 600V
- Temperature range: -40°C ~ 125°C
- Its polycarbonate material will not generate poisonous halogenic gas and/or corrosive gas when combusted.
- RoHS SOC 10 Compliant.
- 2 Standard colors available for each size:
1.25mm²(red & clear)·2mm²(blue & clear)·5.5mm²(yellow & clear)