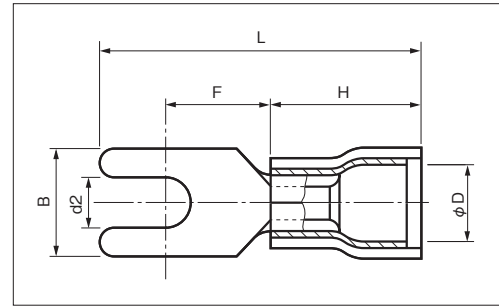
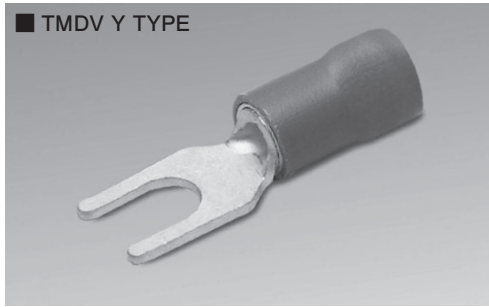


# INSULATED SPADE TERMINALS WITH EXTRA COPPER SLEEVE (Y TYPE) TMDV : Vinyl



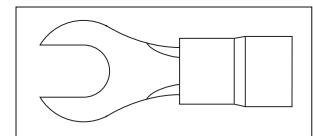
**RoHS 6**  
See page 2

Non stock item

PART NUMBER	DIMENSIONS mm						WIRE RANGE		TOOL No.		STD COLOR	STD QTY/BOX						
	d2	B	L	F	H	φD	STRAINED mm <sup>2</sup>	AWG	HAND TOOL No.									
									TOOL BODY No.	DIES No.								
<b>TMDV 1.25Y-2.5</b> ○	2.7	4.7	17.2	5.1	10.0	4.0	0.3 } 1.65	22-16	NH 11 NH 32	RED	1,000 (100×10)							
<b>TMDV 1.25Y-3K</b> ○		5.6	20.5	5.8														
<b>TMDV 1.25Y-3S</b> ○	3.2	5.7	17.9	4.8														
<b>TMDV 1.25Y-3</b> ○		5.8		5.8														
<b>TMDV 1.25Y-3N</b> ○			20.5	6.6														
<b>TMDV 1.25Y-3.5K</b> ○	3.7	5.6		5.8														
<b>TMDV 1.25Y-3.5</b> ○		5.8																
<b>TMDV 1.25Y-3L</b> ○		6.2	21.5	6.8														
<b>TMDV 1.25Y-4N</b> ○	4.3	6.4		6.6														
<b>TMDV 1.25Y-4S</b> ○		7.0	21.9	7.6														
<b>TMDV 1.25Y-4M</b> ○		8.1		7.5														
<b>TMDV 1.25Y-4L</b> ○		9.6	23.0	8.3														
<b>TMDV 1.25Y-5</b> ○	5.3	9.6	23.0	8.3												NA 10	N10 21	
<b>TMDV 1.25Y-6</b> ○	6.4	11.0	24.5	8.6														
<b>TMDV 2Y-3</b> ○	3.2	5.9	21.3	6.6	10.0	4.3	1.04 } 2.63	16-14	NH 12 NH 32	BLUE	1,000 (100×10)							
<b>TMDV 2Y-3.5S</b> ○		5.8																
<b>TMDV 2Y-3.5</b> ○	3.7	6.4										7.6						
<b>TMDV 2Y-3.5L</b> ○																		
<b>TMDV 2Y-4N</b> ○	4.3		6.6															
<b>TMDV 2Y-4S</b> ○		7.0	21.5	7.0														
<b>TMDV 2Y-4</b> ○		8.0		7.1														
<b>TMDV 2Y-4M</b> ○		10.0	22.6	8.7														
<b>TMDV 2Y-5</b> ○	5.3	8.0	21.5	7.1														
<b>TMDV 2Y-5M</b> ○		10.0	22.6	8.7														
<b>TMDV 2Y-5L</b> ○			23.5	8.5														
<b>TMDV 2Y-6</b> ○		6.4	12.0	25.5								8.6						
<b>TMDV 2Y-8</b> ○	8.4	14.0	27.5	11.5												NA 10	N10 22	
<b>TMDV 5.5Y-4S</b> ○	4.3	8.4	25.7	7.2								14.0	6.0	2.63 } 6.64	12-10	NH 13	YELLOW	100
<b>TMDV 5.5Y-4</b> ○		9.0																
<b>TMDV 5.5Y-5</b> ○		5.2			9.0													
<b>TMDV 5.5Y-6</b> ○	6.4	12.5	32.7	12.0				NA 10	N10 23									

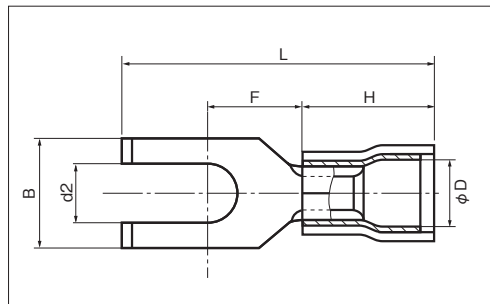
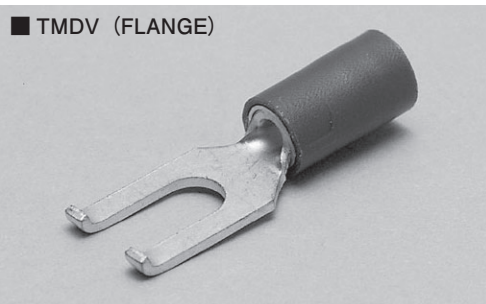
NOTE

- : UL/CSA
- Refer to page 41 for UL/CSA, proper strip length of wire and Nylon insulated products.
- TMDEN Type is also available, see page 42.
- Tongue shape of 1.25Y-3S is shown on the right.





# INSULATED SPADE TERMINALS (Y TYPE) TMEV : Vinyl



**RoHS 6**  
See page 2

Non stock item

PART NUMBER		DIMENSIONS mm						WIRE RANGE		TOOL No.		STD COLOR	STD QTY/BOX
		d2	B	L	F	H	φD	STRANDED mm <sup>2</sup>	AWG	HAND TOOL No.	TOOL BODY No.   DIES No.		
<b>1.25Y-3W</b>	○	3.7	7.7	19.5	5.6	10.0	4.0	0.3	22-16	NH 11 NH 32		RED	1,000 (100×10)
<b>TMDV 1.25Y-4W</b>	○	4.3						1.65		NA10	N10 21		
<b>1.25Y-5W</b>	○	5.3											
<b>2Y-3W</b>	○	3.7	8.0	24.0	7.3	10.0	4.3	1.04	16-14	NH 12 NH 32		BLUE	1,000 (100×10)
<b>TMDV 2Y-4W</b>	○	4.3						2.63		NA10	N10 22		
<b>2Y-5W</b>	○	5.4											

NOTE

- : UL/CSA
- Refer to page 41 for UL/CSA, insulator material/color, proper strip length of wire.
- TMDEN Type is also available, see page 42.

